



TECHNICAL TARGET



MULTIFARIOUS ACTIVITIES IN SUPPLY & MAINTANANCE OF LABORATORY FURNITURE, CIVIL, GAS, ELECTRICAL, MECHANICAL, ETC.

email: technical.target@hotmail.com

TECHNICAL TARGET

**Motto: Achieve Beyond the Best
(Breath & Live with the Project)**

Technical Target - Committed for Quality, Safety & Perfection

Technical Target - an organization which has thorough professional's -with many decades of versatile experiences in Laboratory Projects, such as Supply, Install & Maintain the Lab Furniture; besides its related scopes such as Pre-Civil, Electrical, Mechanical, Plumbing, Gas connections etc. Executed many projects for Clinics & Hospitals, Universities, Oil & Petroleum Industries, Schools, etc.

Technical Target - has in-house designing facilities to meet out the needs of clients, with professional planning combined with modern production techniques - design / adjusting the designs and return back to the client very quickly.

Quality and Safety are the top priorities, besides supply, install & executing. Offer pre-sales planning, free consultation & design, professional installation. As a part of after sales service, after completion of the project visit the client / projects on regular basis and ensure customer satisfaction.

Infrastructure:

1. Located in the heart of the industrial city of musaffah, Abu Dhabi
2. Have tie-up with Laboratory Furniture manufacturers of UAE & Overseas to better suit the needs of clients.
3. Have In-House design facilities to make design and to expedite changes/corrections as & when needed by client.
4. Staff / Workers having more than decades of experience in the laboratory furniture industry that too in UAE

Specialities:

1. Can attend/meet client with short notice.
2. Approachable 24/7/365.

INDEX

1. Floor Mounted Cabinet System
2. H-Frame System
3. C-Frame System
4. Fume Cupboard
4. Worktops & Sinks
5. Extraction Arms & Fittings
6. Emergency Shower & Eye wash
7. Toilet Cubicle
8. Hospital Furniture Samples
9. Laboratory Design Samples





Floor Mounted Cabinet System

In this system, the advantage is that it doesn't need frame work as the cabinets are directly mounted on the floor. All cabinets are mounted on 100mm height.

Worktops, Sinks & Services:

The worktops, sinks and the services can be selected to best suit to the applications & usage.

Core Material: 18 mm thick Water Boiled-Proof Plywood (WPB); Furniture Grade Plywood for Cabinets body; Door and Drawer Front (Adjustable & Fixed Shelf). Back sheets with 6mm thick, Drawer Bottom & Back are with 12mm thick.

Laminate: Door/Drawer front 0.9mm thick melamine (hot pressed) texture finish.

Colors: Various colors available to suit the ambience of the lab & to the interest of the client. Side/Back/Top/Bottom/Inside: 0.7mm thick (hot pressed) matt finish - White Color

Edging: 3mm thick PVC edging, hot-melt glued for Door & Drawer with 0.5mm thick edging.

Hinges:- Corroton proof, clip-on, self closong hinges, opening up to 170° adjustable in three directions.

Grabrail:- Extruded aluminium grabrail, powder coated as per client's choice of color.



LABORATORY FURNITURE



H-Frame System

This H-frame system is mainly used to carry heavy loads of Lab Equipment. The work tops are placed on 30x30x2mm thick powder coated metal frames. The height can be adjusted up to 25 mm.

Worktops, Sinks & Services:

The worktops, sinks and the services can be selected to best suit to the applications & usage.

Core Material: 18 mm thick Water Boiled-Proof Plywood (WPB); Furniture Grade Plywood for Cabinets body; Door and Drawer Front (Adjustable & Fixed Shelf). Back sheets with 6mm thick, Drawer Bottom & Back are with 12mm thick.

Laminate: Door/Drawer front 0.9mm thick melamine (hot pressed) texture finish.

Colors: Various colors available to suit the ambience of the lab & to the interest of the client. Side/Back/Top/Bottom/Inside: 0.7mm thick (hot pressed) matt finish - White Color

Edging: 3mm thick PVC edging, hot-melt glued for Door & Drawer with 0.5mm thick edging.

Hinges:- Corrosion proof, clip-on, self closing hinges, opening up to 170° adjustable in three directions.

Grabrail:- Extruded aluminium grabrail, powder coated as per client's choice of color.





C-Frame System

This H-frame system is mainly used to carry heavy loads of Lab Equipment. The work tops are placed on 30x30x2mm thick powder coated metal frames. The height can be adjusted up to 25 mm.

Worktops, Sinks & Services:

The worktops, sinks and the services can be selected to best suit to the applications & usage.

Core Material: 18 mm thick Water Boiled-Proof Plywood (WPB); Furniture Grade Plywood for Cabinets body; Door and Drawer Front (Adjustable & Fixed Shelf). Back sheets with 6mm thick, Drawer Bottom & Back are with 12mm thick.

Laminate: Door/Drawer front 0.9mm thick melamine (hot pressed) texture finish.

Colors: Various colors available to suit the ambience of the lab & to the interest of the client. Side/Back/Top/Bottom/Inside: 0.7mm thick (hot pressed) matt finish - White Color

Edging: 3mm thick PVC edging, hot-melt glued for Door & Drawer with 0.5mm thick edging.

Hinges:- Corroton proof, clip-on, self closong hinges, opening up to 170° adjustable in three directions.

Grabrail:- Extruded aluminium grabrail, powder coated as per client's choice of color.



FUME CUPBOARD

SPECIFICATION

FC – 1200/1500/1800 Dimensions:

1200/1500/1800(L) x 900(D) x 2400(H) mm

Outer Upper body:

Made from 18 mm thick Melamine Laminated Plywood.

Front Sash :

Made from 6mm thick tempered clear glass with flexible counter weight pulley system for easy opening and closing mechanism.

Internal Lining :

Made of acid / chemical resistant, water and scratch proof Compact Laminate.

Worktop:

Made from 19 mm thick Epoxy with spill control edge.

Storage Cabinets:

Under bench storage cabinets for storing chemicals made from compact laminate.

Frames:

Heavy duty cantilever frame – made mild steel Epoxy powder coated.

Services & Fittings:

2 no double electric outlet 13 Amp.

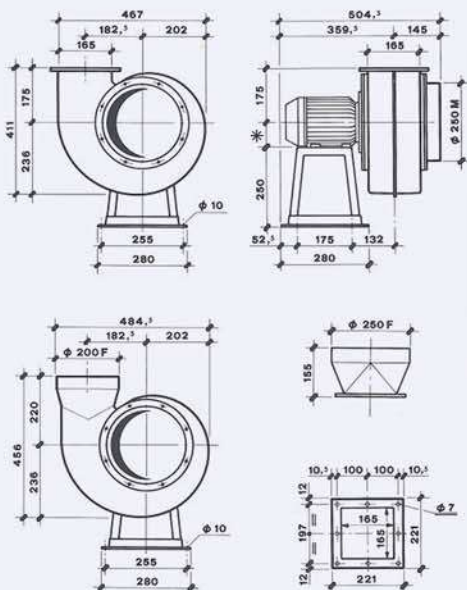
1 no single water outlet.

1 no epoxy resin sink (drip cup)

1 no Lpg gas outlet.



Exhaust Blower Details & Dimensions



Accessories:

Fan and motor. Poly Propylene ducting to service outlet.
Internal task light with outside control switch.

Power Supply:- 220 V/240 V AC

Exhaust Blower:

Entirely injection molded – Poly Propylene UV resistant adjustable fan house. Poly propylene wheel, fitted to a graphitized nylon hub. Nylon 66 motor base, for the B3/B5 models. Single phase with protection IP55.

Exhaust Blower Technical Details

Type	Qm ³ /h	HT mmH ₂ O	HS mm H ₂ O	KW	HP	G/min RPM	d BA	Kg.	Kg. EEx-d
	700	21	18	0.185	0.25	915	57	13	23
	1300	17	6				60		
VSB23	1000	50	43	0.55	0.75	1450	58	15	57
	1500	47	32				62		
	2000	39	13				66		



WORKTOPS

We offer a wide range of worktops to suit for all application, requirements and budget.

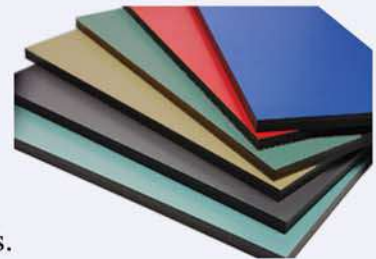
Epoxy



Enhanced Epoxy resin counter-top material, with hard, durable and excellent chemical resistant characteristics. Epoxy Sinks and Dripcups are used with above worktops in order to assure superior performance.

Compact Laminate

Compact Laminate with good extent of chemical resistant, a high pressure laminate available in thickness from 4mm to 25mm in various colors, is very strong & a versatile high performance material.



Compact Laminates are ideally used for:

Use in places of heavy duty usage such as laboratories and similar areas.
Usage in Swimming Pool Change Rooms, Shower Cubicles, Airport Toilets, etc.
Use in areas where hygiene is critical like food preparation areas.

Acrylic Solid Surface



Acrylic tops are used where hygiene and aesthetic are the prime concern. Acrylic tops can have seamless joints and curves (without visible joints). They are also used for reception counters; nursing stations etc. a wide range of colors, designs with optimum finish.

Acrylic Sinks, also, are installed with no visible joints.

Melamine Laminated Plywood



Economical solution for acid resistant worktop is 'Melamine Laminated Plywood'. Thickness of the core material can be selected according to the application. The laminate available 0.9 mm thick with a wide range of colours. 3 mm thick PVC edging is used for covering the edges.



SINKS

PROFESSIONAL LABORATORY SINKS SERIES

Adopt high grade PP with thickness 5mm, resistant to acid, alkali & organic impregnan.



PP SINK



CUP SINK



PP SINK



BOTTLE TRAP



CUP SINK

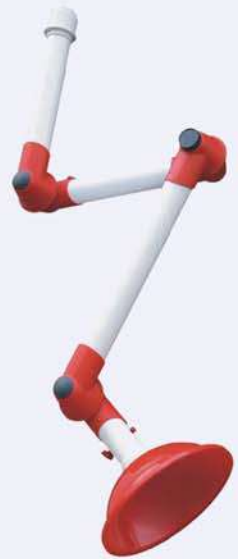


DRAINER



FUME EXHAUST - EXTRACTION ARMS

- 1 Type :
 - Ceiling mounting ϕ 88-3/550-450 HMS-PC
 - Wall mounting ϕ 88-3/550-450 HM-PC
 - Deck mounting ϕ 88-3/350-350 BM-PC
 - 2 Exhaust arm:
 - Includes ϕ 88mm outfall pipe, plated with aluminium.
 - 3 Joint:
 - With 3 joints made of polycarbonate, each joint can turn 360° and can be detachable.
- Finger screw:
Made in polycarbonate, insert into brass nuts, that can lock once mounted.
- Mounted:
Stainless steel #304, latch is non-removable and non adjustable, that can be locked at the joints.
- Spring:
Plated with zinc and stainless steel.
- Washer:
Made in washer
- Air flow valve:
Come with rounded joint, can adjust by hand. Control of air flow and valve angle by outside hand work.
- 4 Fume extraction:
 - Include 88-400/mm polycarbonate limpidity round pipe (diameter) in the bottom of the exhaust arm, can be detachable and washed easily.
 - 5 Ceiling column and material:
 - Plated with zinc and stainless steel. Painted with EPOXY, resistant acid.Explanation: To fit laboratory safety required, use non-bumablelastic.



WATER FLOW FAUCET SERIES

Adopt pure brass, By acidprood alkali powder paint hot solid disposal, prevents sour alkali, endures cauterization.

Handle is adopted with imported ceramic headwork. resistant to most chemicals.

Water Outlet is made in brass or PP, Possesses slow down press effect, can disassemble washing, at random replacings vaporous water outlet.

Gooseneck Spout: 360° swing.

Executes Standards

Joint: G3/8, G1/2 & G3/4 accords with standard UNI ISO228/1

Water outlet: accords with standard KIN12898

Max. work pressure: 10 bar

Handle indication accords with standard DIN12920

Noise accords with standard DIN4109

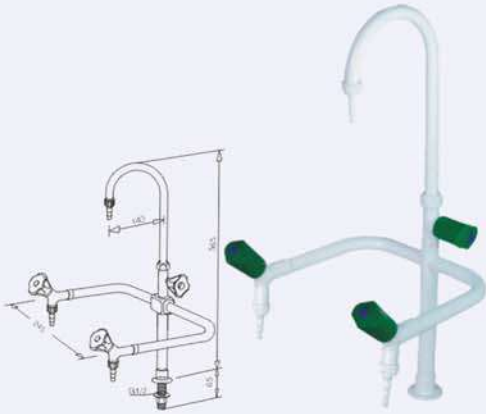
Safety indication accords with standard DIN1988



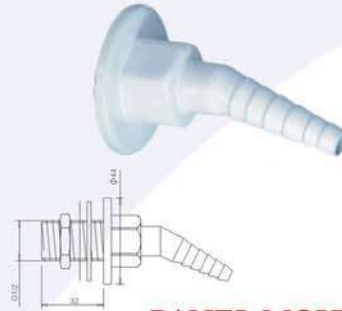
TRIPLE OUTLET FAUCET WITH
STAY-OPEN BALL VALVE



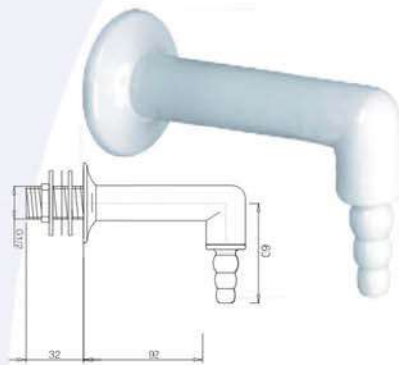
FITTINGS



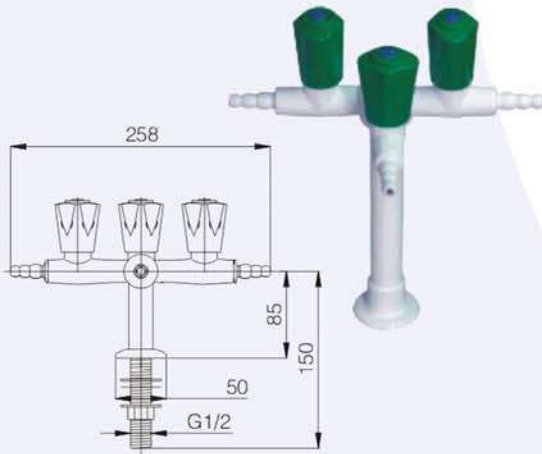
TRIPLE OUTLET FAUCET



PANEL MOUNTED, REMOTE CONTROL OUTLET: WATER



PANEL MOUNTED, REMOTE CONTROL OUTLET: WATER



DECK MOUNTED, TRIPLE OUTLET FAUCET



SENSOR FAUCET

GAS FITTINGS SERIES

Adopt pure brass, By acidproof alkali powder paint hot solid disposal, prevents sour alkali, endures cauterization.

Handle is adopted with imported ceramic headwork. Resistance to abrasion, endures cauterization Possesses safety, prevents mistake touch valve blow, but results in danger.

Standards

Handle indication accords with standard DIN12920

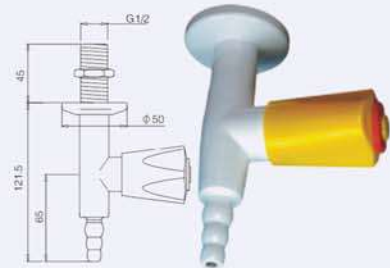
Joint: G3/8, G1/2 accords with standard UNI ISO228/1

Water outlet: accords with standard KIN12898

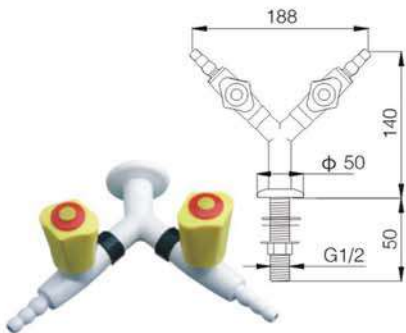
Noise accords with standard DIN4109

Safety indication accords with standard DIN1988

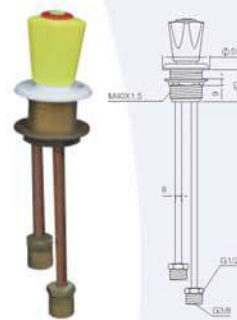
Max. work pressure: 10 bar



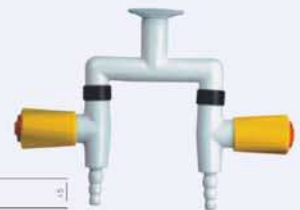
**SUSPENDED MOUNTED,
SINGLE OUTLET GAS FITTING**



**SLANTING MOUNTED, DOUBLE
OUTLET GAS FITTING**



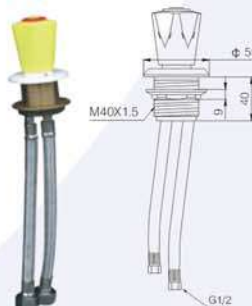
**REMOTE CONTROL
VALVE: GAS**



**SUSPENDED MOUNTED,
DOUBLE OUTLET GAS FITTING**



**PANEL MOUNTED,
SINGLE OUTLET GAS FITTING**



**REMOTE CONTROL
VALVE: GAS**



EMERGENCY SHOWER & EYEWASH

Emergency shower & Eye Wash series are manufactured as per standard CE-DIN12899-UNI9608. Its product feature is someone can immediately clear off when he accidentally meets as sour, industry solvent or causticity product's hurt.

Product surface acidproof and endure cauterization. Pipe adopts stainless steel administer, all connects are made in copper, in wall rust prevention.

Shower nozzle mantle is 70 rubber soft protecting cup in order to avoid resulting in collide two time hurt when use it in emergency time. Protecting cup mantle possesses dust prevention. Can be cleaned when usage and debases suddenly time fugacious high hydraulic pressure, prevent hurting eyes.

Standards

Require to use G1 pipe to connect with drink water pipe.

Min. water pressure: 4KG

Water flow: Single outlet eye wash : 6L/Min.

Double outlet eye wash : 10L/Min.

Shower : 30L/Min.



Deck Mounted, Double Outlet Eye Wash



Project - Well Health Care Center, Abu Dhabi



Double Outlet Eye Wash



Single Eye Wash



TECHNICAL SPECIFICATIONS:

PANELS:

Wet area panels are water resistant . Overhead railing is made of high quality extruded aluminum profile covering the entire length of the front for high stability. A rounded aluminum U profile is used to connect the panels to the wall. All fixing channels and angle are in powder coated aluminum in RAL9016 (Black).

Locksets:

Nylon thumb turn with indicator disc in red/blue and inside lever.

Hinges:

Nylon cubicles gravity hinge comes with self-opening and closing features.

Toilet paper Holder and Coat Hook:

Nylon finish secured against theft.

Pilaster Footing:

Nylon adjustable foot with or without anchor fixing. Available also in

ACCESSORIES

Made from heavy duty Nylon (Polymade) taht is hhygienic, anti-static, scratch proof, and highly resistant to wear-and-tear and cleaning solutions with diluted acidic content



STAINLESS STEEL ACCESSORIES



SS Indicator Bolt I



SS Indicator Bolt II



SS Shoe



SS Self closing gravity



SS Butterfly Hinge



SS Coat Hook



SS Toilet Paper Holder

LOCKERS

Technical Specifications:

Locker door panels are made of 13mm HPL.

Side panel, divider, top, and bottom panels are made of 10mm HPL white color.

Back panel is made of 6mm MDF.

Lockers are reinforced with high quality epoxy powder coated extruded Aluminum.

Locker Base:

Made of epoxy powder coated steel.

Standard fittings and hardware are:

Hanger Rod.

Lock Set.

Number System.

Coat Hook.



HOSPITAL FURNITURE SAMPLES



LABORATORY DESIGN SAMPLES





TECHNICAL TARGET LLC

Mussaffah Industrial City

Abu Dhabi, UAE

P.O.Box 91289

email: technical.target@hotmail.com

Mobile: 0507879226, 0505789778

www.technicaltarget.com