



Fountain & Swimming Pool People



PEARL POOL TRADING L.L.C.

بييرل بول للتجارة ش.ذ.م.م



COMPONENTS FOR ARCHITECTURAL FLOW
CATALOG: 2018 - 2019



PEARL POOL

Trendy collection and technical proficiency keep us in the lead as prime producers and exporters of swimming pool & fountain equipment's. Our creative touch brings to realization any dream that you nurture about swimming pools & fountains. Our strength lies not in the 4 decades of enterprise but in the tradition of hard-won experience.

We ensure perfection in design, production and distribution to any requisite your mind conceives.

We lead the market with the best in quality and precision.

We are ahead of the times in perception, technical perfection and proficient personnel.

Unified endeavour is the sure way to success. That is our strength.

Customer satisfaction is vital for progress. That too is our strength.

Any enterprise founded on innovative ideas and qualitative merit reaches out to success. That is again our strength.

Managing Director

For more details please visit
www.pearlpoolfountain.ae



PEARL POOL TRADING L.L.C.

Fountain & Swimming Pool People



ADJUSTABLE CLEAR STREAM JETS

PF 1000 SERIES SINGLE JET NOZZLES



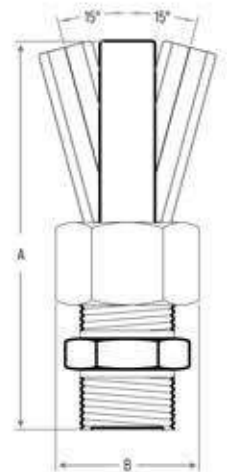
DESIGN/ APPLICATION DATA

Small tapered ADJUSTABLE CLEAR STREAM NOZZLES develops display with a minimum of distortion. Designed for precision use with spray ring. This nozzles are usually arranged in a group.

An internal flow straightener now comes standard for nozzles size from 3/8" to 1½" inlets. This little accessories important for more solid looking water stream and more efficient use of the pump's head.

SPECIFICATION DATA

Material of construction is brass with swivels adjustable connection.
Also available in Stainless Steel 316.



HYDRAULIC DATA

Model No.	BSP	Orifice in mm	Dimension A (mm)	Dimension B (mm)		Stream Height in Meter												
						1.0	1.5	2.0	2.5	3.0	3.5	4.0	5.0	6.0	7.0	8.0	9.0	
PF 1008	1/8"	3	43	12	LPM	1.65	2.30	2.80	3.30	3.80	4.30	4.60						
					Head in Mtr	1.25	1.85	2.45	3.10	3.70	4.30	5.00						
PF 1009	1/4"	3	50	16	LPM	1.65	2.30	2.80	3.30	3.80	4.30	4.60						
					Head in Mtr	1.25	1.85	2.45	3.10	3.70	4.30	5.00						
PF 1010	3/8"	4.75	58	19	LPM	5.60	6.50	7.50	8.30	9.20	10.00	12.30						
					Head in Mtr	1.25	1.85	2.45	3.10	3.70	4.30	5.00	6.10					
PF 1011	1/2"	6.35	88	25	LPM	11	14	16	19	21	23	25	27					
					Head in Mtr	1.25	1.85	2.45	3.10	3.70	4.30	5.00	6.10					
PF 1012	3/4"	10	108	35	LPM	21	27	31	35	38	42	47	52	58				
					Head in Mtr	1.25	1.85	2.45	3.10	3.70	4.30	5.00	6.10	7.35				
PF 1013	1"	14	114	40	LPM	44	55	65	73	81	87	94	105	116	125	134	143	
					Head in Mtr	1.25	1.85	2.45	3.10	3.70	4.30	5.00	6.10	7.35	8.55	9.80	11.00	
PF 1015	1 1/2"	19	159	57	LPM	87	110	128	144	159	170	185	206	225	245	264	280	
					Head in Mtr	1.25	1.85	2.45	3.10	3.70	4.30	5.00	6.10	7.35	8.55	9.80	11.00	

HIGH JETS

PF 1000 SERIES HIGH JET NOZZLES



DESIGN / APPLICATION DATA:

Aquascape High Jet Nozzle is special nozzle that is used to achieve greater fountain height, preferred in Floating and lake fountains. PF 1000 Series high Jet nozzle have built in Adjustable Flanges.

- Clear wind stable and full stream jet
- Independent from the water level
- For greater fountain Height

SPECIFICATION DATA:

Material of construction is Bronze with Adjustable Flanges.

OPERATING DATA:

Noise	: Moderate
Visibility	: Excellent
Splash/Mist	: Low to moderate
Wind Stability	: Good
Aeration Quality	: Good



PF 1048



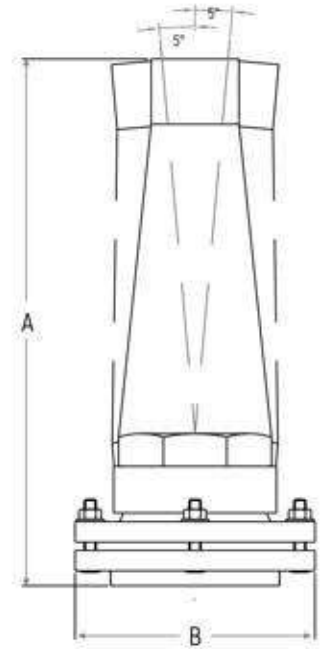
PF 1049



PF 1050



PF 1051



HYDRAULIC DATA

Model No.	BSP	Orifice in mm	Dimension A (mm)	Dimension B (mm)		Stream Height in Meter										
						2	3	4	5	6	8	10	15	20	25	30
PF 1048	1 1/4"	19	200	101	LPM	128	159	185	206	225	264					
					Head in Mtr	2.50	3.75	4.90	6.20	7.50	9.80					
PF 1049	2"	30	253	118	LPM	270	324	397	486	540	684	792				
					Head in Mtr	2.50	3.75	4.90	6.20	7.50	9.80	12.40				
PF 1050	3"	45	315	161	LPM	550	673	871	990	1227	1483	1662	1939	2175		
					Head in Mtr	2.50	3.75	4.90	6.20	7.50	9.80	12.40	18.30	24.60		
PF 1051	4"	55	412	186	LPM	1007	1259	1547	1799	2230	2661	2985	3489	3956	4292	4855
					Head in Mtr	2.50	3.75	4.90	6.20	7.50	9.80	12.40	18.30	24.60	32.00	36.00

VULCAN FIX JETS

PF 1100 SERIES MULTI JET NOZZLES



DESIGN / APPLICATION DATA:

A sparkling and unique triple – tiered effect of clear streams. Ideal for small and medium sized displays. No constant water level is required.

SPECIFICATION DATA:

Material of construction is cast bronze with removable cap for easy cleaning.

OPERATING DATA:

Noise	: Low
Visibility	: Moderate
Splash/Mist	: Poor
Aeration Quality	: Poor



PF 1101



PF 1103



PF 1106



PF 1101



PF 1102



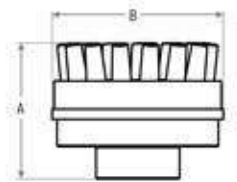
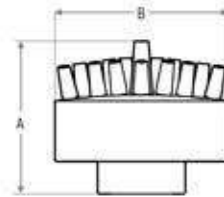
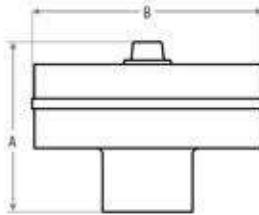
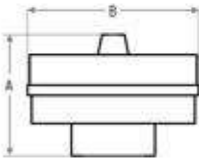
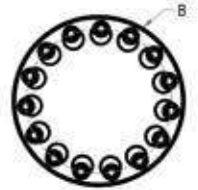
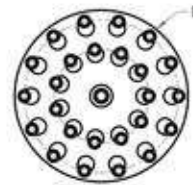
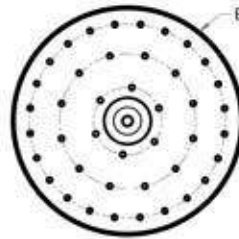
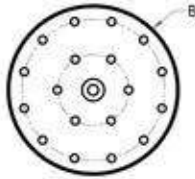
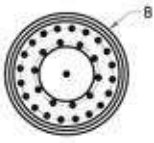
PF 1103



PF 1104



PF 1106



HYDRAULIC DATA

Model No.	BSP	Nos of Jets	Dimension A (mm)	Dimension B (mm)	Orifice in mm	Stream Height in Meter								
						0.50	1.00	1.50	2.00	2.50	3.00	3.50	4.00	
PF 1101	1/2"	31	70	60	31@2.00	LPM	25	40	50					
						Head in Mtr	0.60	1.50	2.00					
PF 1102	1"	19	60	84	1@5.00	LPM	25	40	50	58	65	72		
					18@3.96	Head in Mtr	0.60	1.50	2.00	2.60	3.25	4.00		
PF 1103	1"	43	87	114	1@5.00	LPM	62	78	90	101	115	125	140	
					42@2.80	Head in Mtr	1.50	2.00	2.60	3.25	4.00	4.50	5.20	
PF 1104	1"	26	76	85	1@6.50	LPM	65	81	95	110	125	135	150	
					25@3.80	Head in Mtr	1.50	2.00	2.60	3.25	4.00	4.50	5.20	
PF 1106	1"	15	72	84	15@4.00	LPM	35	40	50	55	65	75	80	
						Head in Mtr	1.50	2.00	2.60	3.25	4.00	4.50	5.20	

VULCAN ADJUSTABLE JETS

PF 1100 SERIES MULTI JET NOZZLES



DESIGN / APPLICATION DATA:

A sparkling and unique triple - tiered effect of clear streams. Ideal for small and medium sized displays. No constant water level is required.

SPECIFICATION DATA:

Material of construction is brass and cast bronze with adjustable nozzles and removable cap for easy cleaning.

OPERATING DATA:

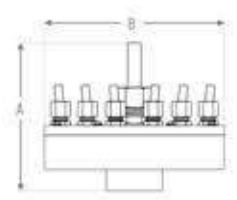
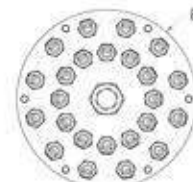
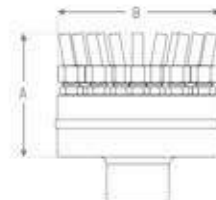
Noise : Low
 Visibility : Moderate
 Splash/Mist : Poor
 Aeration Quality : Poor



PF 1105



PF 1107

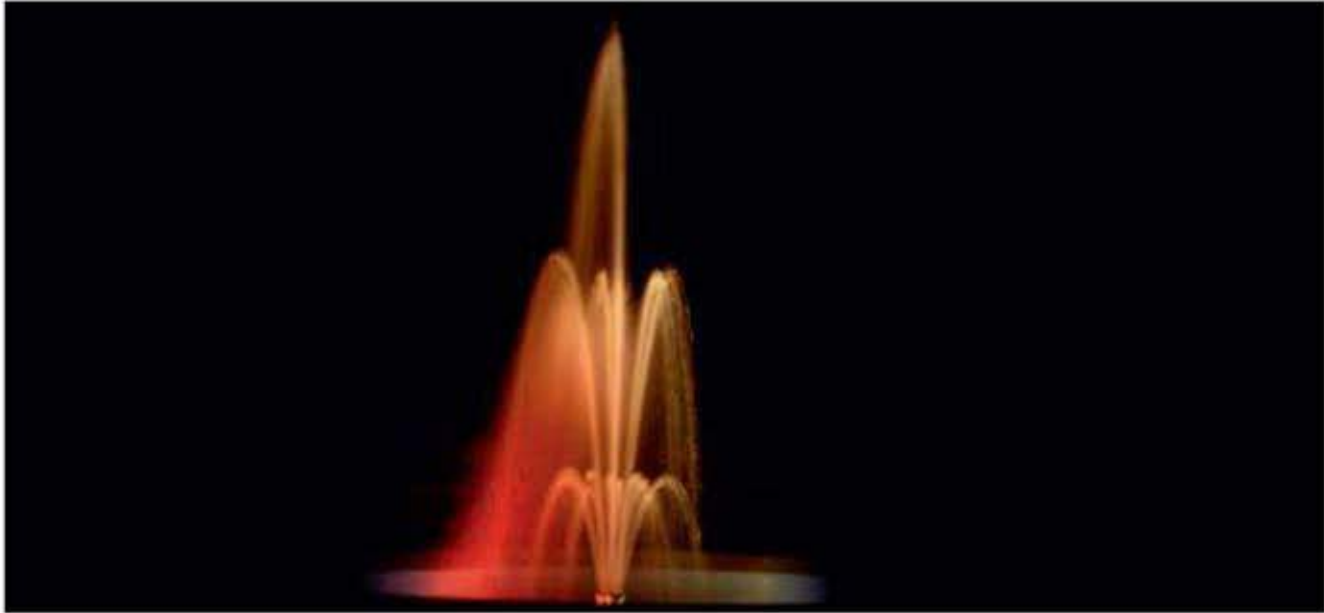


HYDRAULIC DATA

Model No.	BSP	Nos of jets	Dimension A (mm)	Dimension B (mm)	Orifice in mm	Stream Height in Meter								
						1.00	1.50	2.00	2.50	3.00	3.50	4.00		
PF 1105	1"	25	119	114	1@4.00	LPM	70	80	95	110	121			
					24@3.00	Head in Mtr	1.50	2.00	2.60	3.25	4.00			
PF 1107	1 1/2"	25	144	202	1@10.00	LPM	100	120	135	150	165	185	190	
					24@4.75	Head in Mtr	1.50	2.00	2.60	3.25	4.00	4.50	5.20	

HEIGHT & DIA ADJUSTABLE FOUNTAIN JET

PF 1100 SERIES MULTI JET NOZZLE



DESIGN / APPLICATION DATA:

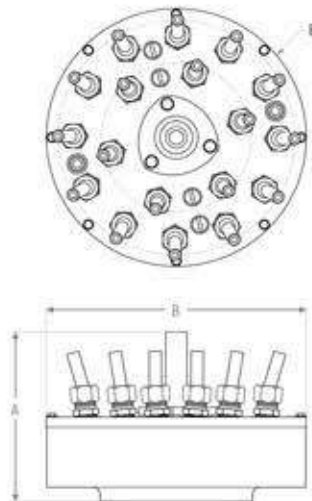
PF 1110 Nozzle is spray diameter & Height adjustable. All jets are directional adjustable. The intermediate ring of jets and the outer ring of jets are individually adjustable with flow controls located on the top of the nozzles. The nozzles are made from brass and bronze, Stainless steel fitted with Neoprene seals.

SPECIFICATION DATA:

Material of construction is machined brass and bronze. Stainless steel fitted. Female threaded connection.

OPERATING DATA:

Noise : Moderate
 Visibility : Excellent
 Splash/Mist : Low to moderate
 Wind Stability : Good
 Aeration Quality : Poor

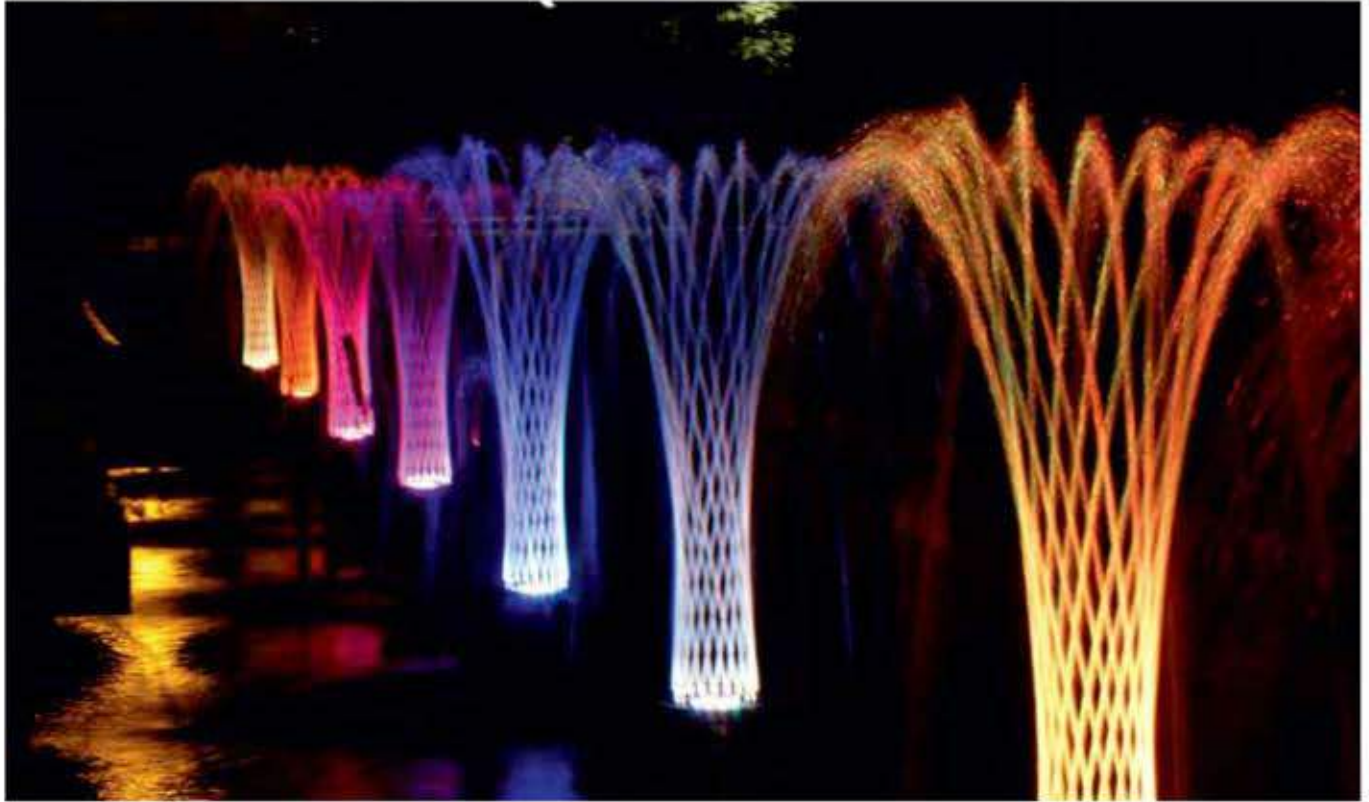


HYDRAULIC DATA

Model No.	BSP	Nos of Jets	Dimension A (mm)	Dimension B (mm)	Orifice in mm		Spray Height in Meter							
							2	3	4	5	6	8	10	12
PF 1110	2 1/2"	19	171	257	1@ 13.50 18@10.00	LPM	300	360	420	480	530	640	730	830
						Head in Mtr	3.00	4.00	6.50	7.50	10.00	13.50	18.50	20.00

DIAMOND JET

PF 1100 SERIES MULTI JET NOZZLES



DESIGN / APPLICATION DATA:

Simple fountain nozzle comprised of a set of 4mm water jets arranged in such a way that on rising they look like the diamonds and falling like the stars. The angle given to the jets means that, from wherever they are positioned, spectators can see the front & back jet cross over producing an aesthetics effect of great beauty in the architectural fountain.

The range is comprised of three sizes with 15, 20 & 30 fountain jets.

SPECIFICATION DATA:

Construction shall be cast bronze with precision clear stream brass nozzle neoprene gasket and stainless steel fasteners.

OPERATING DATA:

Noise : Moderate
 Visibility : Excellent
 Splash/Mist : Moderate
 Aeration Quality : Poor

LIGHTING SPECIFICATION :

Model	Voltage	Wattage	Colour
PF 1140	NA	NA	NA
PF 1142	12V DC	12W	RGB /WARM WHITE
PF 1144	12V DC	18W	RGB/WARM WHITE

Electrical Cable :

RGB lighting: - H07RN-F - 4 core 0.75 sq/mm
 Warm White lighting: H07RN-F - 2 core 1 sq/mm



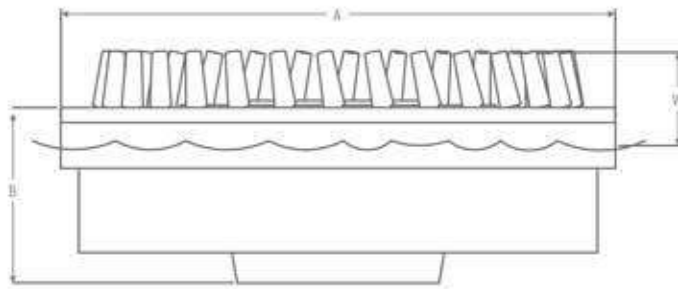
PF 1140



PF 1142



PF 1144



HYDRAULIC DATA

Model	BSP	Nos. Of Jets	Dimension (mm)			Orifice in mm	Spray height in Mtr							
			A	B	W		0.50	1.00	1.50	2.00	2.50	3.00		
PF 1140	1"	15	140	100	40	4	LPM	52	100					
							Head in Mtr	0.75	1.50					
							Splash in Mtr	0.50	1.00					
PF 1142	1 1/2"	20	203	103	45	4	LPM	70	138	166	188			
							Head in Mtr	0.75	1.50	2.25	3.00			
							Splash in Mtr	0.50	1.00	1.50	2.00			
PF 1144	2 1/2"	30	254	113	50	4	LPM		207	250	282	300	330	
							Head in Mtr		1.50	2.25	3.00	3.75	4.50	
							Splash in Mtr		1.00	1.50	2.00	2.50	3.00	

FINGER JET

PF 1100 SERIES MULTI JET NOZZLES



DESIGN / APPLICATION DATA:

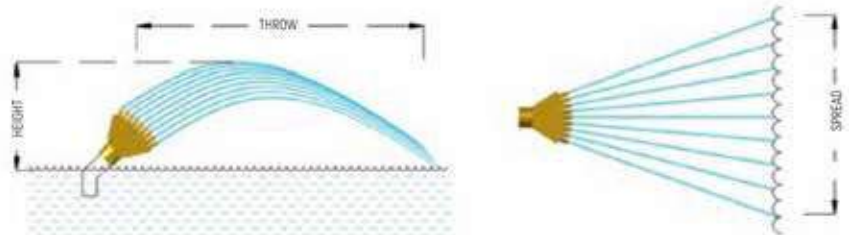
Finger Jet nozzle produces a delicate, arching spray pattern using precision clear stream jets. Combined with a main swivel connection permits a wide range of spray patterns and angles. Due to the low noise and splash reduced, finger jets are ideal use in courtyard or entryway pools designed for close range viewing distance. Application includes indoor or shielded outdoor use in commercial institutional and municipal building & landscape projects as primary display features, or as peripheral accents to primary display features. They are also used effectively in series or grouped in clusters.

SPECIFICATION DATA:

Material of construction is machined brass and bronze.
Female threaded connection.

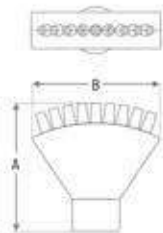
OPERATING DATA:

Noise	: Low
Visibility	: Poor
Splash/Mist	: Low to moderate
Wind Stability	: Poor
Aeration Quality	: Poor

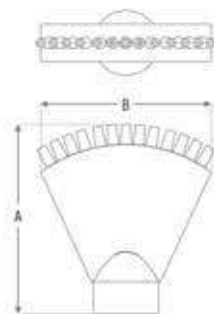




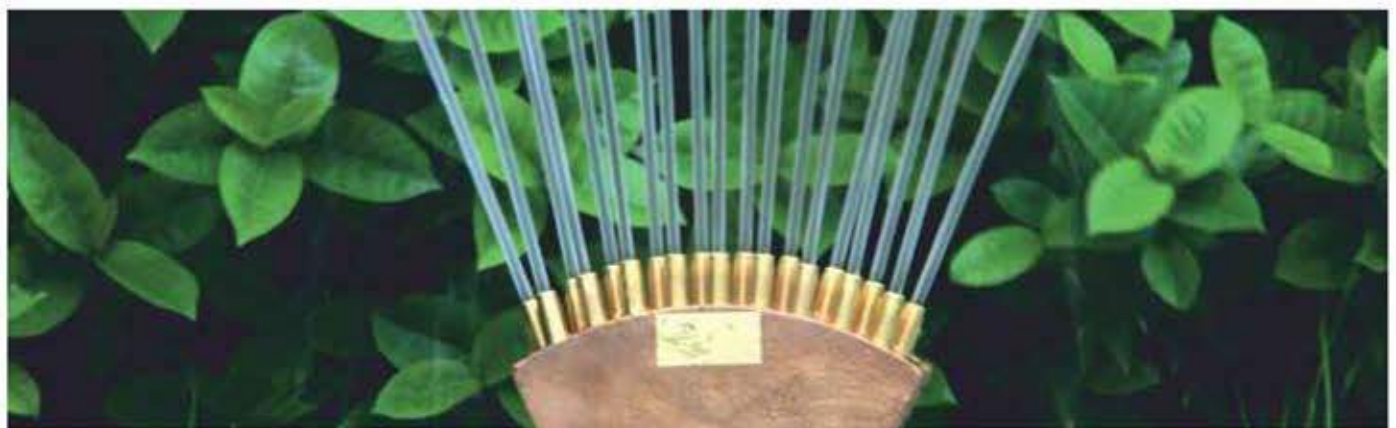
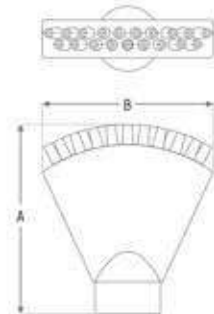
PF 1130



PF 1131SR



PF 1131DR



HYDRAULIC DATA

Model No.	BSP	Nos of Jets	Dimension A (mm)	Dimension B (mm)	Orifice in mm	Parabolic Length in Mtr	Parabolic Height in Mtr	Spread at Fall in Mtr	LPM	Head in Mtr
PF 1130	1"	9	117	117	4	1.00	0.50	1.00	48	1.22
						1.50	0.80	1.25	58	2.00
						2.00	1.30	1.50	65	2.50
PF 1131SR	1 1/2"	13	173	150	4	1.00	0.80	1.00	78	1.22
						1.50	1.30	1.25	100	2.00
						2.00	1.50	1.50	117	2.50
						2.50	1.80	1.75	122	3.00
						3.00	2.00	2.00	130	3.50
PF 1131DR	1 1/2"	19	173	150	4	1.00	0.80	1.00	114	1.22
						1.50	1.30	1.25	152	2.00
						2.00	1.50	1.50	170	2.50
						2.50	1.80	1.75	180	3.00
						3.00	2.00	2.00	190	3.50

PF 1200 SERIES ROTATING NOZZLES



DESIGN / APPLICATION DATA:

The Parrot / Peacock tail Nozzles rotating multi stream clear jet in animated swirling, spinning effect. Rotation is done without mechanical devices via water output from six-angled nozzle that turn with the vertical seventh center nozzle. Rotation, Speed and display size are adjustable with the water control valve. The Parrot / Peacock tail offers an impressive dancing display with minimal water requirement.

SPECIFICATION DATA:

Material of construction is brass and bronze.

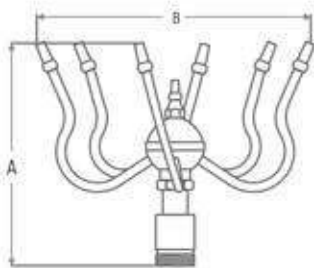
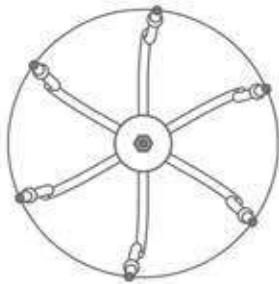
- The Parrot / Peacock tail Nozzles are BSP (M) threads.
- The Parrot / Peacock tail Nozzles may cause injury due to their configuration do they should not be mounted in swimming pools.
- The Parrot / Peacock tail Nozzles are water level independent and can be located in dry areas.

OPERATING DATA:

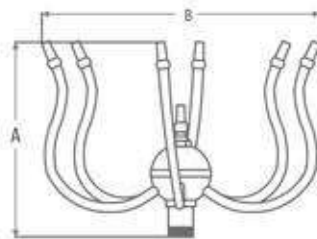
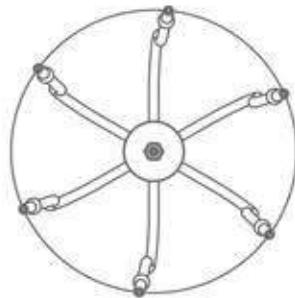
Noise	: Low
Visibility	: Poor
Splash/Mist	: Low to moderate
Wind Stability	: Poor
Aeration Quality	: Poor



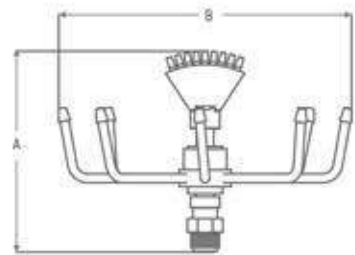
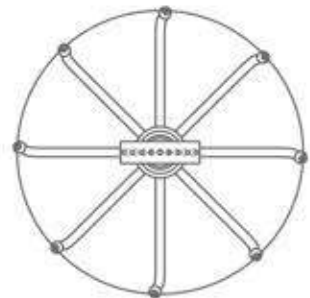
PF 1201 [Parrot]



PF 1205 [Parrot]



PF 1202 [Peacock tail]



HYDRAULIC DATA

Model No.	BSP	Dimension A (mm)	Dimension B (mm)	Display height in Mtr.	Spread Dia in Mtr.	LPM	Head in Mtr.
PF-1201	1"	210	175	1.00	1.50	22	1
				1.25	2.00	26	2
				1.50	2.25	30	3
				1.75	2.50	34	4
				2.00	3.00	38	5
				2.50	3.50	42	6
PF 1202	1 1/4"	305	465	2.50	3.50	120	3
				3.00	4.00	132	4
				3.50	4.50	150	5
				4.00	5.00	165	6
PF 1205	1"	376	242	1.00	1.50	50	1.90
				1.25	2.00	56	2.10
				1.50	2.25	62	2.50
				1.75	2.50	68	2.75
				2.00	3.00	72	3.25
				2.50	3.50	80	4.00
				3.00	4.00	86	5.00
				3.50	4.50	95	6.00
				4.00	5.00	100	6.50



BELL PF 1300 SERIES WATER FILM NOZZLES



DESIGN / APPLICATION DATA:

A clear of water in the shade of a bell. Minimum sound or splash. For silence wind free locations in small and medium sized displays. Ideal in grouping of various heights. No constant water level required. Water supply must be non troubled.

SPECIFICATION DATA:

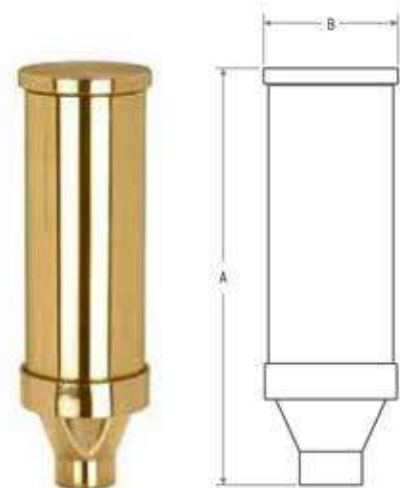
Material of construction is brass with adjustable top.

Note : (for Optimum Effects)

- Requires non-turbulent water supply.
- Requires fine screening at pump.
- Ideal for indoor fountain use.

OPERATING DATA:

Sound level : Good
 Visibility : Good
 Splash : Low
 Wind Stability : Poor
 Aeration Quality : Poor



HYDRAULIC DATA

Model No.	BSP	Dimension A (mm)	Dimension B (mm)		Maximum Spread in cm			
					15	30	45	60
PF 1301	½"	179	56	LPM	16	24		
				Head in Meter	0.70	1.00		
PF 1302	1"	360	56	LPM	16	24	30	34
				Head in Meter	0.70	1.00	1.30	1.60

CALYX

PF-1300 SERIES WATER FILM NOZZLE

DESIGN / APPLICATION DATA:

A clear pulsating sheet of water in a mushroom form when operated in a full sheet pattern there is very little shape or splash, ideal for both silent and windy locations. Preferred for floating or lake fountain.

SPECIFICATION DATA:

Material of construction is cast bronze and brass with adjustable top cone.

Bottom of nozzle must be installed at water level.

Water supply must be non-trouble.

OPERATING DATA:

Noise	: Good
Visibility	: Excellent
Splash/Mist	: Excellent
Wind Stability	: Poor
Aeration Quality	: Moderate



HYDRAULIC DATA

Model No.	BSP	Dimension A (mm)	Dimension B (mm)		Spray Height in cm		
					15	30	45
PF 1303	1/2"	162	45	LPM	16	22	26
				Spread in cm.	10	20	30
				Head in Mtr.	0.30	0.45	0.75

WATER LILY

PF 1300 SERIES WATER FILM NOZZLE



DESIGN / APPLICATION DATA:

A study in contrasting waterborne art Water lily nozzle produces an eye-catching display that's both light and delicate. A miniature version of our Crystal Arch nozzle, the water lily combines that lofty, single tier arching pattern with a lower bell shape feature similar to the Tulip, with a compact, sheeting fall.

The water lily exhibits excellent prismatic light reflecting prosperities, thanks to the multi-channeled nozzles individual water trajectories that expand to form liquid crystalline drops many times larger than the original clear streams. This nozzle is at its best when illuminated at night with adequate perimeter light placement.

SPECIFICATION DATA:

Material of construction is bronze

- Excellent pattern stability even in moderate wind conditions.
- Water lily is water level independent and can be located in dry areas.
- Water lily with a BSP (F) threaded connection.

OPERATING DATA:

Noise : Good
 Visibility : Excellent
 Splash/ Mist : Low to medium
 Wind Stability : Good
 Aeration Quality : Moderate



HYDRAULIC DATA

Model No.	BSP	Dimension A (mm)	Dimension B (mm)		Spray Height in Meter			
					0.25	0.50	0.75	1.00
PF 1308	1"	192	85	LPM	64	75	83	90
				Head in Mtr.	1.00	1.50	1.75	2.00
				Dia of Cone	0.25	0.50	0.75	1.00

PF 1300 SERIES WATER FALL SPOUT

DESIGN / APPLICATION DATA:

A curtain of water tumbling down to form a waterfall can have varying widths and heights. As the thickness of the water film depends on these two factors. So will the quantity of water that the pump is required to circulate. Water is pumped by a concealed unit from a lower basin, through one or more pressure lines, into a trough with a shaped overflow, the width and height of which determine the pattern of the waterfall. Most arrangements require an adjustable lip at the beginning of the overflow and a "weir" edge on the other side. With wide waterfalls, the lip should be adjusted perfectly level to prevent the water film from breaking up. It is also important that leaves and dirt do not collect on either the "fall-away" or lip,

IMPORTANT:

- Lip and weir edge should be kept clean.
- Avoid sitting under trees (leaves and twigs).
- Try to protect from wind.
- Ensure pump is correctly sized.

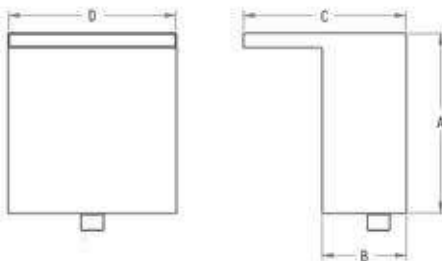
SPECIFICATION DATA: Material of construction is stainless steel

OPERATING DATA:

Noise	: Good	Splash/Mist	: Poor
Visibility	: Good	Wind Stability	: Poor
Aeration Quality	: Poor		



HYDRAULIC DATA



Model No.	Fall Width D (mm)	BSP	Dimension A (mm)	Dimension B (mm)	Dimension C (mm)	LPM
WFS300	300	1"	178	152	229	60
WFS 450	450	1 1/2"	254	229	356	90
WFS 600	600	1 1/2"	254	229	356	120
WFS 750	750	2"	254	229	356	150
WFS 900	900	2"	254	229	356	180
WFS 1050	1050	2"	254	229	356	210
WFS 1200	1200	2 1/2"	254	229	356	240
WFS 1350	1350	2 1/2"	254	229	356	270
WFS1400	1400	3"	254	229	356	320
WFS1450	1450	3"	254	229	356	350
WFS1500	1500	3"	254	229	356	370

FAN JET

PF 1300 SERIES WATER FILM NOZZLES



DESIGN / APPLICATION DATA:

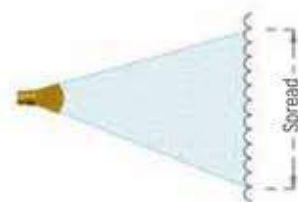
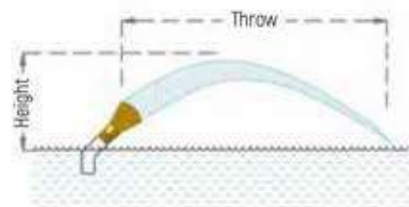
Aquascape Fan Jet creates a particularly compact, fan shaped water stream with a thickness of 6 mm. This type nozzle is especially attractive when arranged in a group around a center nozzle but even on its own this jet will always find its place in any arrangement.

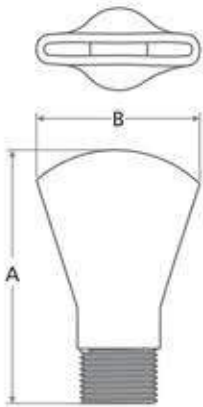
SPECIFICATION DATA:

Material of construction is cast bronze with thread connection.

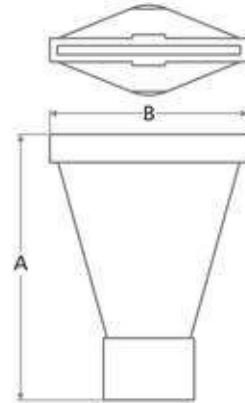
OPERATING DATA:

Noise	: Good
Visibility	: Excellent
Splash/Mist	: Low to moderate
Wind Stability	: Excellent
Aeration Quality	: Poor





PF 1317



PF 1318

HYDRAULIC DATA

Model No.	BSP	Dimension A (mm)	Dimension B (mm)	Spray Angle		Throw in Meter					
						0.50	0.75	1.00	1.50	2.00	3.00
PF-1317	1"	114	72	45°	LPM	51	60	67	80		
					Head in Mtr	0.75	1.10	1.50	2.25		
					Spread in CM	61	69	77	120		
PF-1318	1 1/2"	116	132	45°	LPM	102	110	126	180	260	281
					Head in Mtr	0.75	1.00	1.20	1.50	2.00	3.00
					Spread in CM	40	48	55	100	120	150

TULIP JET

PF 1300 SERIES WATER FILM NOZZLES



DESIGN / APPLICATION DATA:

A clear pulsating sheet of water in a mushroom form when operated in a full sheet pattern there is very little shape or splash. Ideal for both silent and windy locations. Preferred for floating or lake fountain.

SPECIFICATION DATA:

Material of construction is cast bronze and brass with adjustable top cone.

- Bottom of nozzle must be installed at water level.
- Water supply must be non-trouble.

OPERATING DATA:

Noise	: Good
Visibility	: Excellent
Splash/Mist	: Excellent
Wind Stability	: Moderate
Aeration Quality	: Moderate



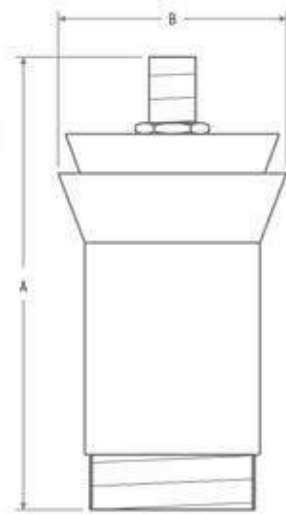
PF 1332



PF 1333



PF 1334



HYDRAULIC DATA

Model No.	BSP	Dimension A (mm)	Dimension B (mm)		Spray height in Meter				
					0.50	1.00	2.00	3.00	4.00
PF 1332	1 ½"	141	47	LPM	50	80			
				Spread dia in Mtr.	0.25	0.50			
				Head in Mtr.	0.75	1.50			
PF 1333	2 ½"	207	102	LPM		200	300	400	
				Spread dia in Mtr.		1	2	3	
				Head in Mtr.		1.50	3.00	4.50	
PF 1334	3"	236	139	LPM		300	400	500	600
				Spread dia in Mtr.		1.50	2.50	4.00	5.00
				Head in Mtr.		1.50	3.00	4.50	7.00

FOAM JETS

PF 3400 SERIES FOAM EFFECT NOZZLES



DESIGN / APPLICATION DATA:

A column of frothy, aerated water, recommended for small and medium display. Jet has low profile and neat appearance. No constant water level is required. Fountain installations with a lower water deserver, this nozzle type has a wide field of application.

SPECIFICATION DATA:

Material of construction is cast bronze and brass with internal air/water ration adjustment. Exterior is of Bronze.

OPERATING DATA:

Noise : Moderate
Visibility : Excellent
Splash/Mist : Low
Wind Stability : Good
Aeration Quality : Good



HYDRAULIC DATA

Model No.	BSP	Orifice in mm	Dimension A (mm)	Dimension B (mm)		Spray Height in Meter									
						0.50	1.00	1.50	2.00	2.50	3.00	3.50	4.00	4.50	5.00
PF 3401	1/2"	23	99	39	LPM	40	60								
					Head in Mtr	0.75	1.50								
PF 3402	1"	35	142	62	LPM	55	80	97	111	123					
					Head in Mtr	0.75	1.50	2.25	3.00	3.75					
PF 3403	1"	40	158	65	LPM	60	95	125	140	160	185				
					Head in Mtr	0.75	1.50	2.25	3.00	3.75	4.50				
PF 3409	1"	50	155	71	LPM	70	100	135	150	170	195				
					Head in Mtr	0.75	1.50	2.25	3.00	3.75	4.50				
PF 3410	1 1/2"	50	180	82	LPM	125	176	217	252	282	310	335	360	381	402
					Head in Mtr	0.75	1.50	2.25	3.00	3.75	4.50	5.25	6.00	6.75	7.50
PF 3412	2"	70	250	121	LPM		230	270	315	347	385	400	440	450	485
					Head in Mtr		1.50	2.25	3.00	3.75	4.50	5.25	6.00	6.75	7.50

FOAM JETS

PF 3400 SERIES FOAM EFFECT NOZZLES

MADE FROM STAINLESS STEEL 316



DESIGN / APPLICATION DATA:

A column of frothy, aerated water, recommended for small and medium displays in shallow pools. Beautiful when lighted. Jet has low profile and neat appearance. No constant water level is required.

SPECIFICATION DATA:

Material of construction is Stainless steel and brass with internal air/water ration adjustment. Exterior is Stainless steel

OPERATING DATA:

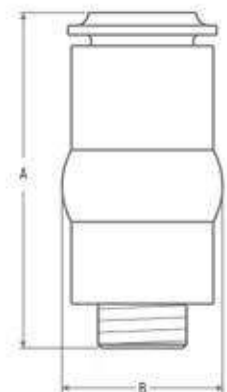
Noise : Moderate
 Visibility : Excellent
 Splash/Mist : Low
 Wind Stability : Good
 Aeration Quality : Good



PF 3402S



PF 3410S



HYDRAULIC DATA

Model No.	BSP	Orifice in mm	Dimension A (mm)	Dimension B (mm)	Spray Height in Meter										
					0.50	1.00	1.50	2.00	2.50	3.00	3.50	4.00	4.50	5.00	
PF 3402S	1"	35	145	60	LPM	55	80	97	111	123					
					Head in Mtr.	0.75	1.50	2.25	3.00	3.75					
PF 3410S	1 1/2"	50	190	82	LPM	125	176	217	252	282	310	335	360	381	402
					Head in Mtr.	0.75	1.50	2.25	3.00	3.75	4.50	5.25	6.00	6.75	7.50

FOAM JETS

PF 3400 SERIES FOAM EFFECT NOZZLES

MADE FROM STAINLESS STEEL 316, BRASS & ABS PLASTIC COMPOSED

DESIGN / APPLICATION DATA:

A column of frothy, aerated water, recommended for small and medium displays in shallow pools. Beautiful when lighted. Jet has low profile and neat appearance. No constant water level is required.

SPECIFICATION DATA:

Material of construction is Stainless steel 316, brass & ABS plastic composed.

OPERATING DATA:

Noise	: Moderate
Visibility	: Excellent
Splash/Mist	: Low to Moderate
Wind Stability	: Good
Aeration Quality	: Good



HYDRAULIC DATA

Model No.	BSP	Orifice in mm	Dimension A (mm)	Dimension B (mm)	Spray Height in Meter									
					0.25	0.50	0.75	1.00	1.25	1.50	1.75	2.00	2.50	
PF 3402SS/P	1"	32	153	60	LPM	47	55	71	80	89	97	104	111	123
					Head in Mtr	1.00	1.30	2.10	2.70	3.30	3.90	4.60	5.20	6.40

AERATED JETS

PF 3400CB SERIES FOAM EFFECT NOZZLES



DESIGN / APPLICATION DATA:

Aquascape PF 3400 series Aerating Jets are made from cast bronze, brass and Stainless steel. The unique water level independent and Flow Adjustable Aerating Jets are for installation above water level the complete Jet has to be above water level.

SPECIFICATION DATA:

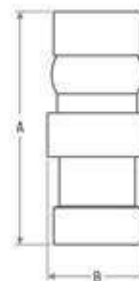
Material of construction is cast bronze and brass with internal air/water ratio adjustment.

OPERATING DATA:

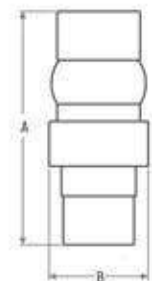
- Noise : Good
- Visibility : Excellent
- Splash/Mist : Low to Moderate
- Wind Stability : Excellent
- Aeration Quality : Excellent



PF 3480CB



PF 3481CB



HYDRAULIC DATA

Model No.	BSP	Orifice in mm	Dimension A (mm)	Dimension B (mm)		Spray Height in Meter									
						0.50	1.00	1.50	2.00	2.50	3.00	3.50	4.00	5.00	6.00
PF 3480CB	1 1/2"	51	171	70	LPM	90	110	130	148	165	187	200	235		
					Head in Mtr.	1.10	2.20	3.00	4.00	5.10	6.00	7.25	8.00		
PF 3481CB	2"	76	248	105	LPM		200	270	310	350	385	400	450	490	530
					Head in Mtr.		2.20	3.00	4.00	5.10	6.00	7.25	8.00	10.00	12.00

JET CLUSTER

PF 3400 SERIES FOAM EFFECT NOZZLES

DESIGN / APPLICATION DATA:

Jet Cluster nozzles produces a vertical columns of water using connection rows of clear stream jet giving the appearance of a large diameter water columns. Due to the refractive quality of the individual streams, jet cluster nozzles offer good visibility at the long range viewing distance.

Nozzle is further enhanced when combined with submersible lighting. Applications include indoor or shielded outdoor use in commercial, institutional, municipal building and landscape projects, as a primary display features, or as peripheral accents to primary display features they are also used effectively in series or grouped in clusters.

SPECIFICATION DATA:

Material of construction is machined brass and bronze.
Female threaded connection.

OPERATING DATA:

Noise : Low to Moderate
 Visibility : Good
 Splash/Mist : Low to Moderate
 Wind Stability : Good
 Aeration Quality : Good



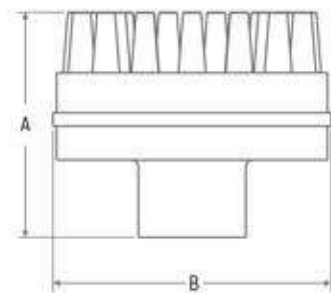
PF 3490



PF 3492



PF 3497



HYDRAULIC DATA

Model No	BSP	Orifice in mm	Nos of Jets	Dimension A (mm)	Dimension B (mm)	Spray height in Meter								
						0.5	1.0	1.50	2.0	2.50	3.0	4.5	6.0	
PF-3490	1"	4	30	98	113	LPM	66	102	132	159	183	210		
						Head in Mtr	1.00	2.00	2.75	3.50	4.00	5.00		
						Spread Dia in Cm	33	50	80	90	35	105		
PF-3492	2"	4	50	103	202	LPM	110	170	220	265	305	345		
						Head in Mtr	1.00	2.00	2.75	3.50	4.00	5.00		
						Spread Dia in Cm	42	65	85	100	130	145		
PF-3497	4"	8	36	171	255	LPM						1098	1363	1590
						Head in Mtr						6.10	9.00	12.20
						Spread Dia in Cm						153	199	244

AERATED JETS

PF 4000 SERIES FOAM EFFECT NOZZLES



DESIGN / APPLICATION DATA:

Aquascape Aerated Jet Nozzles are injection Nozzles that are independent on the water level. Because of the injection effect the surrounding air is sucked in, intensively mixed and thrown high into the air by the injector jet Aerating. Jet Nozzles are designed to produce columns of highly aerated water with a frothy effect.

SPECIFICATION DATA:

Material of construction is brass pipe with cast bronze inlet.

OPERATING DATA:

Noise : Moderate
 Visibility : Excellent
 Splash/Mist : Low to Moderate
 Wind Stability : Good
 Aeration Quality : Good



HYDRAULIC DATA

Model No.	BSP	Orifice in mm	Dimension A (mm)	Dimension B (mm)		Spray Height in Meter					
						1.00	1.50	2.00	3.00	4.00	5.00
PF 4001	1"	25	148	40	LPM	40	48	53			
					Head in Mtr.	4.40	5.80	7.40			
PF 4001 A	1 1/4"	32	180	51	LPM	60	70	80			
					Head in Mtr.	4.40	5.80	7.40			
PF 4002	1 1/2"	40	205	57	LPM	90	110	120	140		
					Head in Mtr.	4.40	5.80	7.40	11.00		
PF 4003	2"	50	229	80	LPM	110	130	155	200	250	275
					Head in Mtr.	4.40	5.80	7.40	11.00	13.50	16.00



AERATING JETS

PF 3400BP SERIES FOAM EFFECT NOZZLE

WATER LEVEL DEPENDENT



DESIGN / APPLICATION DATA:

Aerating Jet nozzles are designed to produce columns of highly aerated water with frothy effect. High light reflection characteristic of scream is ideal for lighted fountain. The aerating jets are made of cast bronze and brass stock, machined to close tolerance. The inner nozzle has an internal tapered bore. Water and air suction ratio can be adjusted in this nozzle due to special design.

SPECIFICATION DATA:

Material of construction is cast bronze with brass pipe.

OPERATING DATA:

Noise	: Good
Visibility	: Excellent
Splash/Mist	: Good
Wind Stability	: Good
Aeration Quality	: Excellent



HYDRAULIC DATA

Model No.	BSP	Stream OD in mm	Dimension A (mm)	Dimension B (mm)	Water Level in mm	Spray Height in Meter											
						1	2	3	4	5	8	10	15	20	30		
PF 3420BP	1"	25	252	98	40	LPM	30	38	45	50	56						
						Head in Mtr	4	7	10	14	18						
PF 3421BP	1½"	38	340	116	50	LPM	42	55	75	90	105	130					
						Head in Mtr	4	7	10	14	18	20					
PF 3422BP	2"	50	405	136	50	LPM	90	118	145	170	190	225	260				
						Head in Mtr	4	7	10	14	18	20	22				
PF 3423BP	2 ½"	63	460	155	75	LPM		200	260	320	350	460	530	650			
						Head in Mtr		7	10	14	18	20	22	28			
PF 3424BP	3"	76	530	180	75	LPM			320	380	415	470	580	630	780	900	1050
						Head in Mtr			7	10	14	18	20	22	28	32	38

CASCADE JET PF 3400 SERIES FOAM EFFECT NOZZLE

WATER LEVEL DEPENDENT



DESIGN / APPLICATION DATA:

The Cascade nozzles produce a graceful conical shaped while display. The water level dependent aerated display is suitable for clam to light wind conditions. Exhibits excellent light reflecting properties. Because of the injection effect, the surrounding water and air are sucked in, intensively mixed and thrown high in to the air by the injector jet.

However the water pattern changes with varying water levels, when below the standard water level the jet is thinner but also higher, when above it is fuller but also lower, when the waves become stronger the fountains begin to dance. Often seen as a very interesting special effect.

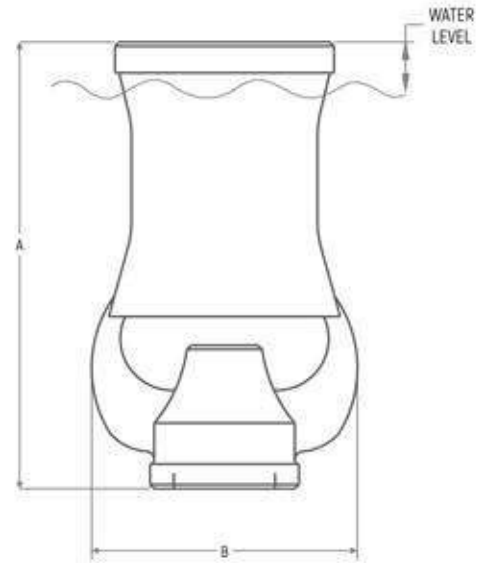
Note: Return valve must be provided in installations with different water levels, otherwise when switching off the water level since to the injection height.

SPECIFICATION DATA:

Material of construction is machined cast bronze natural finish.

OPERATING DATA:

Noise	: Good
Visibility	: Very Good
Splash/Mist	: Moderate
Wind Stability	: Excellent
Aeration Quality	: Excellent



HYDRAULIC DATA

Model No.	BSP	Dimension A (mm)	Dimension B (mm)	Water level in mm		Spray Height in Meter										
						0.50	1.00	1.50	2.00	3.00	4.00	5.00	6.00	8.00	10.00	12.00
PF 3448	1/2"	109	54	15	LPM	34	46									
					Head in Mtr.	2.20	3.00									
PF 3449	3/4"	135	56	15	LPM	60	76	90								
					Head in Mtr.	2.20	3.00	4.50								
PF 3450	1"	157	62	15	LPM	85	100	118	131	155						
					Head in Mtr.	2.20	3.00	4.50	6.50	8.00						
PF 3451	1 1/2"	224	88	15	LPM	93	119	140	160	215	245	285				
					Head in Mtr.	2.20	3.00	4.50	6.50	8.00	12.00	15.00				
PF 3452	2"	275	113	15	LPM		200	292	320	380	425	475	500			
					Head in Mtr.		3.00	4.50	6.50	8.00	12.00	15.00	18.00			
PF 3453	3"	370	150	15	LPM			500	575	650	750	850	950	1150	1400	1600
					Head in Mtr.			4.50	6.50	8.00	12.00	15.00	18.00	24.00	30.00	35.00



FOAM GEYSER JETS

PF 3400 SERIES FOAM EFFECT NOZZLE

WATER LEVEL DEPENDENT

DESIGN/APPLICATION DATA:

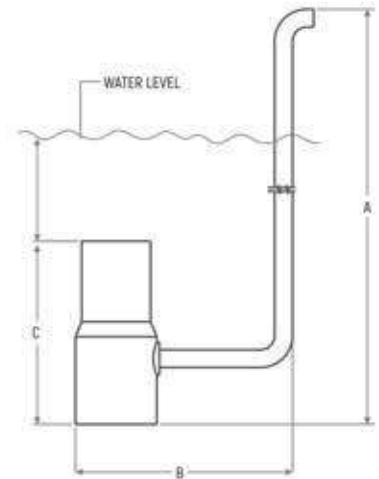
Aquascape Foam Geyser Nozzles are designed to provide in their lowest spray heights white mounds of water. While at greater spray height, to provide highly visible fluffy white spray effect.

SPECIFICATION DATA:

Material of construction is cast bronze with copper pipe

OPERATING DATA:

- Noise : Good
- Visibility : Excellent
- Splash/Mist : Low to Moderate
- Wind Stability : Excellent
- Aeration Quality : Excellent



Model No.	BSP	Orifice in mm	Dimension A (mm)	Dimension B (mm)	Dimension C (mm)	Water level in mm	Spray Height in Meter										
							0.50	1.00	1.50	2.00	2.50	3.00	4.00	5.00	6.00		
PF 3461	1/4"	32	349	157	119	75	LPM	99	125	150	175	190	200				
							Head in Mtr	2.50	4.50	6.80	8.00	9.00	10.00				
PF 3462	1/2"	38	377	174	138	75	LPM	133	175	210	235	260	285	340			
							Head in Mtr	2.50	4.50	6.80	8.00	9.00	10.00	12.00			
PF 3463	2"	51	428	195	176	75	LPM	216	262	305	340	375	390	440	500	575	
							Head in Mtr	2.50	4.50	6.80	8.00	9.00	10.00	12.00	13.00	14.00	



DANDELION (SPHERE)

PF 6400 SERIES SPHERE EFFECT NOZZLE



DESIGN / APPLICATION DATA:

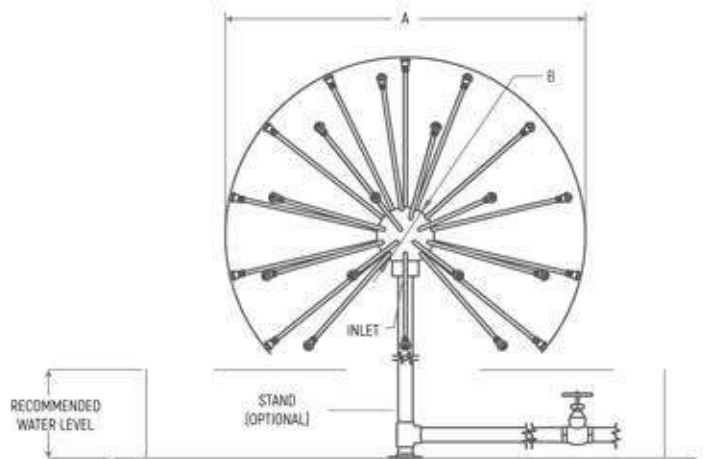
The Dandelion Sphere effect is created by multiple discs of water radiating from a center manifold. These effects produce a fine spray that results in evaporation cooling in the area of the effect. When not in use as a water feature, the dandelion sphere appears as a sculpture ideal for mall and garden areas.

SPECIFICATION DATA:

Material of construction is cast bronze and precision machined brass
Nozzles are easily cleaned individually adjustable (for water thickness) and removable.

OPERATING DATA:

Noise : Good
Visibility : Excellent
Splash/Mist : Excellent
Wind Stability : Poor
Aeration Quality : Good



HYDRAULIC DATA

Model No.	BSP	Dimension A in Mtr.	Dimension B Hub Dia in mm	Nos of Arms	LPM	Head in Meter
PF 6441	2 1/2"	1.00	200	40	450	5.00
PF 6443	2 1/2"	1.20	200	40	500	5.00
PF 6445	4"	2.00	250	110	1500	7.00



DANDELION (HEMISPHERE) PF 6400 SERIES SPHERE EFFECT NOZZLES



DESIGN / APPLICATION DATA:

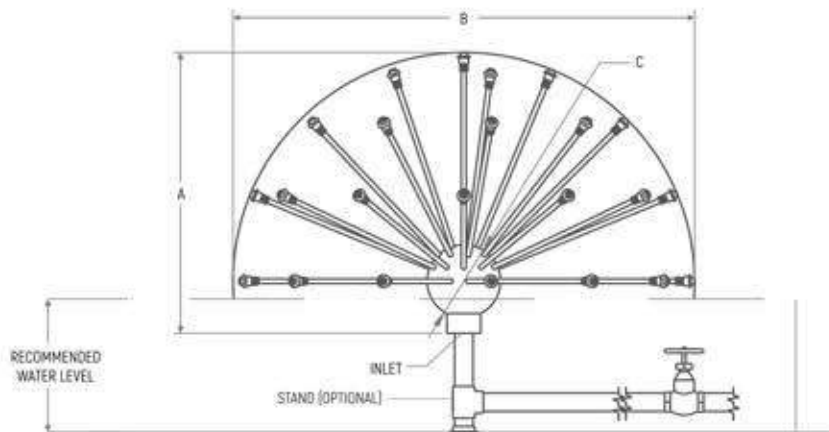
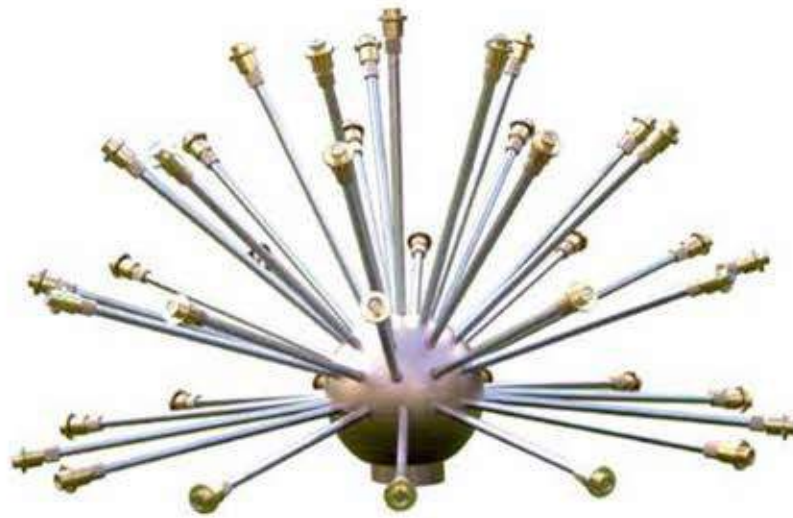
The Dandelion Hemisphere effect is created by multiple discs of water radiating from a center manifold. These effects produce a fine spray that results in evaporation cooling in the area of the effect. When not in use as a water feature, the dandelion hemisphere appears as a sculpture ideal for mall and garden areas.

SPECIFICATION DATA:

Material of construction is cast bronze and precision machined brass
Nozzles are easily cleaned individually adjustable (for water thickness) and removable.

OPERATING DATA:

Noise	: Good
Visibility	: Excellent
Splash/Mist	: Excellent
Wind Stability	: Poor
Aeration Quality	: Good



HYDRAULIC DATA

Model No.	BSP	Dimension A in mm	Dimension B Sphere O.D. in Mtr.	Dimension C Hub Dia in mm	Nos of Arms	LPM	Head in Meter
PF 6442	2½"	640	1.00	200	40	450	5.00
PF 6444	2½"	790	1.20	200	40	450	5.00
PF 6446	4"	1095	2.00	250	70	770	7.00

PF 9000 SERIES SPRAY RINGS



DESIGN / APPLICATION DATA:

The Spray Ring fountains offer a variety of effects depending on nozzle selection, quantity of nozzles, spray height and angle of throw desired. Spray rings are constructed of stainless steel in a variety of diameter and orifice sizes. Adjustable brass smooth stream nozzles develop uniform circular spray pattern.

Lighting: Lighting for night time viewing of the Spray Ring fountain is very effective, typically because of the close proximity of nozzle spacing on the ring. Quantities and wattage of lights will be greatly dependent on nozzle selection and spacing.

Noise: Because of the quantity of nozzles, the standard Spray Ring fountain produces a pleasant and consistent background noise for ponds ranging from small to large. Again, nozzle type and quantity selection will determine the audible levels of the fountain. When making a nozzle selection for the spray ring, our technical assistant will help you to determine the best fit for your particular lake or pond taking in to account size of pond, water quality, lighting effects and general aesthetics you wish to achieve.

SPECIFICATION DATA:

Material of construction is Stainless steel

Notes

- Specify : Dome center Drop, Inside Drop, Outside drop, Vertical Pattern.
- Nozzle angle can be adjusted after installation.
- Provide basket strainer or Y type strainer for nozzle orifice protection.

OPERATING DATA:

Noise	: Good
Visibility	: Excellent
Splash/ Mist	: Good
Wind Stability	: Good
Aeration Quality	: Good

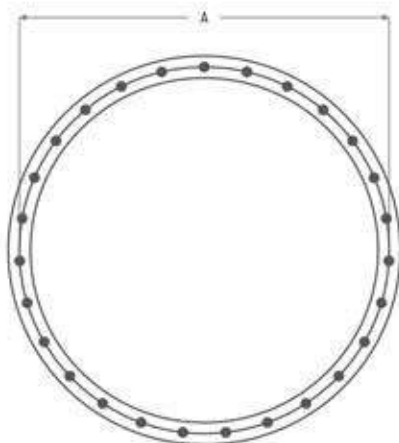




Inside Drop



Straight Jet



HYDRAULIC DATA

Model No.	Dia Mtr. in mm (A)	Type of Nozzles	Jet orifice In mm	Quantity of nozzle		Spray Height in Meter						
						0.5	1.0	1.5	2.0	2.5	3.0	4.0
PF 9012	300	PF 1010	4.75	12	LPM	68	95	104	117	140	180	225
					Head in Mtr	1.82	3.04	3.65	4.87	5.60	5.90	6.00
PF 9018	450	PF 1010	4.75	18	LPM	102	143	156	176	210	270	330
					Head in Mtr	1.82	3.04	3.65	4.87	5.60	5.90	6.00
PF 9024	600	PF 1010	4.75	24	LPM	136	190	208	235	280	360	440
					Head in Mtr	1.82	3.04	3.65	4.87	5.60	5.90	6.00
PF 9030	750	PF 1010	4.75	22	LPM	136	190	208	235	280	360	440
					Head in Mtr	1.82	3.04	3.65	4.87	5.60	5.90	6.00
PF 9036	900	PF 1010	4.75	27	LPM	153	214	234	265	316	405	495
					Head in Mtr	1.82	3.04	3.65	4.87	5.60	5.90	6.00
PF 9048	1200	PF 1010	4.75	36	LPM	204	286	313	353	421	540	660
					Head in Mtr	1.82	3.04	3.65	4.87	5.60	5.90	6.00
PF 9060	1500	PF 1011	6.35	45	LPM	476	578	680	850	1020	1035	1095
					Head in Mtr	1.82	3.04	3.65	4.87	5.60	5.90	6.00
PF 9072	1800	PF 1011	6.35	54	LPM	571	693	816	1020	1224	1428	1700
					Head in Mtr	1.82	3.04	3.65	4.87	5.60	5.90	6.00
PF 9096	2400	PF 1011	6.35	72	LPM	761	925	1088	1360	1632	1728	1850
					Head in Mtr	1.82	3.04	3.65	4.87	5.60	5.90	6.00
PF 9120	3000	PF 1011	6.35	92	LPM	952	1156	1360	1701	2041	2160	2350
					Head in Mtr	1.82	3.04	3.65	4.87	5.60	5.90	6.00

FOG JET



DESIGN / APPLICATION DATA:

Aquascape Fog Jet is designed for low wind area. It's not to create great height, but rather large volume making it particularly suitable for architectural fountains.

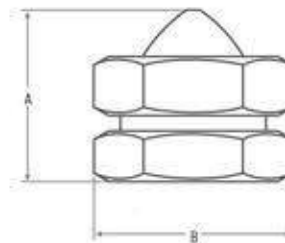
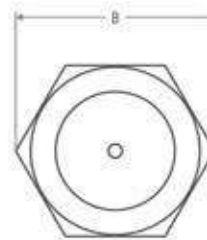
Please bear in mind that when installed in outdoor fountains, due to the small weight of the droplet, the wind can easily "overflow" the water fountain; therefore, it should not be installed in wind area.

SPECIFICATION DATA:

Material of construction is bronze with Stainless steel cap

OPERATING DATA:

- Noise : Poor
- Visibility : Good
- Splash : Poor
- Wind Stability : Poor
- Aeration Quality : Good



HYDRAULIC DATA

Model No.	BSP	Orifice in mm	Dimension A (mm)	Dimension B (mm)		Spray Height in Meter			
						0.50	1.00	1.50	2.00
PF 0105	3/8"	2.75	35	35	LPM	4.40	5.70	7.50	9.60
					Head in Mtr.	1.80	3.50	5.00	6.00

FLOATER

DESIGN / APPLICATION DATA:

Driven by innovation and quality, Aquascape manufactures the premier floating fountains on the market today. We offer unique choice to our customers on both the display patterns and the operating systems depending upon your needs.

Floating Fountains are a very elegant way to create dynamic sculptural water and light effects. Floating fountains constitute a water treatment system which is virtually maintenance - free. It is possible to exchange nozzles within the same power range of the pump to enlarge the variety of visual appearance.

Our experience in this field enables us to provide reliable products of superior value.

Variety of spray patterns and lighting configurations, we have a wide range of attractive products with practical features. Rugged foam filled fiber glass flotation, in black low profile design. Operation in 48 inches depth of water for most models, 60 inches for models 5 HP and larger. Hand adjustable control valves, plus adjustable swivel nozzles on many models, allow a single fountain to produce many patterns and adapt their shape to smaller lakes.

SPECIFICATION DATA:

Material of construction is FRP with foam filled.



HYDRAULIC DATA

Model No.	Floater Dia in Mtr.	Minimum Water Depth in Mtr.	Connection Size for Nozzle (BSP)	Connection Size for Pump (BSP)	Suitable Pump HP
FLR36	1.00	1.80	2 1/2"	2 1/2"	Upto 2HP
FLR48	1.20	2.00	3"	3"	Upto 5HP

LAMINAR JET



DESIGN / APPLICATION DATA:

Laminar Jets clear or lighted arcs of water as they silently enter your pool or spa. Laminar Jets create spectacular backyard water entertainment with dazzling nighttime lighting effects.

Laminar Jets create a glass-like rod of water that is perfectly clear and still. With lighted jet, the water appears to glow.

SPECIFICATION DATA:

Material of construction is Stainless steel 316.

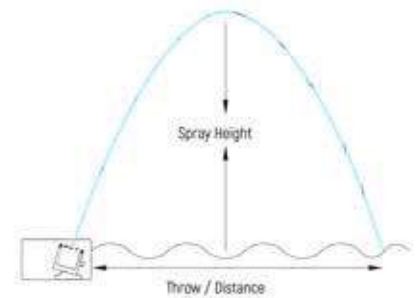
LIGHTING:

12V DC X 6W RGB LED

12V DC X 8W RGBW LED

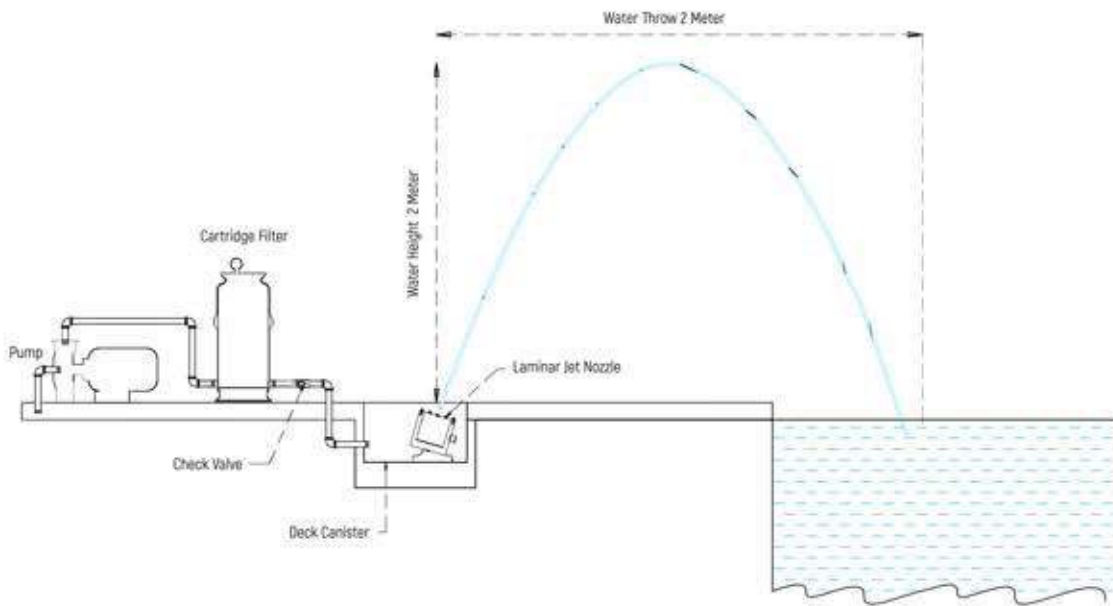
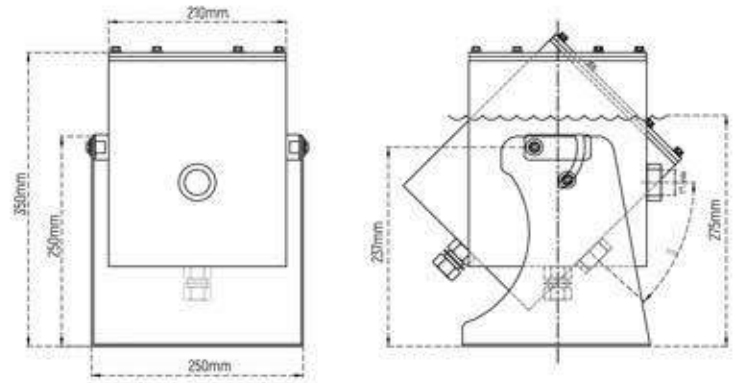
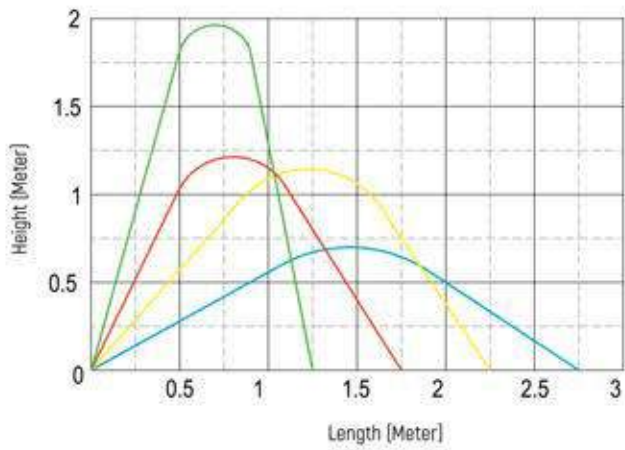
HYDRAULIC DATA

Model	BSP	Orifice	Height in Meter	0.50	1.00	1.50	2.00	2.50
PF L108	1"	10mm	Throw in Mtr	0.50	1.00	1.50	2.00	2.50
			LPM	17	22	26	32	38
			Head in Meter	2	2.50	3.00	3.50	4.00



Note:- Water quality should maintain as per below described parameter

- 1) Hardness of water: 8^o to 15^o dH
- 2) pH Value: 7.2 to 7.6
- 3) Free Chlorine Maximum: 0.3mg/Liter
- 4) Chloride contents: Max 250mg/Liter
- 5) Dry residue Max: 50mg/Liter
- 6) Water temperature: 5^o to 35^oC



Benefit of Cartridge filter:

Cartridge filter will be removed dust and turbulence from the water. Non-turbulence pressure is compulsory for laminar jet.



SLAB HANGING DRY DECK JET



DESIGN / APPLICATION DATA:

This Jet is preferred and popular solutions for dry deck fountains. Jet coming with constant flow (Not programmable) and made from Stainless steel. It is designed to be safe walk on top as it is absolutely flat. Can be adjust upto 5° from center line

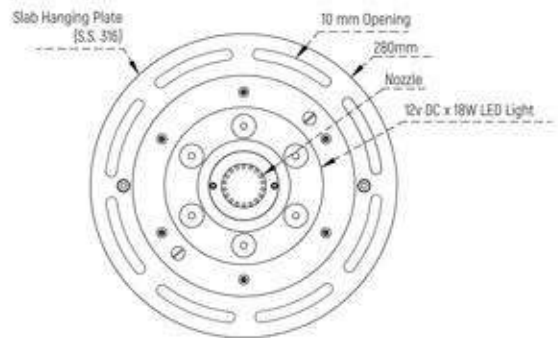
This jet is easy to maintain incorporates a nozzle and a circular light ready to install unit. Available with 2 different inchargeable nozzle options.

SPECIFICATION DATA:

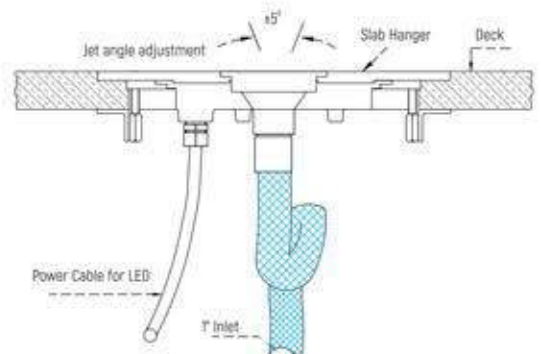
Material of construction is Stainless steel 316.

LIGHTING:

Circular LED light 12V DC x 18W



SHJ018

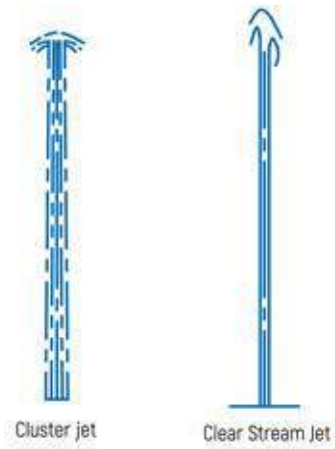


HYDRAULIC DATA

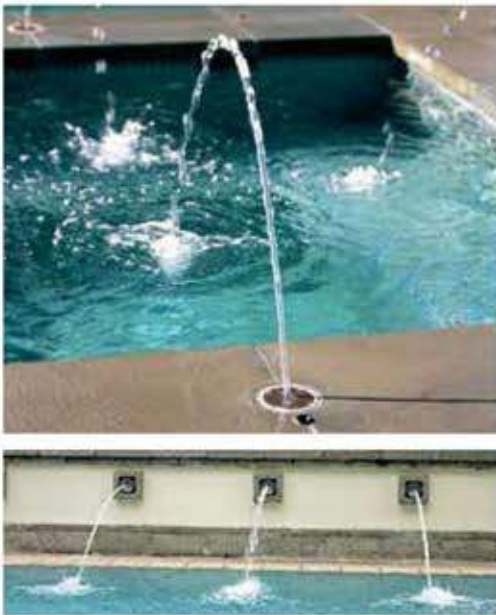
Nozzle		Spray height in Meter				
		1.00	1.5	2.00	3.00	4.00
Cluster Jet	LPM	42	50	58	68	78
	Head in Meter	5.50	8.00	10.00	14.00	20
	Spread in MM	520	800	900	1200	1600

Nozzle		Spray height in Meter				
		1.00	1.5	2.00	3.00	4.00
Clear Stream Effect	LPM	30	35	40	50	60
	Head in Meter	3.50	5.5	7.00	10.00	13.00
	Spread in MM	460	610	650	650	950

Nozzle Effects



DECK JET

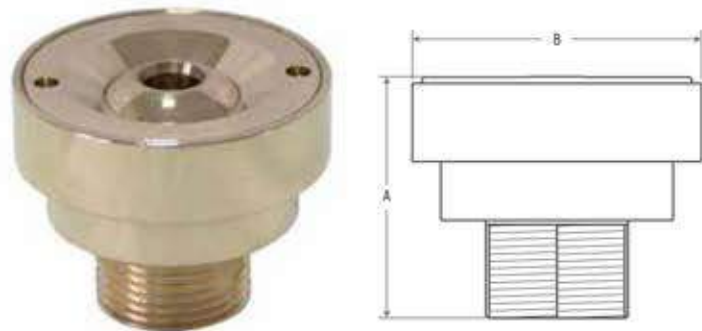


DESIGN / APPLICATION DATA:

This directionally adjustable clear stream nozzle is designed for applications that required flush deck level mounting such as swimming pool decks and children public water play area.

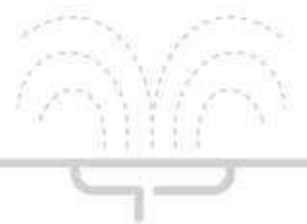
SPECIFICATION DATA:

Material of construction is bronze



HYDRAULIC DATA

Model No.	BSP	Orifice in mm	Dimension A (mm)	Dimension B (mm)		Spray Height in Meter									
						0.25	0.50	0.75	1.00	1.25	1.50	2.00	2.50	3.00	4.00
DJ25	1"	10	54	66	LPM	13.80	18.38	21.87	24.88	27.57	30.03	34.47	38.48	42.19	48.90
					Head in Mtr.	0.30	0.60	0.90	1.20	1.51	1.81	2.42	3.03	3.64	4.88



PROGRAMMABLE WATERSWITCHES

DESIGN / APPLICATION DATA:

Dry fountains are currently popular. We can find this type of water display in public squares, shopping centres, water parks and gardens where they attract children & even all age people.

Aquascape Waterswitches can produce a wide variety of rhythm & geometric patterns like spirals, tilting, dancing ribbons, travelling waves and bursting fireworks. The waterswitches can produce programmed effects at high switching speeds (Up to 10 times per second) with no water hammer. Aquascape waterswitches are designed for dry deck or suspended slab fountains and provide an adjustable nozzle 5° from centre line.

Listed below, you will find a range of the most common Waterswitch applications.



SWS206



SWS206SS



SHW018



SWS206SS
WITH NICHE



SHW018
WITH NICHE

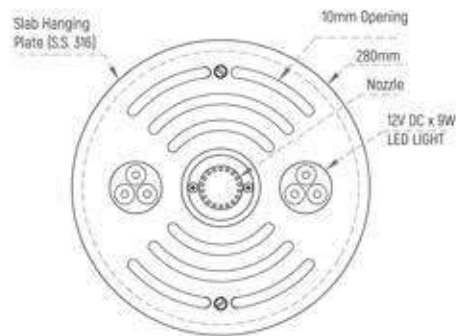


SMW100

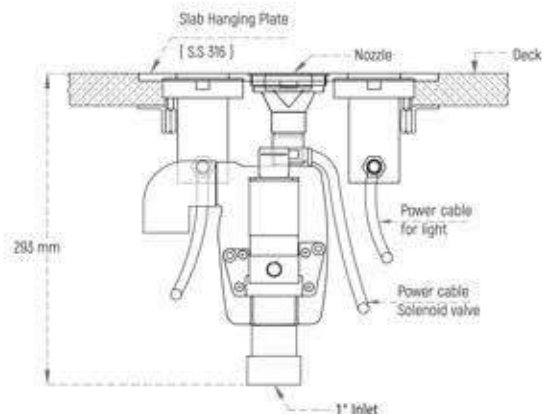
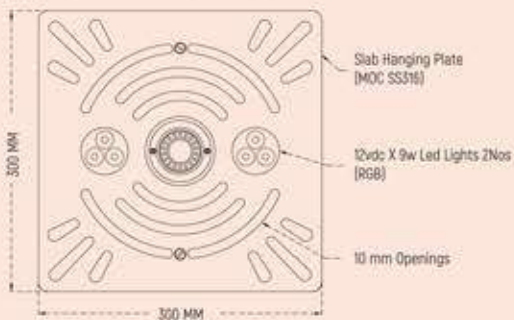
SWS SERIES SLAB HANGING PROGRAMMABLE WATERSWITCH



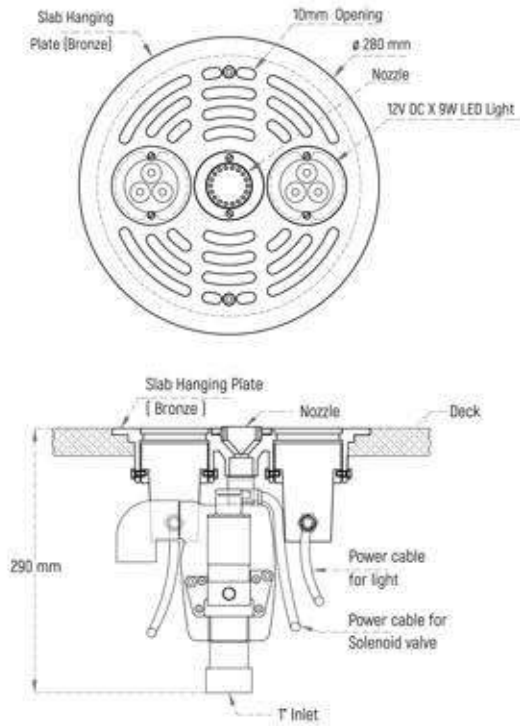
SWS206SS (Stainless Steel 316)



Option (with Square Top)



SWS206 (Bronze)



SPECIFICATION DATA

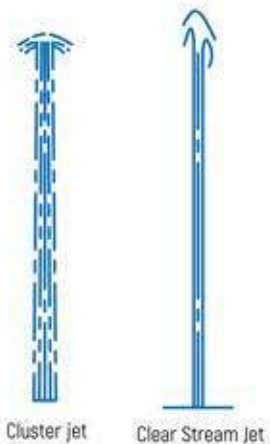
Model	Inlet Connection	Decorative Grill Dia in mm	Grill thickness In mm	Opening Drain in mm	MOC
SWS206SS	1"	280	6	10	Stainless Steel 316
SWS206	1"	280	6	10	Bronze

SOLENOID VALVE

Voltage	24V AC
Wattage	5W
Inrush Current	20 VA
Holding current	11 VA

LED LIGHTING

Light Quantity	2 Nos each per unit
Voltage	12V DC
Wattage	9W
Colour	RGB
Cable	H07RN-F 4 Core Rubber Cable 0.75mm ² 4 nos - R/G/B/V+
Certification	IP68



HYDRAULIC DATA

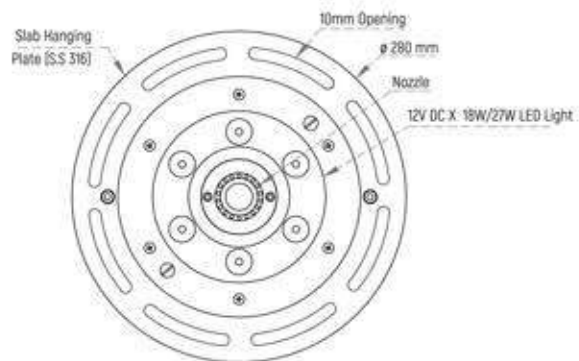
CLUSTER EFFECT	Spray height in Meter				
	1	1.5	2	3	4
LPM	42	50	58	68	78
Head in Meter	5.50	8.00	10.00	14.00	20
Spread in MM	520	800	900	1200	1600

CLEAR STREAM EFFECT	Spray height in Meter				
	1	1.5	2	3	4
LPM	30	35	40	50	60
Head in Meter	3.50	5.5	7.00	10.00	13.00
Spread in MM	460	610	650	650	950

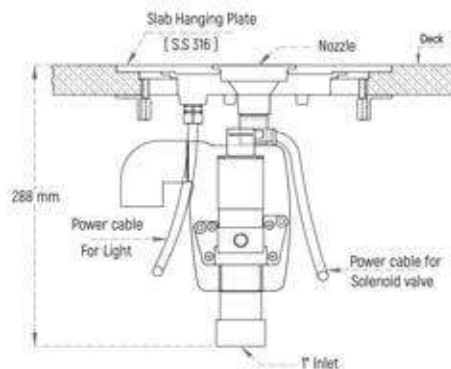
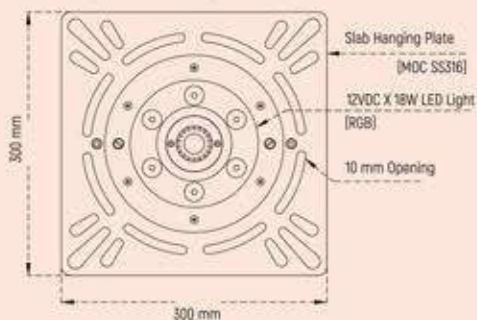
SHW SERIES SLAB HANGING PROGRAMMABLE WATERSWITCH



SHW018



Option (with Square Top)



SPECIFICATION DATA

Model	Inlet Connection	Decorative Grill Dia in mm	Grill thickness In mm	Opening Drain in mm	MOC
SHW018	1"	280	6	10	Stainless Steel 316

SOLENOID VALVE

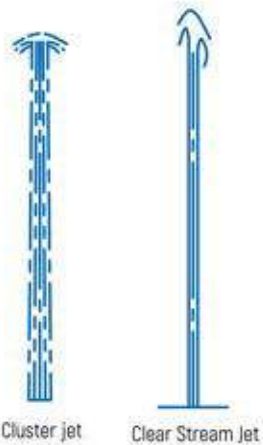
Voltage	24V AC
Wattage	5W
Inrush Current	20 VA
Holding current	11 VA

LED LIGHTING

Light Type	Circular Type
Voltage	12V DC
Wattage	18W/27W
Colour	RGB
Cable	H07RN-F 4 Core Rubber Cable 0.75mm ² 4 nos - R/G/B/V+
Certification	IP68



HYDRAULIC DATA



CLUSTER EFFECT	Spray height in Meter				
	1	1.5	2	3	4
LPM	42	50	58	68	78
Head in Meter	5.50	8.00	10.00	14.00	20
Spread in MM	520	800	900	1200	1600

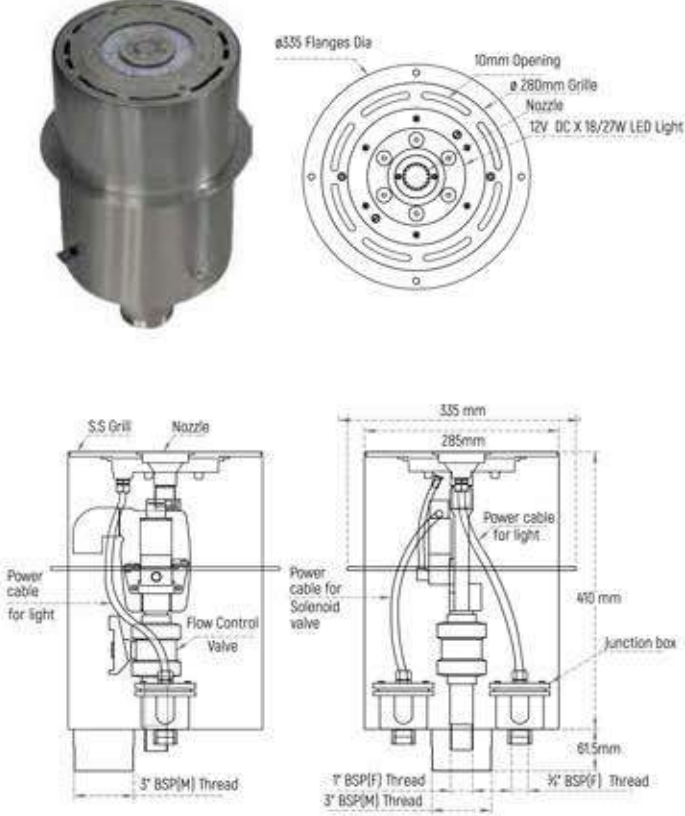
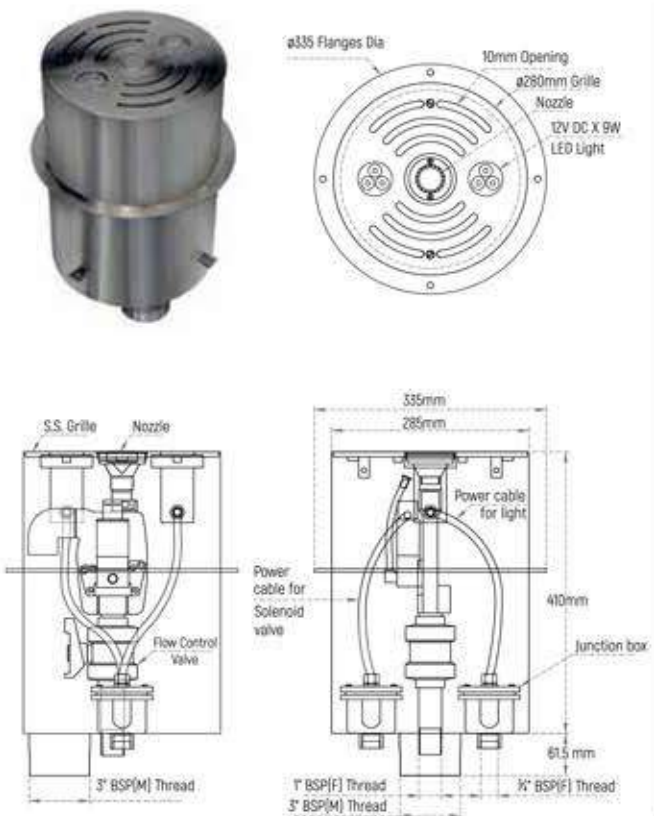
CLEAR STREAM EFFECT	Spray height in Meter				
	1	1.5	2	3	4
LPM	30	35	40	50	60
Head in Meter	3.50	5.50	7.00	10.00	13.00
Spread in MM	460	610	650	850	950

SWS SERIES PROGRAMMABLE WATERSWITCH WITH NICHE



SWS206SS WITH NICHE

SHW018 WITH NICHE



SPECIFICATION DATA

Model	Inlet Connection	Decorative Grill Dia in mm	Flanges Dia in mm	Grill thickness in mm	Opening Drain in mm	MOC
SWS206SS WITH NICHE	1"	280	335	6	10	Stainless Steel 316
SHW018 WITH NICHE	1"	280	335	6	10	Stainless Steel 316

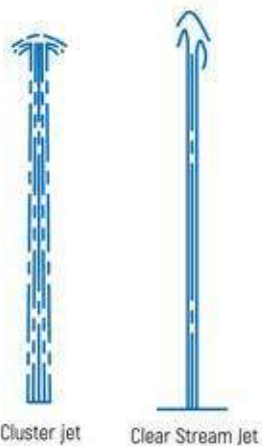
SOLENOID VALVE

Voltage	24V AC
Wattage	5W
Inrush Current	20 VA
Holding current	11 VA

LED LIGHTING

Model	Nos. of LED light	Voltage	Wattage	Colour
SWS206SS WITH NICHE	2 Nos each	12V DC	9W	RGB
SHW018 WITH NICHE	1 Nos (Circular)	12V DC	18W/27W	RGB

Cable: H07RN-F 0.75mm² 4 Core Rubber Cable (4 nos - R/G/B/V+)
Certification: IP 68



HYDRAULIC DATA

CLUSTER EFFECT	Spray height in Meter				
	1	1.5	2	3	4
LPM	42	50	58	68	78
Head in Meter	5.50	8.00	10.00	14.00	20
Spread in MM	520	800	900	1200	1600

CLEAR STREAM EFFECT	Spray height in Meter				
	1	1.5	2	3	4
LPM	30	35	40	50	60
Head in Meter	3.50	5.5	7.00	10.00	13.00
Spread in MM	460	610	650	650	950

SMW SERIES PROGRAMMABLE WATERSWITCH (STAND MOUNTED)



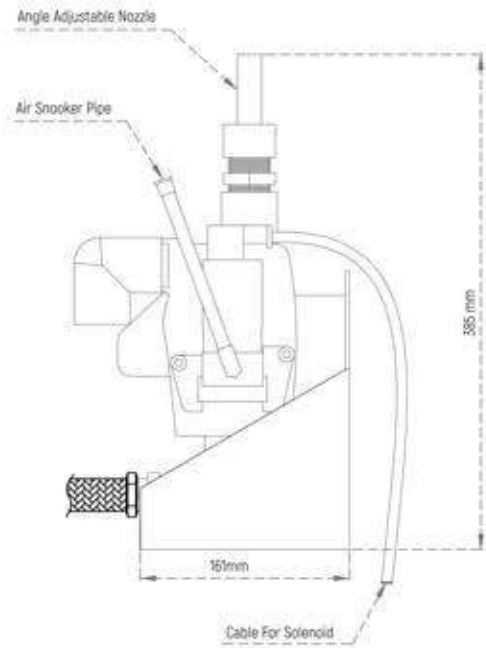
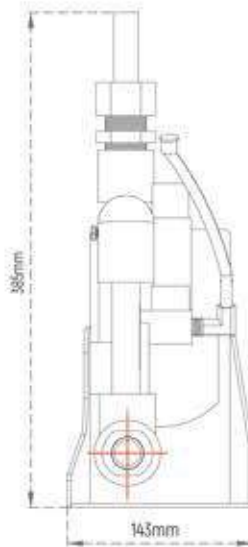
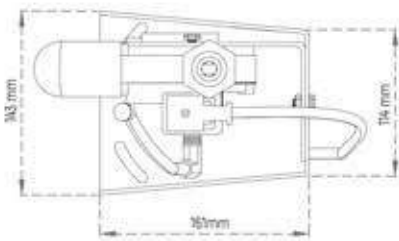
DESIGN / APPLICATION DATA:

The Aquascape Stand Mounted Waterswitch is water level independent sequencing nozzle. The nozzle produces programmer effect at high switching speed, when receiving signal from PLC it can produce wide verity of geometric patterns. Varying height can be produced using a VFD pump.

SPECIFICATION DATA:

- Construction of the nozzle is plastic and Stainless Steel
- 24V AC signal and common for sequencing device 5W non-polarized coil. Inrush current 20V, holding current 11V
- Can be adjust up to 5° from the centre line Spray

SMW100



HYDRAULIC DATA

Model No.	BSP (inlet)	LPM	Spray height in Meter					
			1.00	1.50	2.00	2.50	3.00	4.00
SMW100	1"		35	50	60	70	73	81
		Head in Mtr	6.50	11.00	17.00	21.50	23.00	25.00

BALL JOINT DIRECTION SWIVEL UNION

DESIGN / APPLICATION DATA:

PF 800 Series directional swivel unions (Ball joint) are used to align those jets and nozzles that do not have a swivel base incorporated and required directional adjustment beyond 5 to 15 off centerline.

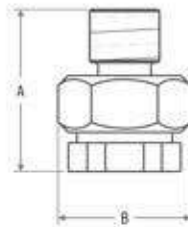
SPECIFICATION DATA:

Material of construction is made from cast bronze with teflon sealing and Stainless steel fasteners.

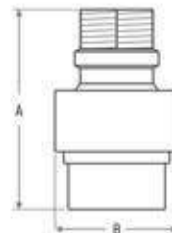
Model No.	BSP	Dimension A (mm)	Dimension B (mm)
PF 803	1/2"	60	34
PF 804	1/2"	72	45
PF 805	1"	62	98
PF 807	1 1/2"	75	116
PF 808	2"	90	136
PF 809	2 1/2"	103	155
PF 812	3"	110	175
PF 813	4"	129	197



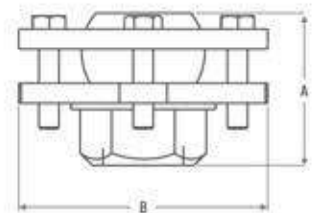
PF 803



PF 804



PF 805 to PF 813



ADJUSTABLE FLANGES

DESIGN / APPLICATION DATA:

Adjustable Flanges are made from cast bronze and Stainless steel fitted. Adjustment Flanges are designed to permit limited directional adjustment of spray jets or nozzles that do not have swivel bases. Maximum 5 degree of adjustment from centre line is possible.

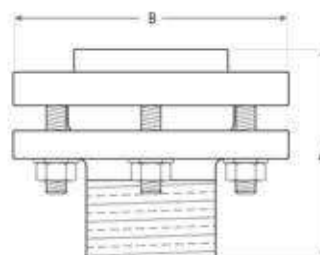
TO ADJUST:

Loosen bolts on opposite side to intended direction of adjustment and tighten bolt in line of intended adjustment then lock all bolts.

SPECIFICATION DATA:

Material of construction is cast bronze with teflon sealing and Stainless steel fasteners.

Model No.	BSP	Dimension A (mm)	Dimension B (mm)
PF 905	1/2"	61	84
PF 907	1 1/2"	77	102
PF 908	2"	80	119
PF 909	2 1/2"	80	130
PF 912	3"	83	162
PF 913	4"	87	186



JUNCTION BOXES

DESIGN / APPLICATION DATA:

Aquascape Junction Boxes made from cast bronze, Stainless steel fitted and with a neoprene cover gasket. Outlet is NPT tapped for 1/2" or 3/4" NPT Cord seals and for internal and external (earth) connections. Aquascape Junction Boxes must be installed in conformance with all applicable electrical codes. The conduit connection(s) as well as cord seals must be installed with approved water sealing thread seal.

Notes:

- All Tapings are NPT unless specified.
- Otherwise conduit number and size must be specified.
- Outlets must be specified as to number and size [1/2" or 3/4"].
- Orders without outlet specifications will be supplied with maximum number of 1/2" NPT outlets.
- Unused openings must be closed with brass or Stainless steel
- NPT threaded plugs.



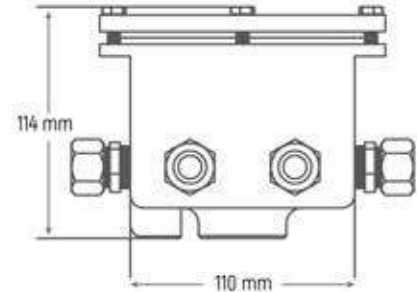
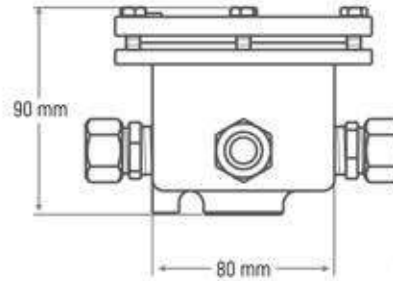
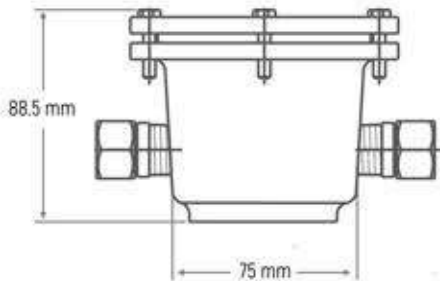
AJB2



AJB4

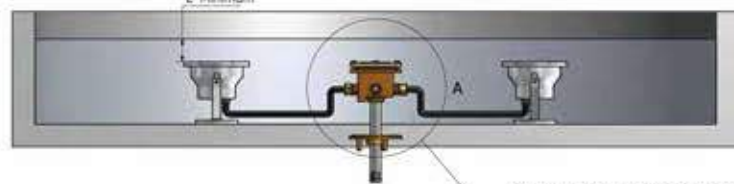


AJB8



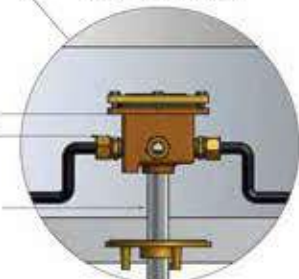
Model No.	Bottom Inlet	Side outlets	Side outlets connection Nos
AJB2	1/2" NPT	1/2"	2
AJB4	3/4" NPT	1/2"	4
AJB8	1" NPT	1/2"	8

Junction Box and Fixture installation For Base or Yoke Mount



Underwater Junction box Installation Detail For Base Or Yoke Mount Fixtures

UNDER WATER JUNCTION BOX
CORD SEAL
STUB UP



CORD SEAL

DESIGN / APPLICATION DATA:

Cord seals are made from brass and fitted with neoprene gland. Cord seals are used to connect most "Aquascape" submersible light fixtures and junction boxes.

Model No.	NPT connection	Suitable Cable	Cable Dia (OD)
ACS30	3/8"	0.75 mm x 4 Core	8mm
ACS50	1/2"	1.05 mm x 3 Core	9mm/11mm
ACS51	1/2"	2.5 mm x 3 Core	12mm/15mm
ACS75	3/4"	4.00 mm & 6mm x 3 Core	15mm



HEIGHT CONTROL VALVE



HCV100	3/8" Height Control Valve
HCV150	1/2" Height Control Valve
HCV200	3/4" Height Control Valve
HCV250	1" Height Control Valve
HCV400	1 1/2" Height Control Valve

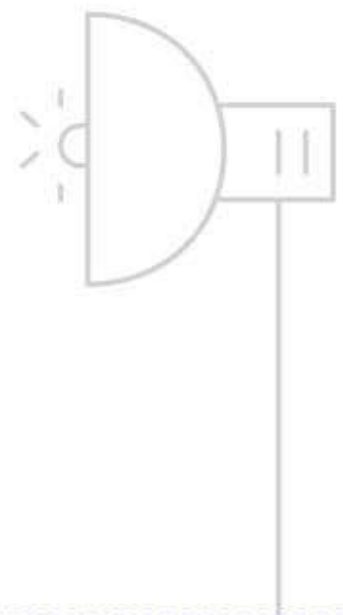
JACUZZI







UNDERWATER FOUNTAIN LIGHTING



DESIGN / APPLICATION DATA:

Aquascape products have become even more maintenance-friendly and durable through permanent optimisation and advancement. Thanks to creative lighting solutions, we are able to meet the highly individual requests of our customers even more effectively, while at the same time complying with all safety regulations and standards.

This is why an ever increasing number of national and international architects, lighting designers, wholesalers and speciality retailers rely on our quality. And every night, a few more Aquascape lights go on: in fountains & in swimming pools. Our lights have been applied for many projects all over the world.

TRADITIONAL LIGHTING



PF 1500



PF 3000



PF 3500



PF 5000

LED LIGHTING



LED003



LED009



LED012



LED018CR

TRADITIONAL SUBMERSIBLE FOUNTAIN LIGHTS



DESIGN / APPLICATION DATA:

Aquascape Traditional Fountain lights are made from cast bronze and suitable for Submersed or Partial immersed installation. The light fixture is designed for more illumination in water fountain.

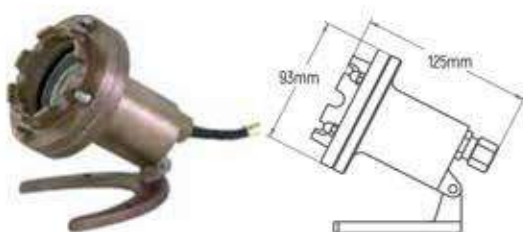
CONSTRUCTION OF LIGHT FIXTURE:

Cast bronze (85/5/5/5 copper alloy) with Stainless steel fasteners.

ELECTRICAL CABLE: H07RN-F

LAMP SEAL:

High temperature silicon rubber 'O' ring around neck of lamp.



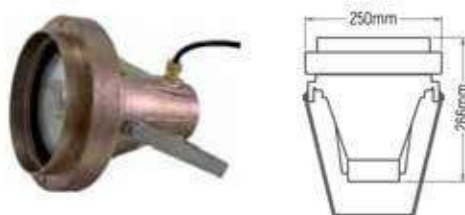
Model No.	Voltage	Wattage	Cable outlets	Type of Lamp
PF 1500	12V	50W	1	MR16



Model No.	Voltage	Wattage	Cable outlets	Type of Lamp
PF 3000	12V	120W	1	PAR 38
	240V	120W		



Model No.	Voltage	Wattage	Cable outlets	Type of Lamp
PF 3500	24V	300W	1	PAR 56
	240V	300W		



Model No.	Voltage	Wattage	Cable outlets	Type of Lamp
PF 5000	240V	500W	1	PAR 64
	240V	1000W		

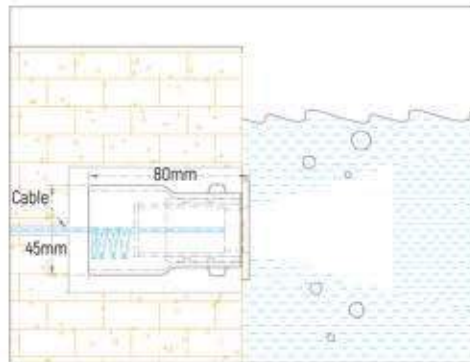
LED003

3W SMALL NICHE LED LIGHT (INGROUND)

DESIGN / APPLICATION DATA:

LED003 Light is suitable as spot light for Fountains, pools, ponds, water gardens etc. Also this light designed for step and brick light. It can be used in masonry and wood constructions. These fixtures are designed to safely illuminate stairways and walkways. For the effect shown below, the steps are gently illuminated leading up to the doorway to ensure safety.

Light fixture completely realized in stainless steel with ABS Plastic niche. The Led light is available with either a warm or white LED. Submersion depth 1 meter.



Model	Voltage	Wattage	Colour Available
LED003	12V DC	3W	WHITE / WARM WHITE



SPECIFICATION:

Light source	Integral LED-module
MOC	Material Housing: Stainless Steel 316 Optical: Acrylic lens Transparent safety glass Silicone o-ring
LED Type	Power Led
Cable type	2 Mtr. H07RN-F power cable
Energy Consumption	Low
Driver	Built-in

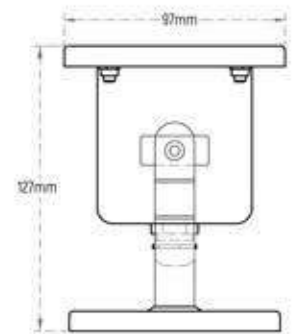
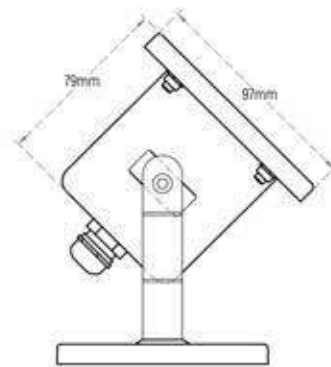


LED009

9W LED UNDERWATER FOUNTAIN LIGHT

DESIGN / APPLICATION DATA:

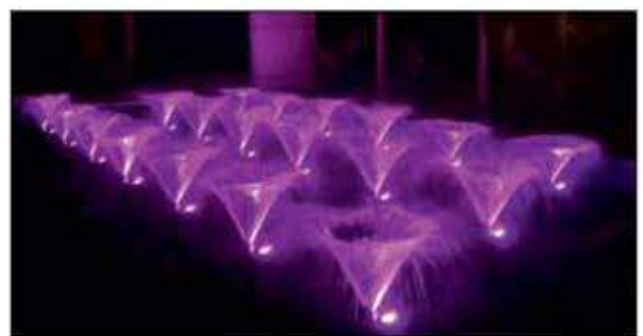
LED009 light is a high quality IP68 LED light suitable for all underwater lighting applications. The fittings are constructed from Stainless Steel 316 and incorporate the latest LED technology. The light has designed for medium-scale underwater Projects, including commercial ponds & water features etc. The fitting is supplied with adjustable stand.



Model	Voltage	Wattage	Colour Available
LED009	12V DC	9W	RGB / WARM WHITE WHITE / BLUE / RED

SPECIFICATION:

Light source	Integral LED-module
MOC	Material Housing: Stainless Steel Optical: Acrylic lens Cover: tempered glass Gasket: silicone rubber Transparent safety glass Stainless steel screws
LED Type	Power Led
Protection system	IP68 with maximum immersion depth 1 mtr
Cable type	3 Mtr. H07RN-F power cable
Energy Consumption	Low
Driver	Built-in



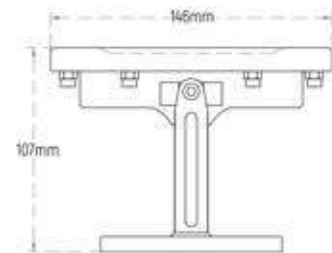
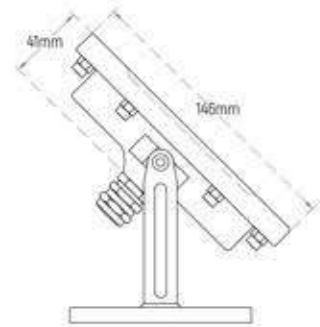
LED012

12W LED UNDER WATER FOUNTAIN LIGHT

DESIGN / APPLICATION DATA:

LED012 lights are ideal for any underwater Fountain & pool application. The fittings are IP68 submersible rated, and are manufactured from Stainless Steel 316 for maximum performance and style. The fittings produce exceptional light output thanks to the powerful Power LED and are available in single colour or RGB options.

The fittings come with an adjustable Stand which makes for easy positioning for the best effect.



Model	Voltage	Wattage	Colour Available
LED012	12V DC	12W	RGB/ WHITE/WARM WHITE

SPECIFICATION:

Light source	Integral LED-module
MOC	Material Housing: Stainless Steel Optical: acrylic lens Cover: tempered glass Gasket: silicone rubber Transparent safety glass Stainless steel screws
LED Type	Power Led
Protection system	IP68 with maximum immersion depth 1 mtr
Cable type	3 Mtr. H07RN-F power cable
Energy Consumption	Low
Driver	Built-in



LED018CR

18W/27W RING TYPE LED FOUNTAIN LIGHT

DESIGN / APPLICATION DATA:

LED018CR LED light is one of our circular LED lights. This light comes with a centre hole connection size is 1 1/2" & you can accommodate many Aquascape nozzles. This general-purpose underwater light is suitable for wet & dry locations and provides good up-lighting. The fittings are IP68 submersible rated and manufactured from Stainless Steel 316 for maximum performance and style.



Model	Voltage	Wattage	Thread connection	Colour
LED018CR	12V DC	18W /27W	1 1/2"	RGB/ WARM WHITE

SPECIFICATION:

Light source	Integral LED-module
MOC	Material Housing: Stainless Steel Optical: acrylic lens Cover: tempered glass Gasket: silicone rubber Transparent safety glass Stainless steel screws
LED Type	Power Led
Protection system	IP68 with maximum immersion depth 1 mtr
Cable type	3 Mtr. H07RN-F power cable
Energy Consumption	Low
Driver	Built-in





UNDERWATER LIGHTS



FIBRE OPTIC GENERATORS

The generators are light sources fitted with special lights that permit us obtaining maximum lighting intensity in fibre optic installations. The new Series 100 and 300 light sources generators replace the two light sources Series 2000 and 404 marketed till last year. Market competitiveness has led us to develop our own product, which offers higher performance at lower cost.



FOUNDAIN LED POND LIGHT

Stainless steel underwater fountain lights and pond lights with low energy consumption LED's allow to change colors or use fixed colors For underwater or out of water use. Maintenance free. Extra long life. Largest variety of underwater lighting. These Water Lights are great for ponds, fountain lighting, Koi pond lights, Fish Tanks, Aquarium lighting, water features, pool, spa etc. We offer them in many styles and many materials. Low voltage 12v underwater lights. All our Under water lights are made of high quality material and are built to last in under water conditions. You may use all of our fountain lights with clear or colored LEDs. The color changing LED fountain light offers a new dimension to water effects and makes fountain more dynamic. It is perfect to illuminate animated fountains. Fountain light must be connected to led driver. The led driver allows to set colors, intensity and speed variations with preset combinations



COMPOSITE MINI UNDERWATER SPOTLIGHT



STAINLESS STEEL UNDERWATER SPOTLIGHT



LED UNDERWATER "MIST MAKER" LIGHT PUCK LED



LED UNDERWATER LIGHT WHITE & WARM LIGHT



LED UNDERWATER LIGHT WHITE & WARM LIGHT



LED UNDERWATER LIGHT 12 V - 9W - 12 W & 27 W

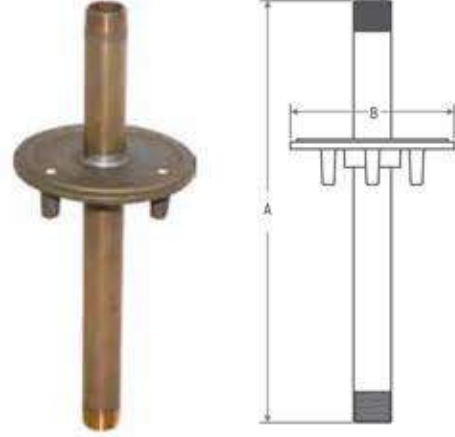
STUB UP

DESIGN / APPLICATION DATA:

Aquascape conduit Stub Ups provide of water tight, secure and strong penetration through concrete in to fountain pool's floor or walls. Provided with BSP (M) thread connection on either side. The cast bronze Junction boxes are threaded down securely on top. It works with Junction Boxes.

SPECIFICATION DATA: Material of construction is bronze paddle flanges with brass pipe.

Model No.	BSP	Dimension A (mm)	Dimension B (mm)
DISU75	¾"	305	116
DISU100	1"	305	116
DISU125	1 ¼"	305	116
DISU150	1 ½"	305	116



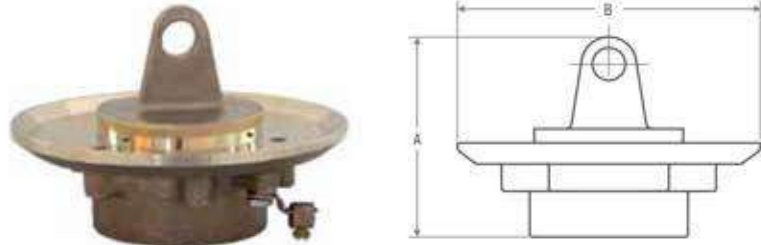
OUTLET DRAIN

DESIGN / APPLICATION DATA:

Aquascape Outlet drains for draining pools. Plug has slip connection for easy removal. Ideal for applications that do not require waterproofing membranes and clamp collars.

SPECIFICATION DATA: Material of construction is bronze.

Model No.	BSP	Dimension A (mm)	Dimension B (mm)
DIOD200	2"	112	165
DIOD300	3"	125	165
DIOD400	4"	125	165



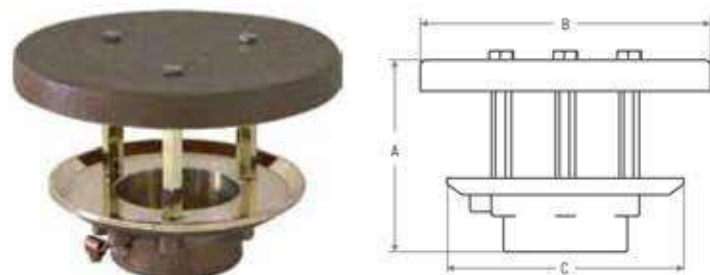
INLET FITTINGS WITH FIBRE DIFFUSER

DESIGN / APPLICATION DATA:

Aquascape inlet fittings with diffusing cover are designed for use as bottom water inlet to disappear flow and reduce surface turbulence. Ideal for cascade fountains and waterfalls.

SPECIFICATION DATA: Material of construction is bronze with Fiber glass Anti-Vortex plate.

Model No.	BSP	Dimension A (mm)	Dimension B (mm)	Dimension C (mm)
DIIF200	2"	146	203	165
DIIF300	3"	173	305	220
DIIF400	4"	180	305	220



OVERFLOW DRAIN HEAVY DUTY

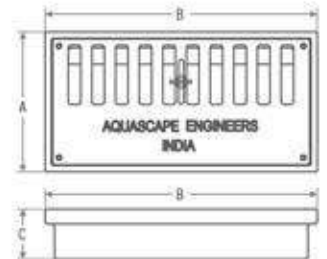
DESIGN / APPLICATION DATA:

Aquascape Heavy duty wall mounted over flow drain regulates water level. Excess water spills over adjustable weir. Single screw adjusts the weir plate to desired level after installation.

SPECIFICATION DATA:

Construction of the drain body and grate shall be bronze with Stainless steel adjustable weir plate and neoprene water tight gasket. All fasteners are A stainless steel 316.

Model No.	BSP	Dimension A (mm)	Dimension B (mm)	Dimension C (mm)
DIO300	3"	158	305	56
DIO400	4"	158	305	56



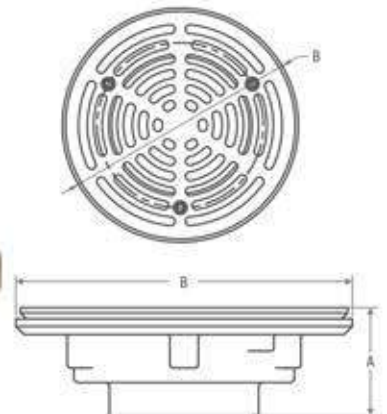
FOOT FRIENDLY SUCTION DRAIN

DESIGN / APPLICATION DATA:

Aquascape Foot friendly suction drain comes with flat grate and it's suitable for interactive water feature. Opening of this drain not more than 10mm. So it prevents toe entrapment.

SPECIFICATION DATA: Material of construction is cast bronze

Model No.	BSP	Dimension A (mm)	Dimension B (mm)
DIFS300	3"	72	216
DIFS400	4"	72	216



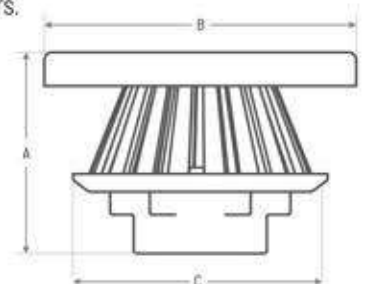
SUCTION DRAIN WITH FIBRE AV PLATE

DESIGN / APPLICATION DATA:

Aquascape Suction drain designed for concrete pools. Cone shaped Steiner with debris and Anti-Vortex plate prevents air entertainment.

SPECIFICATION DATA: Material of construction is bronze with Fiber glass plate and Stainless steel fasteners.

Model No.	BSP	Dimension A (mm)	Dimension B (mm)	Dimension C (mm)
DISD200	2"	180	305	220
DISD300	3"	180	305	220



DIRECTIONALLY ADJUSTABLE INLET FITTINGS

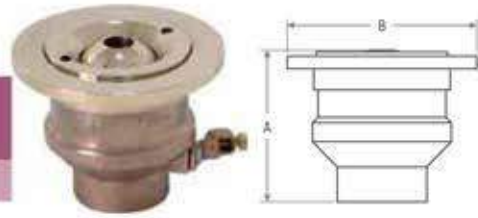
DESIGN / APPLICATION DATA:

Aquascape 1" Inlet Fittings are a directionally adjustable eyeball filter return for pool recirculation without flow regulator.

SPECIFICATION DATA:

Material of construction is cast bronze.

Model No.	BSP	Dimension A (mm)	Dimension B (mm)
DIDA100	1"	72	89



THREAD SLEEVE FITTINGS

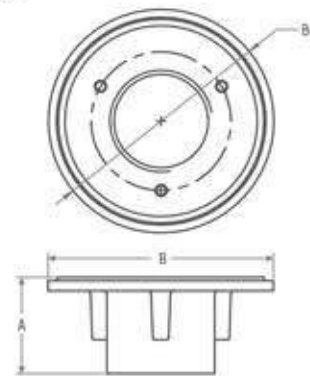
DESIGN / APPLICATION DATA:

Threaded sleeve fitting facilitates watertight penetrations through concrete slabs for supply and drain lines.

SPECIFICATION DATA:

Material of construction is cast bronze with Stainless steel fasteners.

Model No.	BSP	Dimension A (mm)	Dimension B (mm)
DITS75	3/4"	49	116
DITS100	1"	49	116
DITS125	1 1/4"	49	116
DITS150	1 1/2"	49	116
DITS200	2"	49	170
DITS300	3"	72	230



OVERFLOW DRAIN

DESIGN / APPLICATION DATA:

Aquascape Overflow Drains fittings are economical solutions for overflow and outlet. When the over flow pipe is plugged in the excess water (Rain water) is emptied in the drain and when unplugged empties the basin.

SPECIFICATION DATA: Material of construction is cast bronze with Stainless steel standpipe.

Model No.	BSP	Dimension A (mm)	Dimension B (mm)	Dimension C (mm)
DIOF200	2"	600	164	58
DIOF300	3"	600	220	76
DIOF400	4"	600	220	100



DRAIN PLUG

DESIGN / APPLICATION DATA: Aquascape drain plug is made from cast bronze. Removable thread bronze plug. Used as a vacuum fitting too.

SPECIFICATION DATA: Material of construction is bronze

Model No.	BSP	Dimension A (mm)	Dimension B (mm)
DIDP150	1 1/2"	45	90
DIDP200	2"	50	115



FRAME & GRATES

DESIGN / APPLICATION DATA:

Aquascape Frame & Grate is Stainless steel 316 material. Top cover mirror polished (can offer brush finish, on request) and rest of the body is in mill finish.

Model: FG 080

200x 200 mm Frame & grate opening area is 82.68cm². Maximum recommended flow 15m³/hr.

Model: FG 120

300x 300 mm Frame & grate opening area is 249.25cm². Maximum recommended flow 43m³/hr.

Model: FG 200

500x 500 mm Frame & grate maximum recommended flow 43m³/hr.



WALL INLET

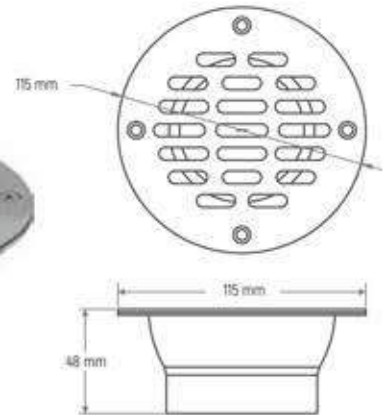
DESIGN / APPLICATION DATA:

Aquascape 2" Wall inlet in Stainless steel 316 material. Top cover is mirror polished (Can offer brush finish, on request) and rest of the body is in mill finish.

Opening area is 23cm².

Maximum recommended flow is 15m³/hr

Model No: WI 020

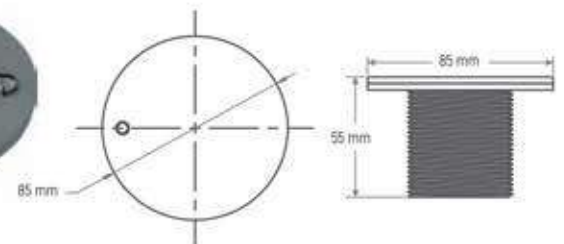


VACUUM POINT (Suction point)

DESIGN / APPLICATION DATA:

1 1/2" Vacuum point (Suction point) in Stainless steel 316 material. Top cover is mirror polished (can offer brush finish on request) and rest of the body is in mill finish.

Model No: VP 015

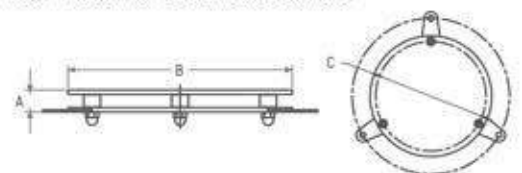


ANTI VORTEX FRAME & PLATE

DESIGN / APPLICATION DATA:

Aquascape Anti vortex frame and plate (Diverter Plate) disappear flow and reduce surface. Made from Stainless steel 316.

Model No	Dimension A (mm)	Dimension B (mm)	Dimension C (mm)
DP 200	30	200	170
DP 300	40	300	260
DP 500	43	500	460

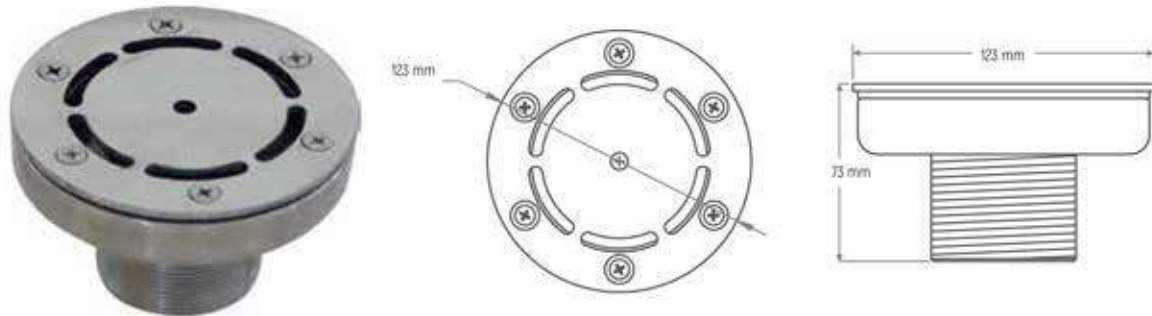


FLOOR RETURN INLET

DESIGN / APPLICATION DATA:

Aquascape Floor Return Inlet having 2" Male thread. Made from Stainless steel 316. For both concrete and pre fabricated pools. Water flow can be adjustable by the centre screw.

Model: FI 020

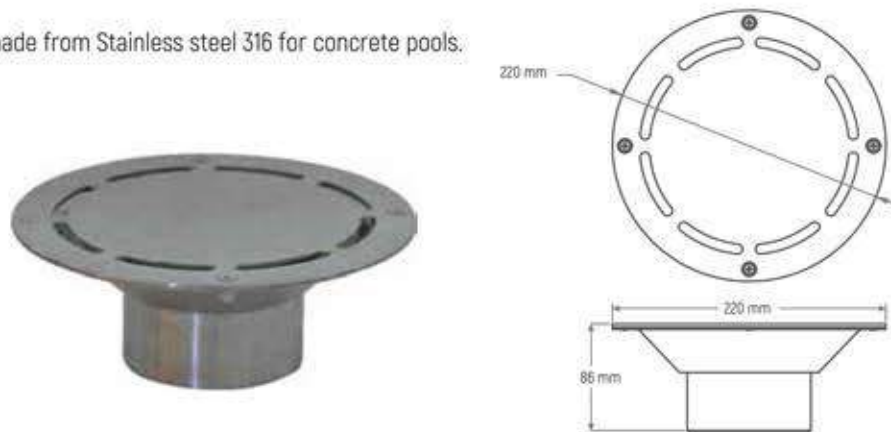


FLOOR INLET

DESIGN / APPLICATION DATA:

Aquascape Floor Inlet 3" Male thread and made from Stainless steel 316 for concrete pools.

Model No : FI 030

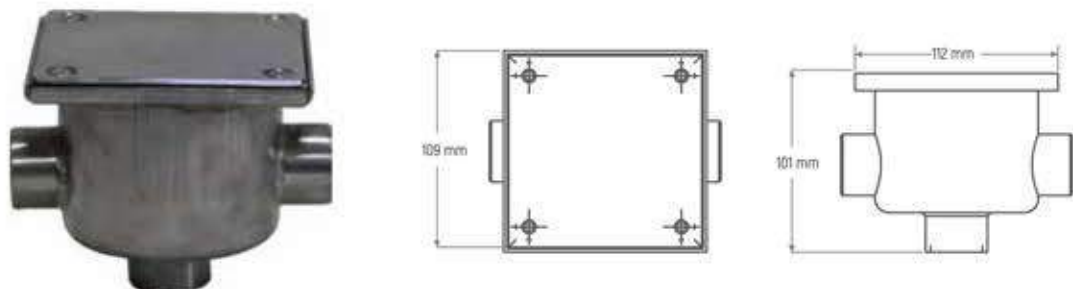


DECK BOX (Connection Box)

DESIGN / APPLICATION DATA:

Aquascape Deck Box (Connection box) made from Stainless steel 316. 2 Side outlets and 1 inlet. All the threads are 3/4" BSP connection.

Model: DB 020



pearl POOL





PEARL SWIMMING POOL



POOL FILTERATION

COMBO FILTRATION SYSTEM

- High filtering capability 5 -25um.
- ABS, PP or PE housing instead of the operation room.
- Does not need pipelines, so it can help with the leakage problem.
- Equipped with auto chemical feeder, chemicals can be sent to pool automatically once the motor start.
- Two vacuum functions. All dirt & debris can be sucked into the skimmer basket or sucked through the vacuum pipe then out.
- Turbo boost massage jet, something like Jacuzzi. and air switch can be used to control the air bubble. And auxiliary jet can assist the massage jet to strengthen the power of the water to massage. Multiple functions: No other underwater light needed, no handrail needed any more, etc.
- Environmental & Reliable: comes with CE approvals.
- Superior Housing: Made out of PP material with the functions of anti corrosion, watertight
- protection, scratches, cracks, tears proof etc...
Digital Control panel: Three groups working time setting, automatic and manual working mode, over voltage, over current protection etc...



FILTRATION SYSTEM "AQUARIUS"

- An exclusive and unique design built with state of the art technology, fully injected 100% food grade Polypropylene guaranteeing maximum reliability and performance.
The "Aquarius" range sand filters have been designed and manufactured using only first grade raw materials.
- 100% polypropylene, ball-shaped body with micro-hole pipe distribution. Supporting base of the double-ring filter to ensure stability.
- Polished and glazed wedges finish
- Filtration system with a 6 way top selector valve assembled on a base with pump and pre-filter.
- Draining micro-hole pipe distribution
- Max. working pressure: 2.5 bar, Test pressure 4 bar.
- Connection filter-valve with clamping collars.
- 3/4" filter discharge
- Standard: UNI 10637:2006 regulation for TYPE D categories
- Warranty: 5 years.



BOBBIN-WOUND SAND FILTERS "MUNICH"

- Bobbin filter with fiber and polyester resin.
- Cover with screw closure, Ø240 die-injected for diameters up to 900 mm and Ø 400 polyester/fibreglass for Ø1100 and Ø1200.
- Fitted with collector arms & diffuser made in UPVC.
- Fitted with pressure gauge, manual air and water purges.
- Multiport valve with six positions filter, backwash, rinse, re-circulate, waste and closed.
- Maximum working pressure of 2.5 bar or 4 bar on demand.
- Test pressure 4 bar or 5.5 bar on demand.
- Warranty: 5 years.
For high pressure add -HP after the filter code.



TRITON II WITH CLEARPRO

- One-piece, fiberglass reinforced tank with UV resistant coating
- Easy-to-read top mounted pressure gauge with manual air relief
- A 360° diffuser to keep the sand bed flat for optimum filtration, has a "swing away" design for instant access to sand
- Easy-to-use water drain for simplified service and winterizing
- All filter fittings are threaded for easy servicing
- Available with ClearPro Technology



INJECTED SAND FILTERS "AQUARIUS" TOP VALVE

- Sand filter with 6 way selector top valve.
- Totally injection molded in polypropylene.
- 100% polypropylene, ball-shaped body with micro-hole pipe distribution. Supporting base of the double-ring filter to ensure stability.
- Polished and glazed wedges finish
- Draining micro-hole pipe distribution
- Working pressure max. 2.5 bar, Test pressure 4 bar.
- Connection filter-valve with clamping collars.
- Lateral side connectors Ø50 mm (for 1/2" valve).
- 3/4" filter discharge
- Constant re-productivity.
- Standard: UNI 10637:2006 regulation for TYPE D categories
- Warranty: 5 years.



POOL FILTERATION

ASTER FILTER - HIGH QUALITY OF FILTRATION

- The filters are manufactured with polyester resin and fibreglass.
- The highest filtering layer is of 0.8m, That gives a mayor quality of filtration than the residential filter this increases the capacity witholding the litle particles.
- Prolongs the time saturation filtration of the layers saving energy consumption, water consumption and chemical products.
- The filter can be used as a single layer or multi layer combine sand with gravel, glass or antracite.
- Fast opening lid.
- Sand drain of 2 1/2" in the bottom part of thefilter.
- Optional sand drain d.200mm.
- Maximum pressure 2.5Bar.
- Optional interior finishing with vinylster for ozone treatment.
- Maximum temperature of 40°.



BERLIN FILTER

Bright satin finish with a transparent varnish dust-repellant coating.
 Ø 400 mm injected lid.
 Complete with pressure gauge, water purges, and multiport valve. Maximum filtration velocity 50 m3/h/m2



SIDE MOUNT SAND FILTERS

Easy access, heavy-duty closure with built-in pressure relief valve makes inspection and maintenance fast and easier
 Two Threaded bulkhead connectors for easier installation and service.
 Three One-piece, fiberglass-reinforced tank with UV-resistant surface finish for years of unequaled strength and durability.



FIBER GLASS SAND FILTERS 'OCEAN'

- Laminated filters in reinforced polyester.
- Transparent lid with pressure gauge in bars.
- UV resistant.
- Delivered with 6 way valve and connections.
- Maximum working pressure ; 2.5 Bar
- Test pressure : 4 Bar.
- Maximum filtration speed : 50 m³/h/m
- Sand granulometry : 0,4 -0,8 mm
- Six way valve included
- 5 years warranty



CANTABRIC FILTER

Ivory colour. Injected thermo-plastic shell with built in base. Supplied with pressure gauge, manual air vent, and multiport valve.
 Maximum filtration velocity: 50 m3/h/m2.
 Maximum working pressure: 2.5 kg/cm2.



VIRON CARTRIDGE FILTER

High capacity cartridge filter.
 4 x 100 Sq Ft or 4 x 150 Sq Ft Elements for extended periods between cleaning, dual 50 mm inlet and outlet barrel unions, oil filled pressure gauge, ideal for rural areas with limited water resources or area with water restrictions. Limited 5 year warranty on tank, 12 months on other components.



SIDE MOUNT SAND FILTERS

- One-piece, fibreglass reinforced tank with UV resistant coating
- 10 year tank warranty
- Easy access, heavy-duty closure with built-in pressure relief valve makes inspection and maintenance fast, safe and easy (Triton® II)
- Top-mounted six-position multi-port valve with sight glass, built-in pressure gauge, manual air relief valve, flange connections and clamp ring to make inspection and routine maintenance fast, safe and easy
- Flow system design controls filtration quality and ensures maximum run times between backwashing to save you time



QUARTZ SAND



PUMPS



SELF PRIMING PUMP
3.5HP | 4.5HP | 5.5HP & 7.5HP
3 PHASE ONLY



SELF PRIMING PUMP
5.5HP | 7.5HP & 10HP
3 PHASE ONLY



SELF PRIMING PUMP
0.5HP | 1HP | 1.5HP | 2HP & 3HP
3 PHASE & SINGLE PHASE



VIRON PUMP



SUBMERSIBLE PUMPS
"DRENOX"



SUBMERSIBLE PUMP



COUNTER-CURRENT NOZZLE



CAST IRON PRE FILTER



CAST IRON PRE FILTER

AIR BLOWERS

INTERMITTENT OPERATION AIR BLOWER



Intermittent operation air blower of 0.74 kW and 1.10 kW.

SELF PRIMING PUMP "MAGNUS"



- High-volume self-priming pump available in 2 and 4 poles versions ideal for larger filtration systems. Features large suction side pre-filter which together with excellent hydraulic performance ensures

extremely high filtration capacity, together with its excellent hydraulic performance, gives a very large filtering capacity.

- Filter with polycarbonate cover for easy viewing of pre-filter basket contents.
- Features standard connection flanges which together with a broad base make the polypropylene resistant to pool chemicals. Pre-filter basket in polythene. Polycarbonate pre-filter cover with four-pin closure system.

SELF PRIMING PUMP "EUROSWIM"



- High efficiency self-priming centrifugal pumps with builtin large capacity prefilter
- Extremely quiet running and great reliability, developed for water

circulation and filtration in domestic and residential swimming pools. Suitable also for special applications that call for handling of aggressive liquids, in fish farms, agriculture and industry. Pump body in fibreglass reinforced technopolymer. Strainer cover in clear antioxidant polycarbonate to guarantee constant visibility through time.

Nylon strainer. Impeller in fibreglass-reinforced technopolymer developed to ensure total coverage and isolation of the motor shaft from the pumped liquid.

- Diffuser in reinforced technopolymer. Mechanical seal in carbon/alumina/NBR/AISI 316.
- Pump body O-rings in NBR, threaded fasteners and reinforcing rings in AISI 304.
- Butterfly drain plugs that can be removed and refitted without tools
- Asynchronous continuous duty 2-pole motor (SI) with generous range of power ratings from 0.5 HP to 3 HP, single phase and three-phase
- Motor casing in die cast aluminium with electrophoretic surface treatment to prevent oxidation even in aggressive environmental conditions.

AIR BLOWERS



Air pump designed for spas, baths, hydro massage installations and similar which produces a constant stream of air bubbles at medium and high air volume levels. It can also be used to stir up the filter bed, for example in back wash cycles where a low intensity air current is required. The filter casing and impeller are made from an injected aluminium alloy whilst the motor spindle is

The motors, single phase or 3 phase for continuous use, are made from steel in compliance with CEI 2/3 1988 regulations, and feature IP54 external protection and class-F insulation. The standard voltages are 100-120/200-240V for the monophase range and 200-240/380-440V for the triphase models, at 50/60Hz. The turbines have a maximum working temperature of 40°C. Do not use in conjunction with aggressive, inflammable or explosive gases. Please consult for technical variations.

SELF PRIMING PUMP "OPTIMA"



- Electrical self priming pump for swimming pools with a large pre-filter, which together with its excellent hydraulic performance, gives a very large filtering capacity.
- A filter with a transparent polycarbonate lid that easily allows inspection of the interior of the pre-filter sieve.
- No possible electrical contact with the water as no part of the motor is open to it.

- Pump body, lid and diffuser in polypropylene, resistant to the chemical products in pools and reinforced with glass fiber, guaranteeing excellent duration. • 2900 R.P.M.
- Shaft in stainless steel AISI-316. Noryl impeller. • Transparent lid in polycarbonate. Support base in aluminium. • Mechanical seal in carbon-ceramic and stainless steel AISI-316 (ready to work with sea water). Bolts in AISI-304 stainless steel. • The pumps allows two possible connections: - Female thread of 1/2", - Connection for PVC pipe Ø50 to glue • Standard asynchronous motor, sealed from external ventilation. Protection IP-55 50 Hz. • Class F insulation. Motor bearings greased for life and selected to ensure long duration and silent working.

SELF PRIMING PUMP "WINNER"



- Electrical self priming pump for swimming pools with a large pre-filter, which together with its excellent hydraulic performance, gives a very large filtering capacity.
- A filter with a transparent polycarbonate lid that easily allows inspection of the interior of the pre-filter sieve.
- No possible electrical contact with the water as no part of the motor is open to it. Includes a standard key for effortless opening of the pre-filter lid, and fittings kit for gluing.

- Pump body, lid, diffuser and opening key in polypropylene, resistant to the chemical products in pools and reinforced with glass fiber, guaranteeing excellent duration.
- Shaft in stainless steel AISI-316. Noryl impeller. • Transparent lid in polycarbonate. Support base in aluminium. • Mechanical seal in stainless steel AISI-316 (ready to work with sea water). Bolts in AISI-304 stainless steel. • The pumps allows two possible connections: - Female thread of 2 - Connection for PVC pipe Ø63 to glue. • Standard asynchronous motor, sealed from external ventilation. • Protection IP-55 50Hz. • Class F insulation. Motor bearings greased for life and selected to ensure long duration and silent working. • 2900 R.P.M.

POOL CIRCULATION

MAIN DRAIN COVERS – STAINLESS STEEL SAFETY BOTTOM GRATE

For all kind of main drains the following points need to be taken under consideration:

- Water flow velocity 0.5m/sec.
- Maximum suction velocity 1.5m/sec.
- Minimum distance between drains is more than 2 meters.
- Recommended to use a special device to deduct the vacuum and automatically switch off the pump.

STAINLESS STEEL SAFETY BOTTOM GRATE

- Made of AISI 316L stainless steel.
- For concrete pools



INLET & VACUUM- STAINLESS STEEL

- Made of AISI 316 stainless steel .



WALL CONDUITS – ABS WALL CONDUIT

- ABS wall conduit with site for collection nozzle.



SKIMMER – OVERFLOW STRAIGHT

- ABS skimmer with exclusive flared flat mouth for to flow acceleration.
- Injected in one-block.
- Designed and built to increase the water's level up to few centimeters away from the top of the edge.
- Supplied completely with square frame special lid with anti-removal system.
- Fittings D.50 – 63 with shutter flap overflow system D.32x25mf.
- PP Basket, floating weir system thread for pressure test, socket insert, screw in S.S 316 for mod. Liner, in additional elegant flange cover.
- Flow rate: 9.82m³/h D.50 – 15.61m³/h D.63.
- In according with legislation UNI 13451.



OVERFLOW GRATING

- Made of high quality, UV resistant materials.
- Modular grating for curves.
- The individual gratings are joined forming a continuous flexible run.
- 1m = 45 pcs

OVERFLOW GRATING ANGLE



CODE	DESCRIPTION
GR-101	ABS OVERFLOW GRATING H = 22MM AND W = 195MM
GR-102	ABS OVERFLOW GRATING H = 35MM AND W = 195MM
GR-103	ABS OVERFLOW GRATING H = 22MM AND W = 245MM
GR-104	ABS OVERFLOW GRATING H = 35MM AND W = 245MM

DISINFECTION

ADCEL ELECTROLYTIC CELL & SALT CHLORINATOR



- For public and private pools
- Salt control unit available in 4 versions:
 1. Standard model: internal/external time-controlled;
 2. Model pH: same as standard model with additional control and dosing of acid/alkaline pH corrector/ via peristaltic pump;
 3. Model pH-Rx: same as model pH with additional Rx reading for modulation of Cell chlorine generation;
 4. Model pH-Cl: (mounted on a thermoformed panel): same as model pH with additional Cl reading (PPM) for modulation of Cell chlorine generation.

“QUANTUM”

- Combined Photo catalytic & Hydroxyl Radical technology: most powerful, proven oxidizer
 - The only water treatment technology available that breaks down organics such as sun tan oil and urea, converting them back into their harmless molecular form
 - The powerful technology has the ability to instantly destroy all viruses, bacteria and pathogens
 - Destroys harmful chloramine
 - Two power options:
 - 55 Watts for flow rates up to 16m³/hour (65m³ pool volume)
 - 110 Watts for flow rates up to 32m³/hour (130m³ pool volume)
 - Ensures a significant reduction in chemical consumption
 - Reaction is contained within the chamber releasing only pure, fresh water
 - Comes pre-assembled with all necessary sensors and control components
 - Ultimate sterilization without compromise to health: eliminates sore eyes, itchy skin, discolored hair, strong odors whilst creating no risk to the health of pool users
 - Sea water compatible
 - 14,000-hour lamp life
- All Quantum units are supplied complete with flow switch, lamp life indicator (long-life 14,000 hour lamps) and reset switch



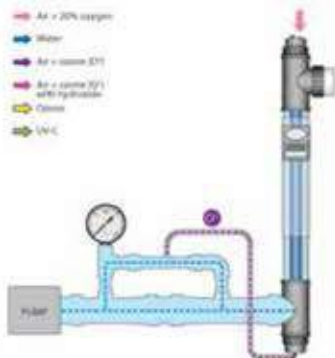
SPA UV-C



UV-C COPPER IONIZER



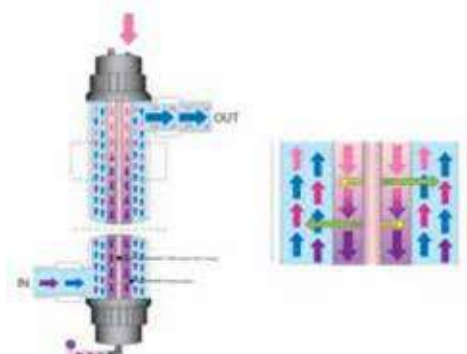
UV-C SALTWATER



OZONE UV-C



OZONE UV-C



OZONE UV-C

MAGIC STREAM LAMINAR

MAGICFALLS WATER FALLS



INTELLIBRITE



DECK JET WATER



AVAILABLE LIGHT SHOWS



INTELLIBRITE 5G COLOR / WHITE LED



COLOR VISION LED BUBBLERS

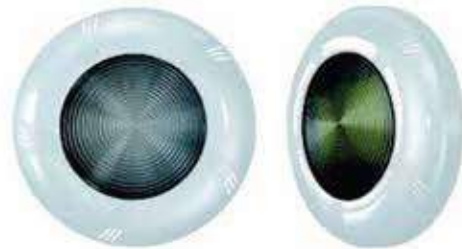
COLOR VISION LED BUBBLERS



INTELLIBRITE 5G COLOR



INTELLIBRITE E POOL



SPABRITE



AQUA LIGHT



POOL EQUIPMENTS



CURVED SLIDE



CURVED SLIDE



STRAIGHT SLIDE



SAFETY POOL HOOK



LIFE BOUY



GOGGLES



ANGEL SHOWER WITH
FOOT WASH TAP



SOLAR HEATED
SHOWERS



SOLAR HEATED SHOWERS
MODEL "HAPPY"

POOL EQUIPMENTS

LADDERS – STANDARD LADDER



LADDERS – INCLINED LADDER



LADDERS – TWO PIECE LADDER



LADDERS – OVERFLOW LADDER



LADDERS – MURO LADDER



LADDERS – EASY ACCESS LADDER



POOL CLEANING PRODUCTS

BRUSHES

- New deluxe vacuum brush made of plastic - clip.
- To be connected to Ø38 mm vacuum hose.
- Curved wall brush made of plastic 45cm - clip.
- Straight wall brush made of plastic 26cm - clip.
- Stainless steel curved algae brush reinforced 45cm - clip.
- Stainless steel straight wall brush 25 cm- clip.



POOL CLEANING PRODUCTS

LEAF SKIMMERS

- Standard surface leaf skimmer – clip.
- Heavy duty surface leaf skimmer – clip.
- Standard deep leaf rake – clip.
- Heavy duty deep leaf rake – clip.



POOL CLEANERS – FLEXIBLE POOL CLEANER

- Made of flexible plastic to adapt to the different shapes and angles of swimming pools.
- Supplied with 8 wheels.
- For Ø 38 hose.
- Fixing: Clip.



SPA WAND

- Targeted cleaning of small volumes : spa, steps...
- Efficient and easy to use handheld brush and no connection required
- Debris are collected in a separate stainless steel filter



THERMOMETERS – DIGITAL THERMOMETER

- Solar floating digital thermometer with °C and °F scale.



SELF FLOATING HOSE

- Made of EVA, UV-resistant.
- Eases manual and automatic pool cleaners handling because of its flexibility.
- Its design enables the hose to keep floating even when full of water and allows the pool cleaner to work freely on the pool floor.
- End fittings included.



HEATING & COOLING UNITS

INDOOR POOL DEHUMIDIFIER

- Clear Windows, Dry Walls: No more foggy windows or condensation on walls in the pool room with AQUA dehumidifier preserve the construction integrity and gives a pleasant feeling to the room occupants.
- Simple Installation: Can be free standing or remote. It is also duct ready, the control can be easily made in a 220 volts wiring.
- Quality Construction & Reliability: AQUA dehumidifier comes in white coated antihumidity paint or in stainless steel body, Digital LCD controller & gas pressure gauge. The unit is covered under a 5 year warranty.
- Low Electrical Cost: AQUA dehumidifier utilizes a refrigeration system that requires a smaller electrical load.
- Humidity Control: Stabilize room conditions through dehumidification, this reduces the maintenance cost of the room and gives a very pleasant environment to the pool room.
- Indoor Pool Room Heating: Recovering energy from the dehumidification process will often heat an entire pool room for the cost of operating the dehumidifier alone.
- Indoor Pool Room Cooling: An optional remote condenser will allow the DCA system to cool the pool room during the warm months.
- Easy to Maintain: The AQUA dehumidifier system is a closed loop system with nothing to oil or lubricate. Simple return air filter maintenance is all that is needed.



EVOLUTION ELECTRIC POOL HEATER

- Fully equipped and pre-wired including a super sensitive and reversible flow switch, allowing water input from either direction.
- Complete with a control thermostat, safety thermal cut out and integral contractor relay. • Very easy to install, requiring only final connection to a mandatory separate RCD. • Fitted with 1/2" BSP female threaded adapters for easy connection to all pipework.
- Supplied with hose tail adapters for connection to flexible pipework, and 1/2" or 50 mm unions for connection to rigid pipework.
- Control thermostat 0°C – 40°C with 1.5°C differential safety thermostat 55°C.
- Flow tubes: BS 316L stainless steel (EVOLUTION) or pure titanium (EVOLUTION plus) • Flow requirements: – Minimum Flow: 3-kW to 6-kW = 1,000 litres per hour 9-kW to 24-kW = 4,000 litres per hour – Maximum Flow: 17,000 liters per hour



HEAT PUMP



AQUA COMBO FILTRATION SYSTEM

- Designed for ultimate safety and market leading reliability.
- Two contractors per element bank and cascade wired for ultimate safety.
- All element banks have timers for staged energizing: only a maximum of 24 kW will be energized at any one time.
- Perfect for use on larger pools. Available in outputs from 24-72 kW.
- Multiple heaters can be installed in parallel to achieve greater outputs.
- Supplied fully equipped and pre-wired to ensure easy installation.
- Heating elements: Incoloy 825 or pure titanium on request.
- Flow tubes: BS 316L stainless steel (B-100) or pure titanium (B-100 plus)
- Flow Switch: to protect equipment when flow stops.
- Multi point temperature detection: For accurate and safe control of the heating process. • Anti cycle delay protection; Prevents the heater from 'cycle' switching to ensure component life is maximized.
- Indication lamps: Provide clear and easily understandable display of the heaters' status. • Mounting brackets: Ensure the heater can be easily wall or base mounted • Unique case design: Gives easy technician access for connection, inspection and component replacement.



G2 HEAT EXCHANGER

- The G2 Heat Exchanger is manufactured from G2-HE-30T top quality components and materials.
- Robust, durable construction.
- Titanium tube bundle – salt and sea water safe
- BS 316L Stainless Steel shell with special polyamide fittings
- Wall mountable (bracket supplied)
- Available with fully equipped Analogue or Digital control (optional).
- The heat exchanger construction gives a vast heat transfer surface area, consisting of a densely populated multi-tubular bundle, secured by the uniquely designed polyamide rubber tube sheet.
- The standard G2 heat exchanger is supplied complete with:
 - 2 x 1" male/male Brass Primary connections. – 1 x 1" Non-Return Valve.
 - Titanium thermostat pocket.
 - 1 x Blanking Cap and Gasket (for non-thermostat side).
- The G2 Heat Exchanger has been designed to allow the installation engineer to select which way to plumb the primary and secondary water to achieve maximum thermal gain; this is achieved by routing the primary flow in an opposing direction to the secondary (POOL) water.
- Tube bundle: Pure titanium.
- Water connections: – Primary 1 BSP male (brass fittings supplied).
- Secondary (POOL): 1.5" or 50 mm NB adapters for connection to PVC or ABS pipe.
- Working pressure: 4 bar maximum.



CHEMICAL PRODUCTS

ALGAECIDES – ALGAECIDE JET 30

- Non-foaming.
- Clarifying effect.
- Preventive and curative effect.



Instructions:

Preventive treatment before filling the pool: The pool being empty and clean spread the diluted Jet 30 (1/10) on the pool walls, concentrate on the wall parts (skimmers, edges, drains, inlets, tile joints etc..) leave to take effect for one hour.

Treatment of water: 1/2lt for 30m³ of water every 15 days.

CHLORINE AND PH TEST KIT



- Supplied in a case.
- Liquid reagents for easy control of swimming pool chlorine and pH.

PH PLUS – PH PLUS POWDER

- Does not generate chloride ions.
- Fast dissolution powder.
- Compatible with all filtration systems.

Instructions:

200g/10m³ in absence of bathers.

allow 2 hours for pH values to change 0.2 unities.



CHLORINE – FORCE 5

- 5 Action tablets (250 g) work as disinfectant, algaecide, Flocculant, pH stabilizer & clarifier.



Instructions:

1 Tablet for 20 m³ of water in the skimmer or chlorine dispenser every 5 to 8 days, pH should always be maintained at 7.0 to 7.4.

PH MINUS – PH MINUS POWDER

- Fast Dissolution powder
- Does not generate chloride ions.
- Compatible with all filtration systems.

Instructions:

150g/10m³ in absence of bathers

allow 2 hours for pH values to change 0.2 unities.



PHOTOMETER MD-100 MODEL 5IN1



- FREE/TOTAL CHLORINE-PH-CYANURIC ACID-ALCALINITY-HARDNESS
- New MD100 photometer for public pools. Quick, precise and designed in pocket size format.
- Water resistant (analogue IP 68, 1 hour at 0.1 m)
- Scroll Memory calibration display, illuminated screen, automatic shut-off, memory function, date & time, suitable for tests and measurements..

- It is not necessary to repeat the zero calibration before every analysis.
- The zero value is memorized (One Time Zero – OTZ).
- If required, it is possible to make a new zero calibration at any time.
- For public pools.

COMPETITION EQUIPMENTS



OVERFLOW BLOCK STAND

- Provides a stable platform for the installation of blocks in an overflow pool.
- Produced from hand-laid FRP and SS316 fittings.
- Can be used with optional GRP Turnboard.
- Elegant design allows cleaning of pool deck without removal of Overflow Block Stand.
- 4 piece Dynasets/Anchors are included.



OVERFLOW BLOCK STAND

- Discs are made from UV stabilized co-polymer polypropylene.
- Floats are made from high density polyethylene.
- Available in two diameters:
 - MIDI Ø110 mm is the favorite lane for most pools; suitable for competition and general pool division.
 - MAXI Ø150 mm is the lane for national and international competitions.
- Standard colors: red 5 m ends with white and blue alternating.
- 25 m lanes have marks at the 15 m positions, 50 m lanes have marks at the 15 m and mid point positions.
- Colors available: Red – Blue – Yellow – Green – White – Black.
- Racing lanes come complete with super tension s. steel hooks but without anchors.



STAINLESS STEEL ANCHORS

- LANE ANCHOR Skimmer: Made of Stainless steel 316, provides secure flush anchoring for lane ropes, goal lines and water polo fields. Lane anchor cover and extension are also available.
- LANE ANCHOR Overflow: Made of Stainless steel 316, allows for the installation of lane ropes and other accessories in a wet deck overflow pool configuration.
- DECK HOLE ANCHOR: Made of Stainless steel, provides a flush-fitting secure anchor for removable sports equipment, poles and railings around the pool.



LANE ACCESSORIES

- Cable: Safe durable cable in stainless steel 316 for extra strength, overall Ø 3.1mm and stands a force of 5 kn.
- Hook.
- Super Tensioner: Made from engineering plastics with short clamp set.
- Long Clamp with Hook.

UNDERWATER LIGHTS



UNDERWATER LIGHTS FOR CONCRETE POOLS



"AQUALUXE" LED LIGHT



UNDERWATER LIGHTS FOR CONCRETE POOLS



ABS LED FLAT LIGHT



STAINLESS STEEL ROUND HALOGEN LIGHTS



SPOT LIGHT LED



STAINLESS STEEL LIGHT COMPLETE WITH NICHE



STAINLESS STEEL ROUND HALOGEN LIGHTS



STAINLESS STEEL ROUND LED LIGHTS RGB COLOR CHANGE



STAINLESS STEEL SQUARE HALOGEN LIGHTS



SPOT LIGHT LED



STAINLESS STEEL ROUND LED LIGHTS – RGB COLOR CHANGE DMX



CASCADE TRANSFORMER



CONNECTION BOXES



STAINLESS STEEL CONNECTION BOX



FLEXIBLE CONNECTION CABLE

CHEMICAL DOSING SYSTEM

DOSING PUMP



SOLENOID DRIVEN DOSING PUMP HC200 RX



EXACTUS ANALOGICAL MANUAL MODEL



PRE-ASSEMBLED PANEL – A-POOL SYSTEM PH-RX



Complete Panel with proportional control of pH and Redox for swimming pool up to 500 m³ comprises:

- 1 AQUAPOL pump pH-Rx PVDF-PTFE-VT.
- Modular probe holder with pre-filter, water check valve and flow sensor.
- PH and Redox electrodes and buffer solutions.
- 2 low level switches.

Standards:

- No. 2004/108/CE EMC directive
- No. 2006/95/CE "DBT low voltage directive"
- No. 2011/65/UE , 2002/96/CE "RoHS and WEEE directives"

SPARE PARTS AND ACCESSORIES – MANUAL AND MOTOR MIXERS



AG-MAN

- Manual mixer with PVC shaft.

A-SUPP

- PVC support to install dosing pumps and mixers.

ADBAS

- Foot fixing bracket.

AG-F

- Fast water mixers.
- Fast speed three-phase AG3-PVC/AG3-AISI 1400 rpm – Motor 230/380 V – 50 Htz – 0.12HP;
- Fast speed three-phase AG3-PVC/AG3-AISI 1400 rpm – Motor 230/380 V – 50 Htz – 0.12HP.

AG-S

- Slow water mixers.
- Slow single-phase AG1-PVC / AG1-AISI 70 rpm – Motor 230V 50Hz 0.12HP
- Slow speed three-phase – AG3-PVC/AG3-AISI – 70 rpm – Motor 230/380v -50 Htz – 0.12HP.

SPARE PARTS AND ACCESSORIES TANKS, SAFETY TANKS



Flow can be controlled manually by setting the pump pulse rate by means of a potentiometer. Possibility of a more precise flow rate setting at low frequencies through the two keys 20% and 100%. - The products are manufactured according CE regulation. - IP 65 protection.

- Antiacid plastic casing. - Control panel protection assured by an adhesive polyester film, weatherproof and resisting UV rays

- Standard power supply: 230 V a.c.50 Hz single phase. Optional power supply: 240 V a.c.50-60 Hz single phase:

110 V a.c. 50-60 Hz single phaseFlow can be controlled manually by setting the pump pulse rate by means of a potentiometer. Possibility of a more precise flow rate setting at low frequencies through the two keys 20% and 100%. The products are manufactured according CE regulation.

- IP 65 protection.- Antiacid plastic casing.

- Control panel protection assured by an adhesive polyester film, weatherproof and resisting UV rays

- Standard power supply: 230 V a.c.50 Hz single phase.

- Optional power supply: 240 V a.c.50-60 Hz single phase; 110 V a.c. 50-60 Hz single phase

AUTOMATIC POOL CLEANERS

BATTISTA DELUXE



XTREME II



TURBO T-JET



G-GET



ZODIAC AUTOMATIC POOL CLEANER



PENTAIR AUTOMATIC POOL CLEANER

ACCESSORIES

VALVES



UNDERWATER JUNCTION BOX



WATER FALL



GLASS & CERAMIC TILES



PEARLPOOLTRADING L.L.C.

Fountain & Swimming Pool People



بيير بول للتجارة ش.ذ.م.م.

سبيل للشرب و بركة سباحة أسرة

China Cluster, F-12, Shop No. 12
International City
P.O. BOX : 294767, Dubai. U.A.E.
Phone : +971 4 4272492
Fax : +971 4 4272493
Email : info@pearlpool.ae
Website : www.pearlpoolfountain.ae

We are available at:
ABA 24 & 25 - DRAGON MART 1, DUBAI
GC 124 - DRAGON MART 2, DUBAI
AL ZAROONI BUILDING - DEIRA, DUBAI
MUSCAT - OMAN
GUJARAT - INDIA