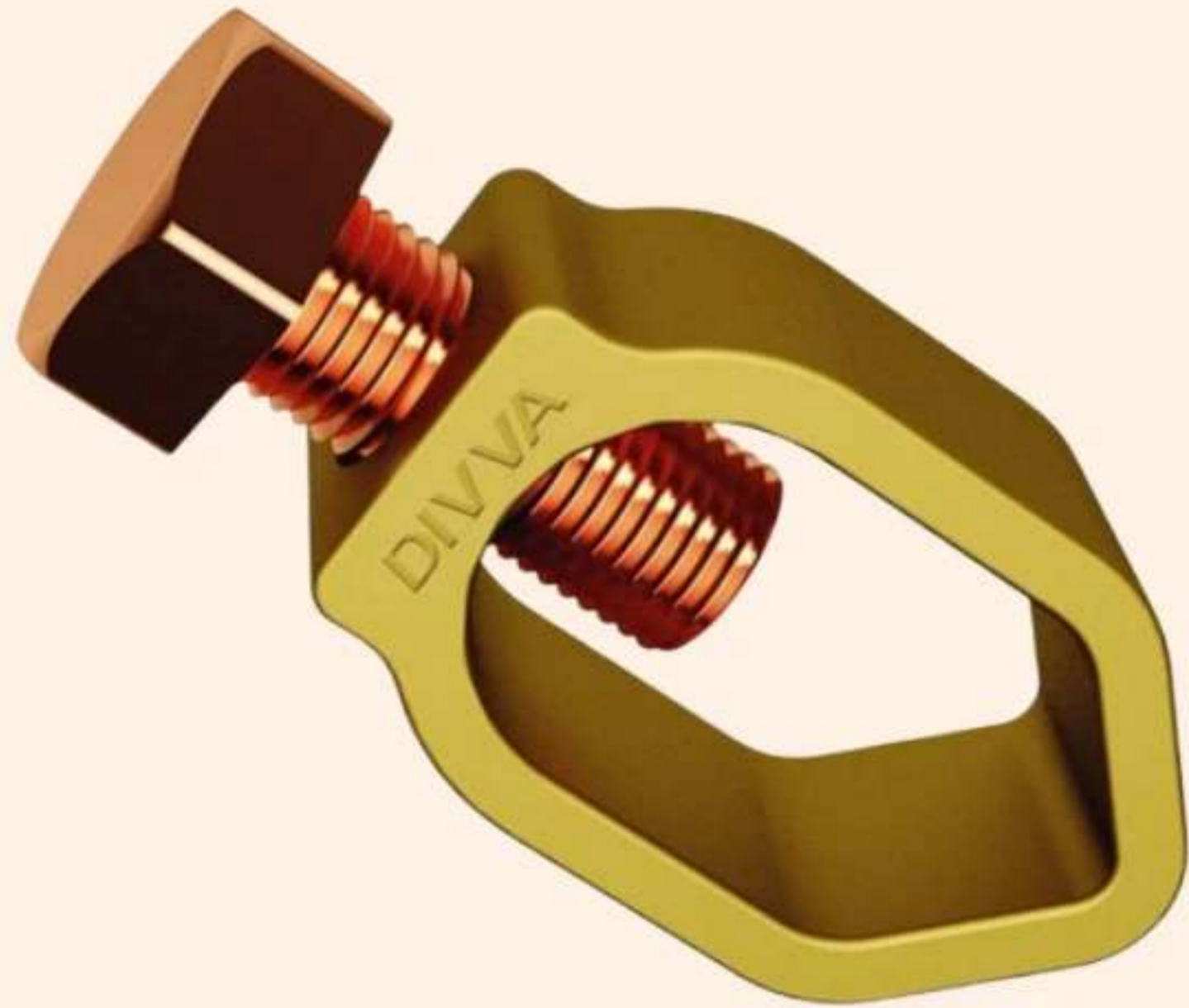




LIGHTNING PROTECTION

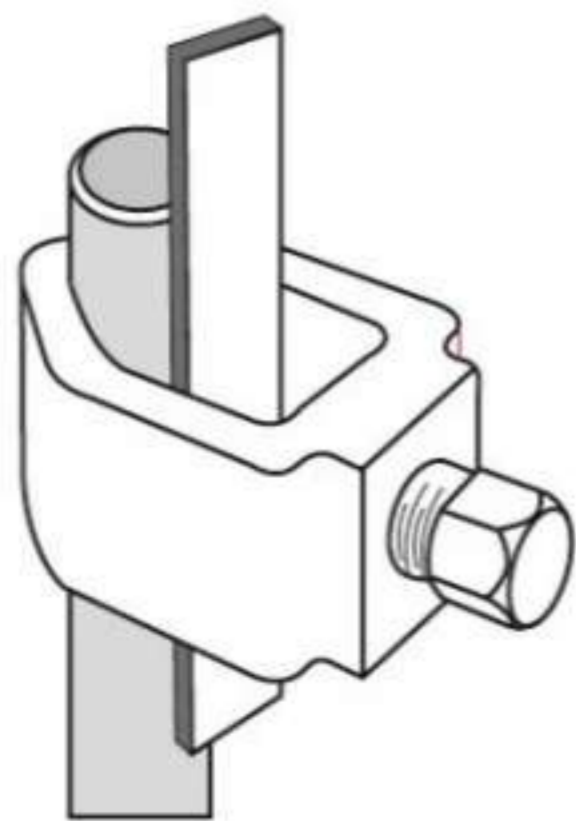


A-CLAMP



GUNMETAL PLATE
WITH M10 THREAD

Robust A-Clamp made of brass with a mild steel bolt, suitable for bonding earth rods to copper tape. Delivers reliable performance in grounding systems.



COPPER BONDED EARTHING ROD

16 MM | 20 MM

BRIGHT BAR



UAE's
NO. 1 CHOICE



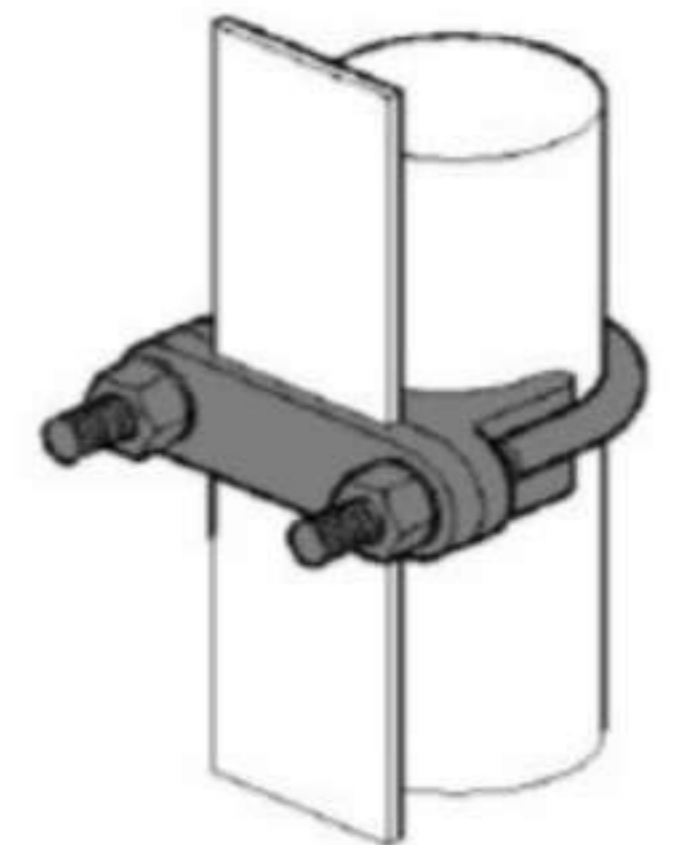
U-CLAMP

SINGLE PLATED
DOUBLE PLATED



GUNMETAL PLATE
WITH M10 THREAD

Sturdy U-Bolt clamp with brass construction. Ideal for connecting rods to copper tape or cable in earthing systems.



HEX COUPLER

3/4" X 70 MM



BRASS HEX COUPLING SLEEVE

Robust hexagonal brass coupler designed for securely joining threaded earth rods, ensuring strong mechanical connection and excellent conductivity in earthing systems.



OTHER ACCESSORIES

ROD
DRIVING
HEAD



ROD
DRIVING
SPIKE



CONNECTING
THREAD



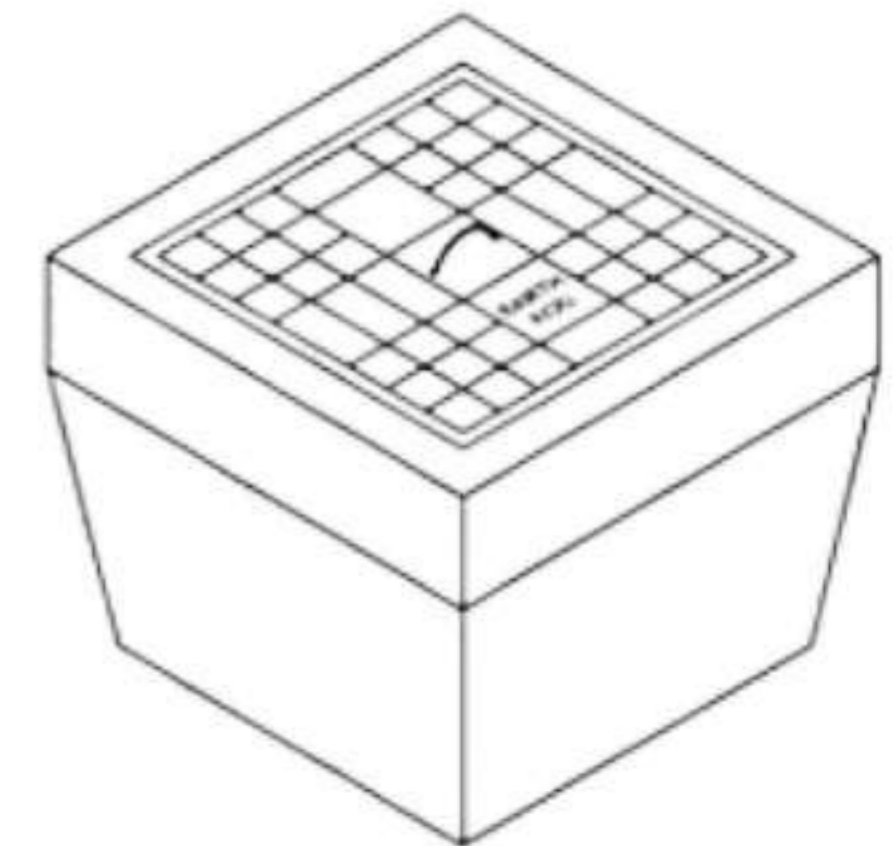
EARTH PIT

30" X 30"



REINFORCED CONCRETE PIT CHAMBER

Durable earth pit chamber used to safely access and inspect earthing systems, made from high-strength material for long-term underground installation.

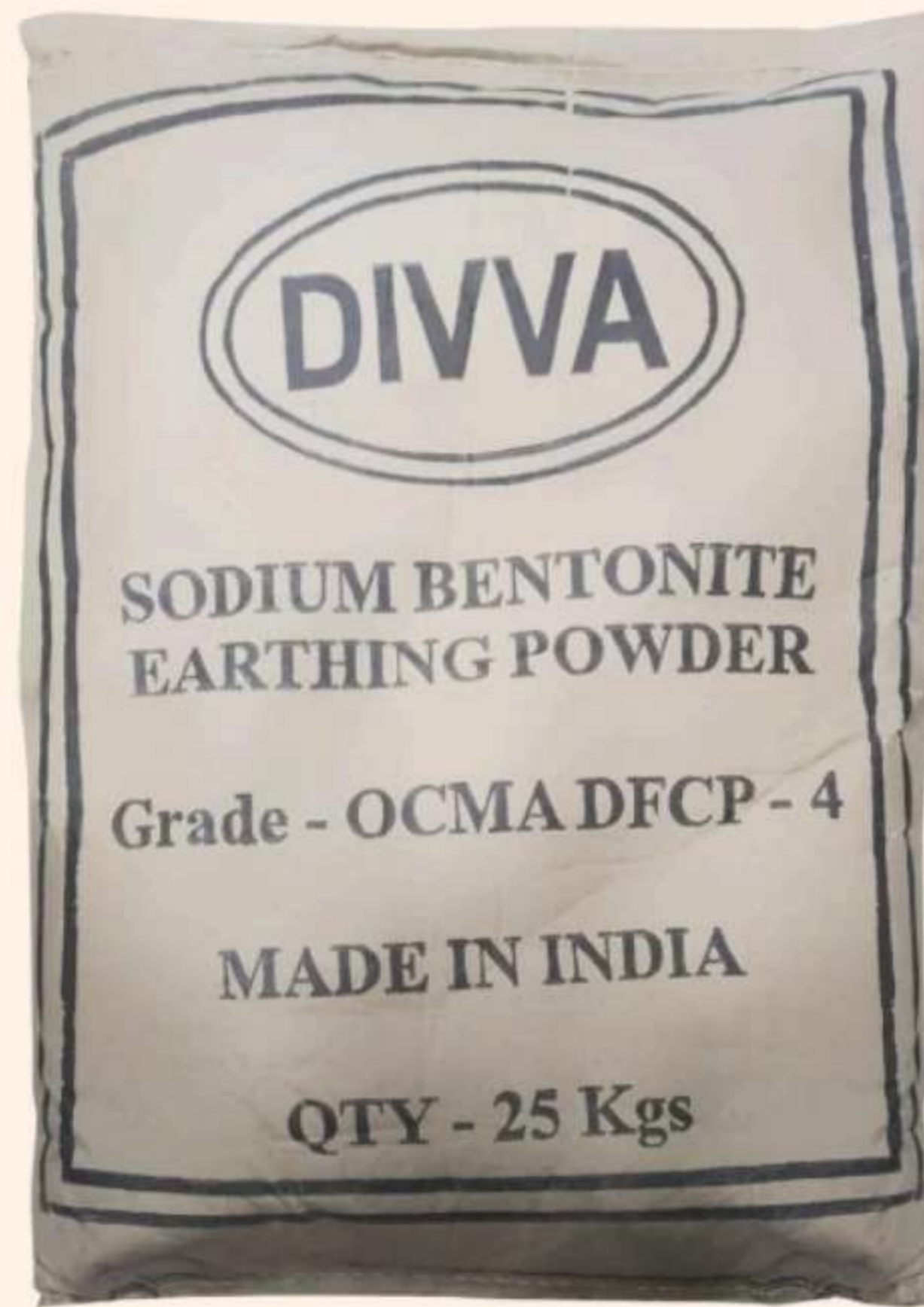




INDUSTRIAL SALT

25 KG | 35 KG

High-purity industrial salt available in 25 KG and 35 KG packs, ideal for grounding enhancement and various industrial applications.



EARTHING BENTONITE

25 KG

OCMA GRADE DFCP-4

Sodium Bentonite for drilling, earthing, and trenchless works, with excellent filtration and conductivity properties.



CHARCOAL POWDER

10 KG

Industrial charcoal used for soil conductivity enhancement in earthing systems and other industrial processes.

SUPERIOR ADHESIVES & LUBRICANTS



BISON KIT
ADHESIVE



TOUCH 605
PVC GLUE



BEST WELD
PVC GLUE



WD-40



FEVICOL 777
CONTACT
ADHESIVE



DIVVA TIGER TILE GLUE

High Performance Adhesive for
non-absorbent porcelain Tiles

BS 5980 Type 1 Class AA
ANSI A.118.1 - 1976 ASTM C387

- Thin or thick bed fixing.
- Excellent adhesion to many substrates.
- Tile on tile applications.
- Waterproof - Permanent immersion does not affect adhesion.



CONTACT US



High-Performance Water Pumps & Motors



CONTACT US

Durable, Reliable Professional



SUBMERSIBLE PUMPS

QDJ-02

4-SDm

SURFACE PUMPS

CP-158

QB-60

PRESSURE CONTROLLERS

DP-01

DP-07

4-SDm

SUBMERSIBLE PUMP



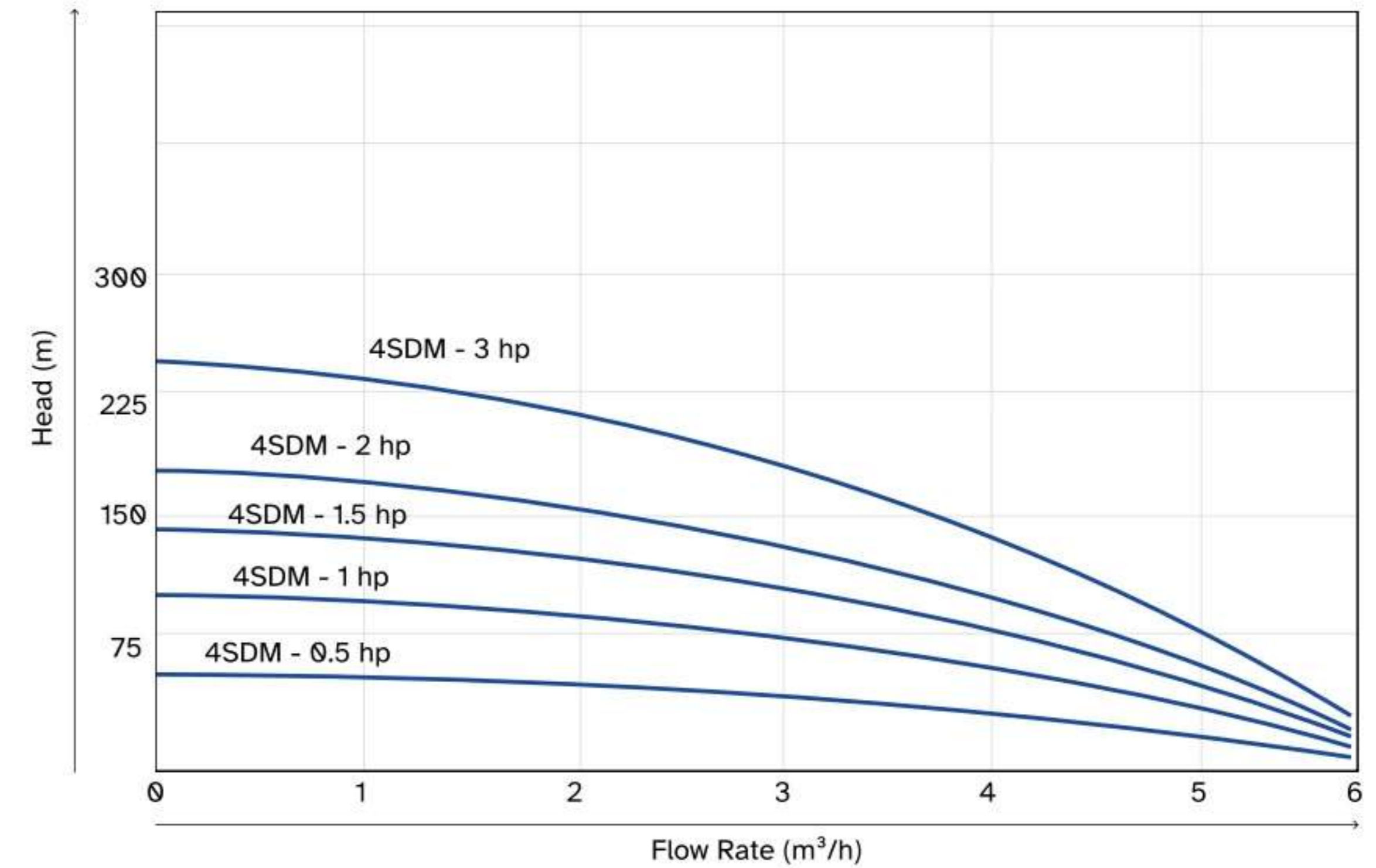
POWER

MAX HEAD

0.5 hp	53 m
1 hp	93 m
1.5 hp	129 m
2 hp	158 m
3 hp	215 m



◆ PERFORMANCE GRAPH

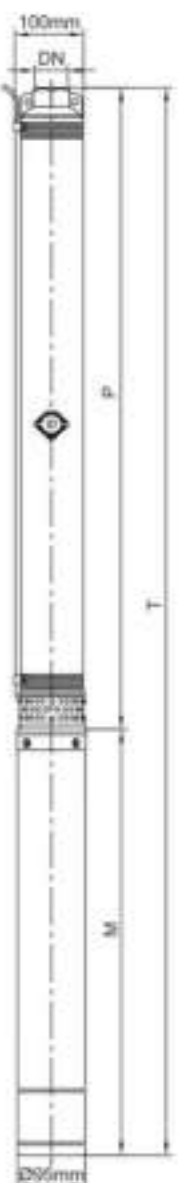


◆ FEATURES

IN Ø: OUT Ø: CABLE LEN:
4" 1.25" 30 m

NEMA dimension standard. Edible oil immersed motor. 150 996 Standard Curve Tolerance. 304 stainless steel Rotor shaft. Corrosion resistant spline.

CE EUROPEAN SAFETY STANDARD

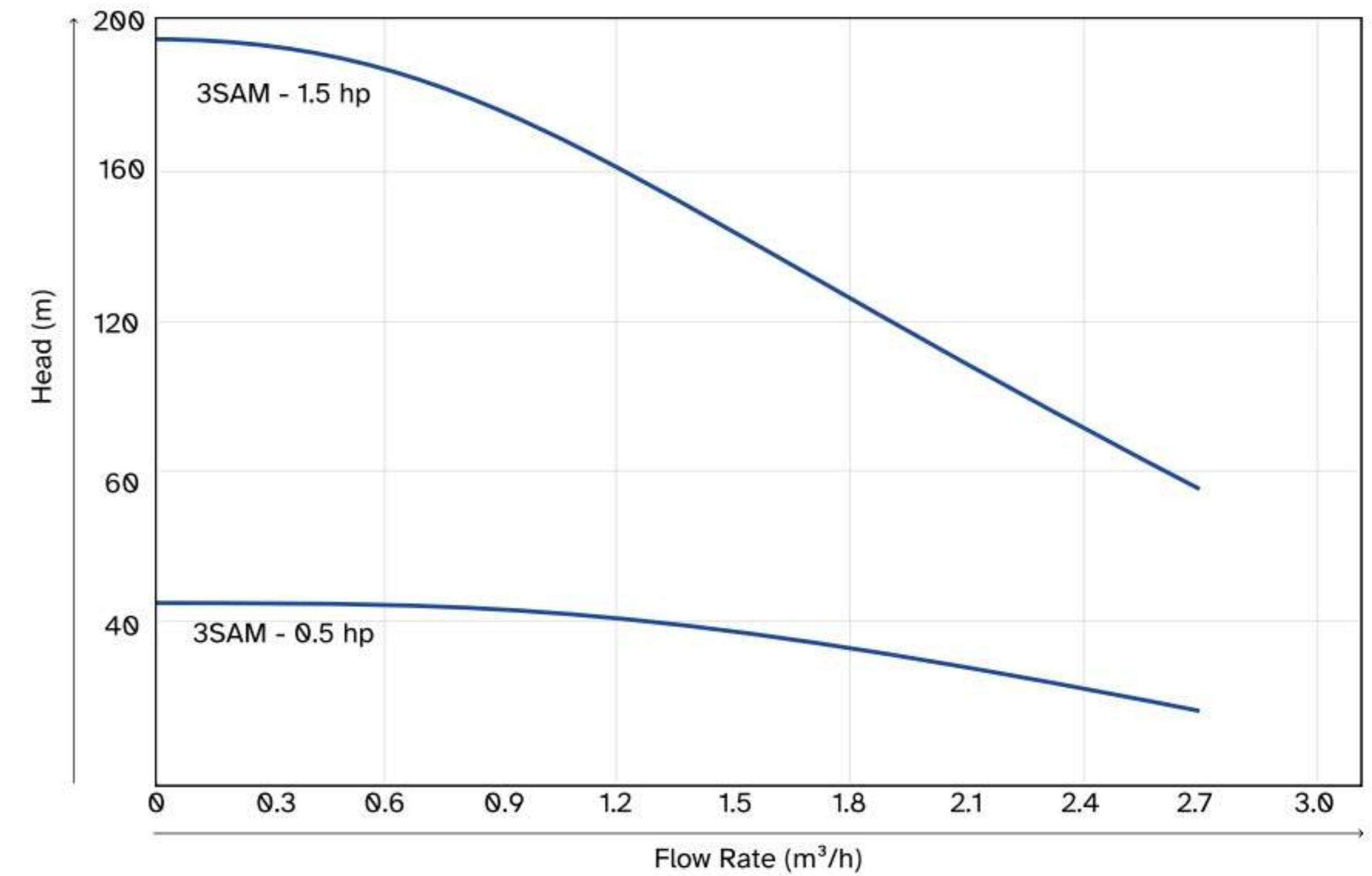


3-SAm

SUBMERSIBLE PUMP



◆ PERFORMANCE GRAPH

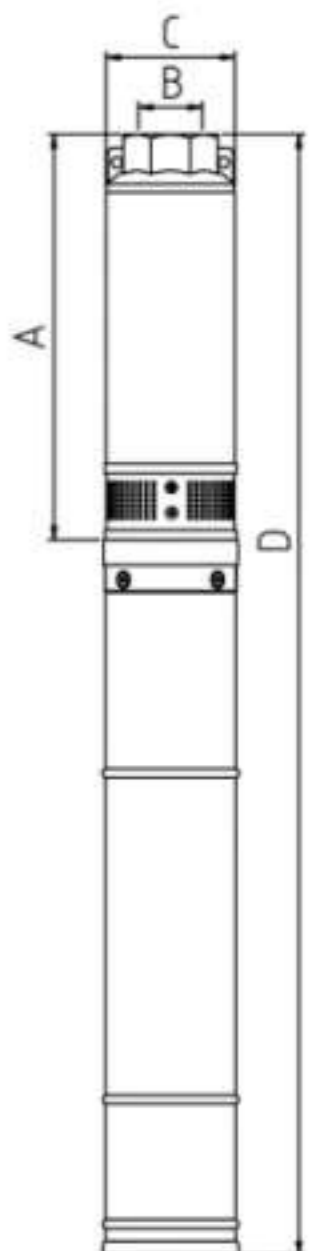


◆ FEATURES

IN Ø: OUT Ø: CABLE LEN:
3" **1"** **30 m**

Cold rolled 800 silicon steel sheet, oil immersed motor. High precision rotor technology. 304 stainless steel Rotor shaft. Corrosion resistant spline.

CE EUROPEAN SAFETY STANDARD



POWER

MAX HEAD

0.5 hp	41 m
1.5 hp	140 m

2.5-SDm

SUBMERSIBLE PUMP

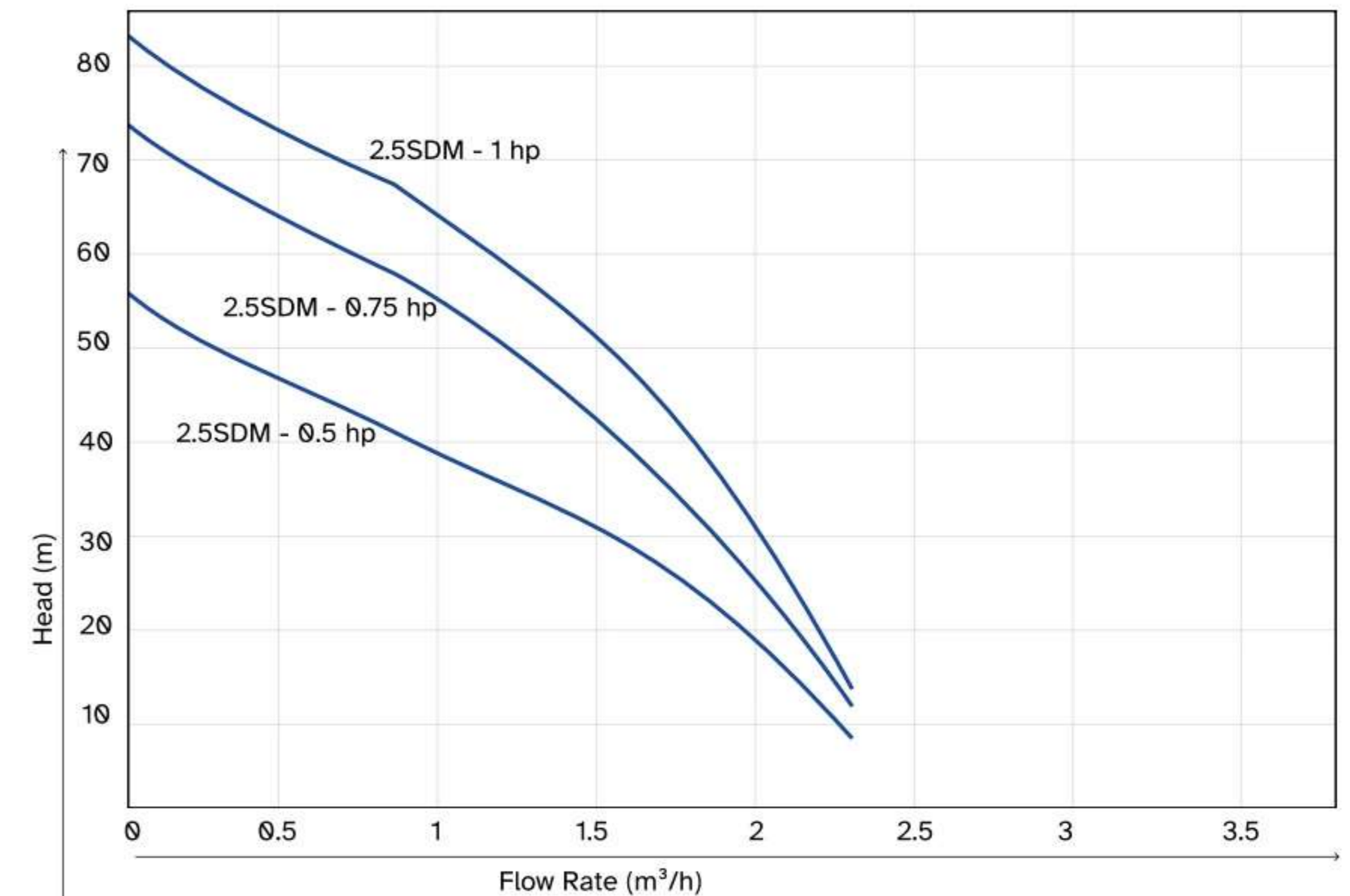


POWER

MAX HEAD

0.5 hp	55 m
0.75 hp	70 m
1 hp	87 m

PERFORMANCE GRAPH

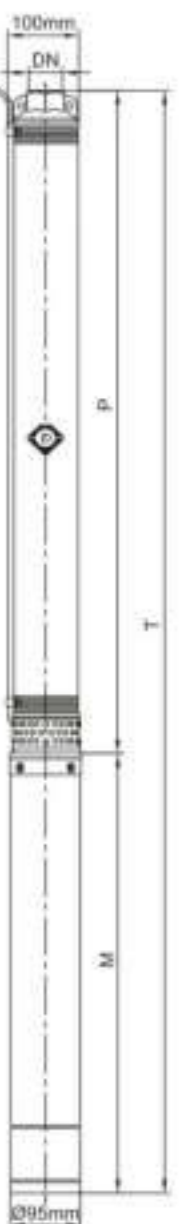


FEATURES

IN Ø: OUT Ø: CABLE LEN:
4" 1.25" 15 m

NEMA dimension standard. Edible oil immersed motor. 150 996 Standard Curve Tolerance. 304 stainless steel Rotor shaft. Corrosion resistant spline.

CE EUROPEAN SAFETY STANDARD

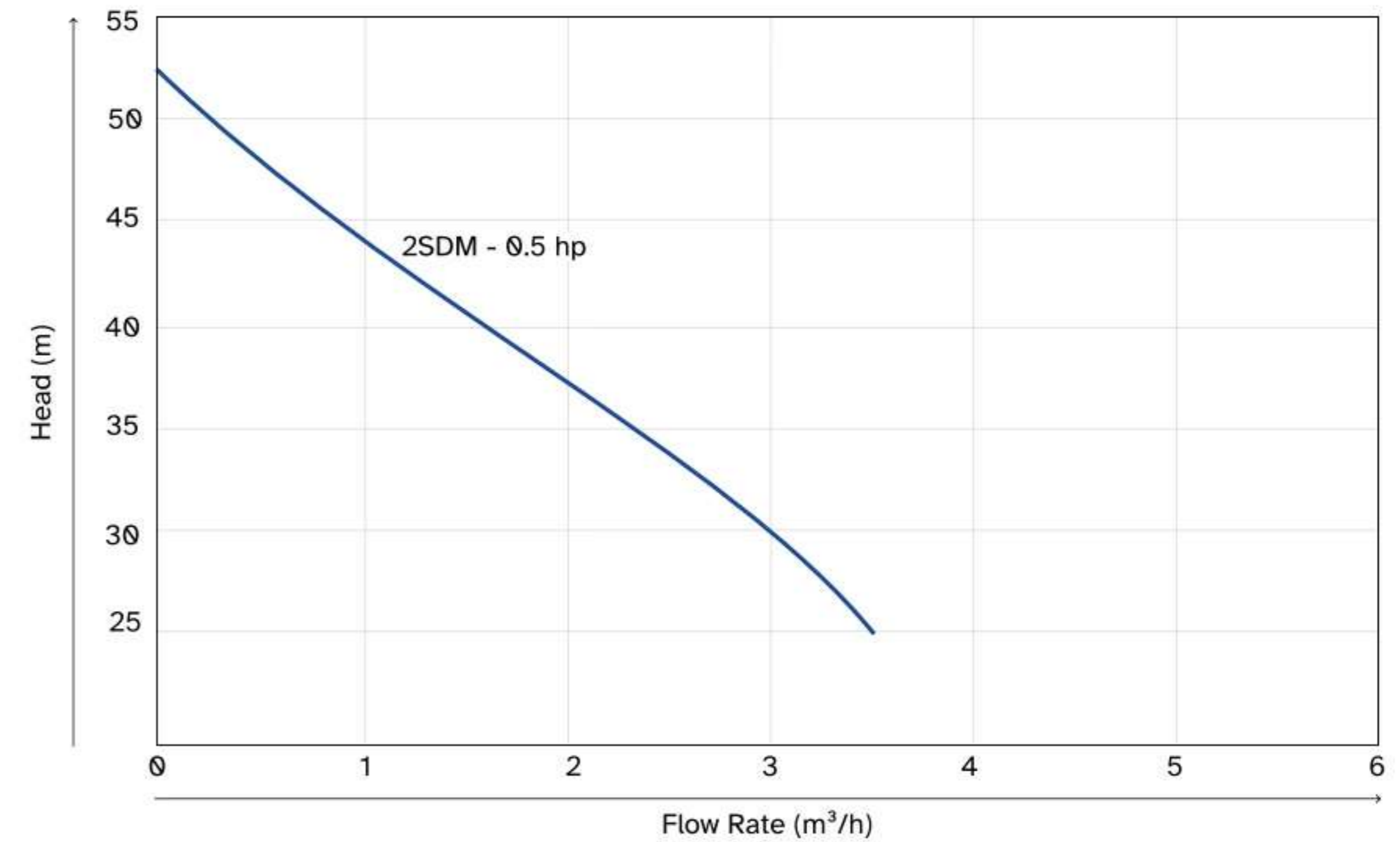


2-SDm

SUBMERSIBLE PUMP



◆ PERFORMANCE GRAPH



◆ FEATURES

IN Ø: OUT Ø: CABLE LEN:
2" **1"** **20 m**

NEMA dimension standard. Edible oil immersed motor. ISO 996 Standard Curve Tolerance. 304 stainless steel Rotor shaft. Corrosion resistant spline.

CE EUROPEAN SAFETY STANDARD



POWER

0.5

MAX HEAD

84 m

QJD-02



SUBMERSIBLE PUMP

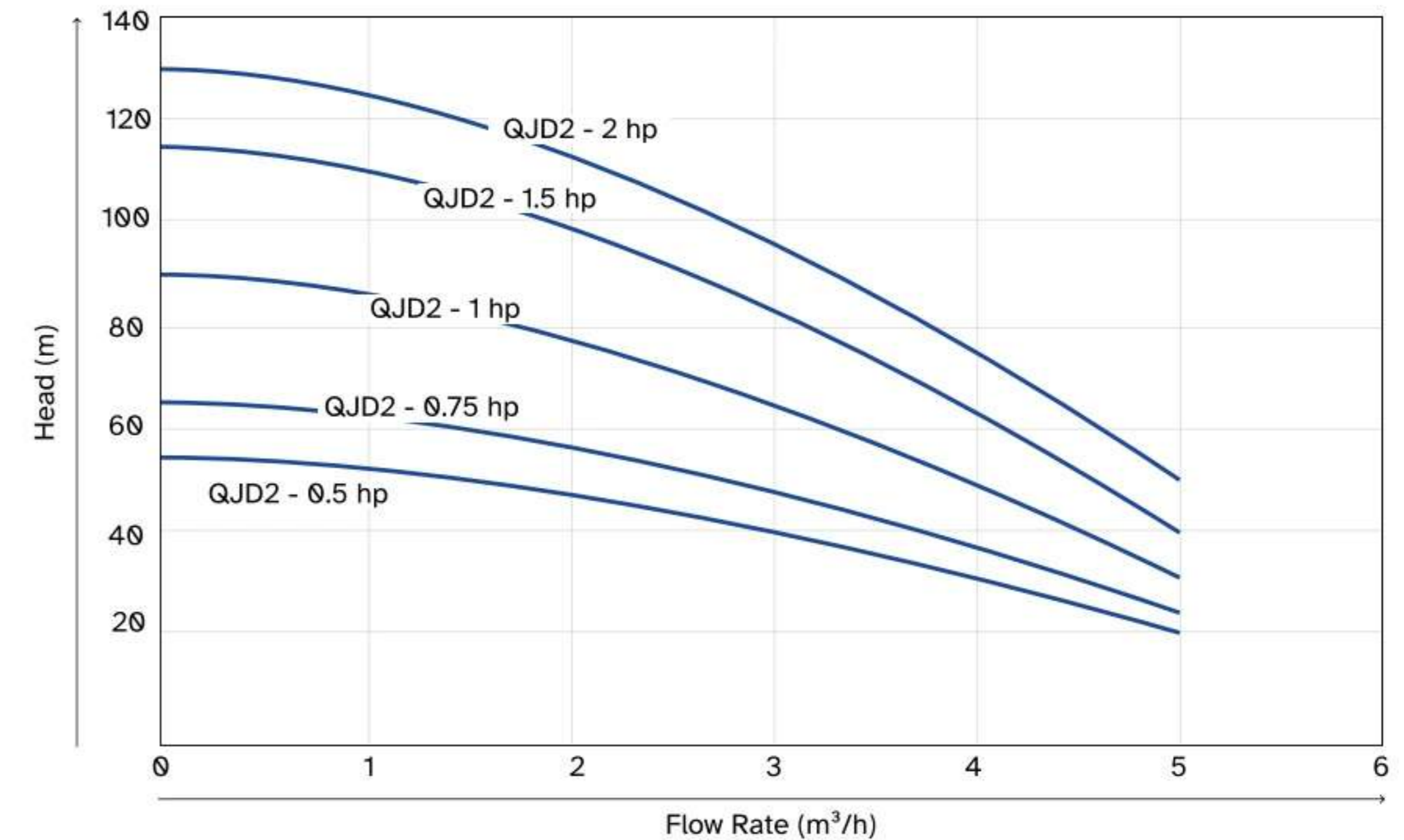
POWER

MAX HEAD

0.5 hp	50 m
0.75 hp	60 m
1 hp	70 m
1.5 hp	63 m
2 hp	84 m



◆ PERFORMANCE GRAPH

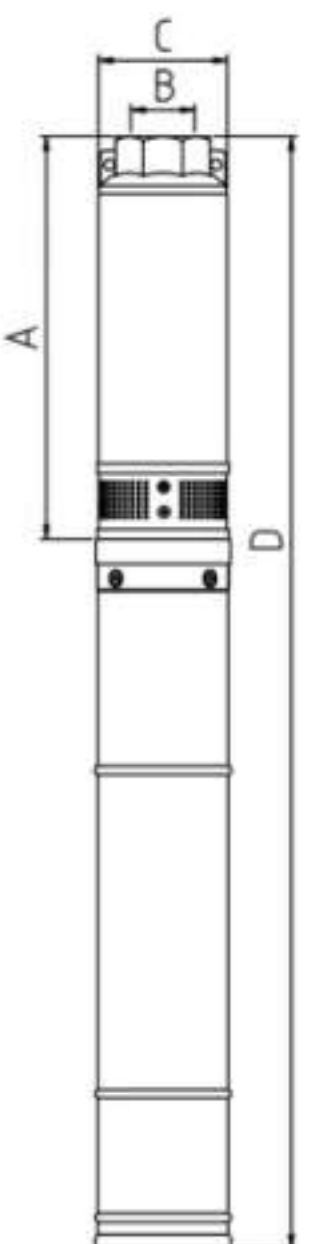


◆ FEATURES

IN Ø: OUT Ø: CABLE LEN:
4" 1.5" 20 m

Cold rolled 800 silicon steel sheet, oil immersed motor. High precision rotor technology. 304 stainless steel Rotor shaft. Corrosion resistant spline.

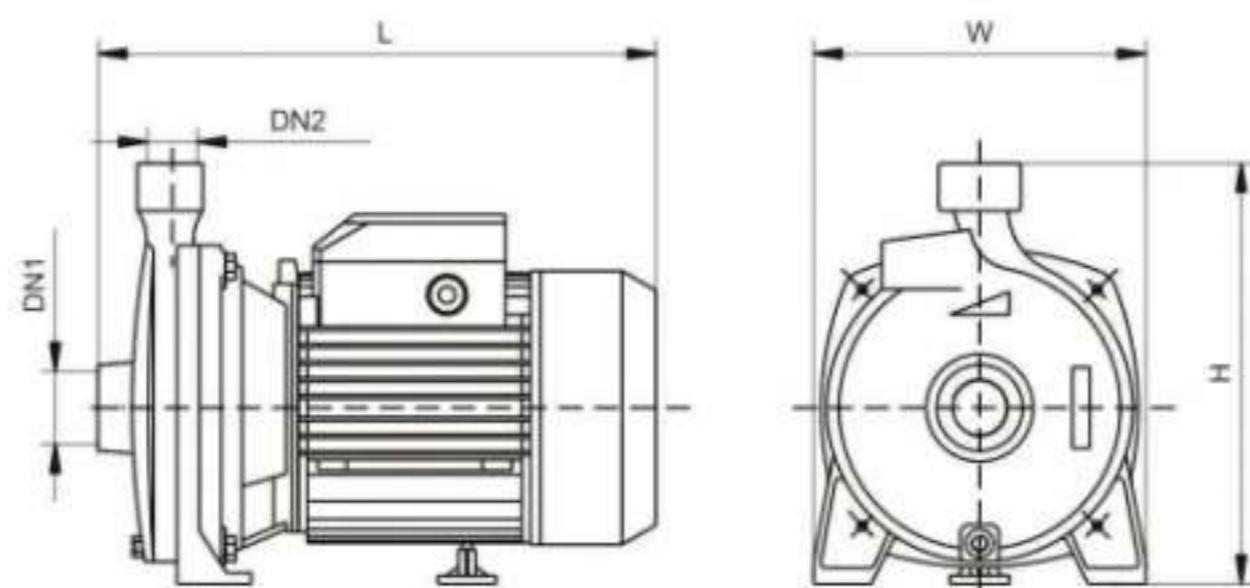
CE EUROPEAN SAFETY STANDARD



CPm-158

CENTRIFUGAL PUMP

100% **Copper**
COIL



MODELS

POWER (DIA)

CPm-158

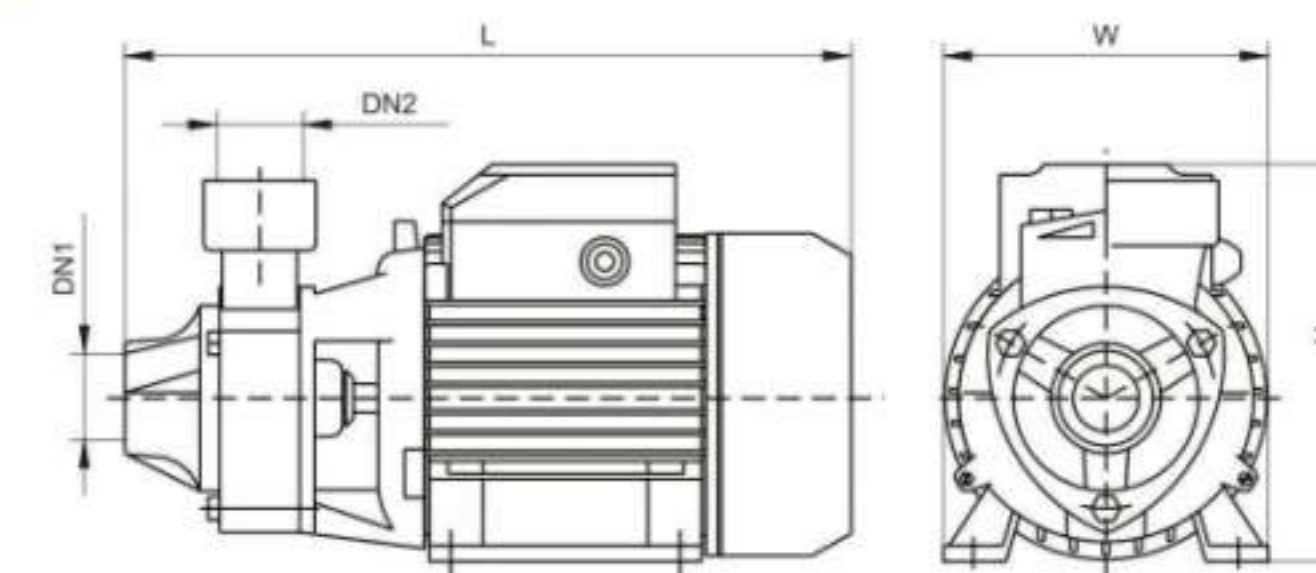
1 hp (1" X 1")

QB-60

PERIPHERAL PUMP



100% **Copper**
COIL



MODELS

POWER (DIA)

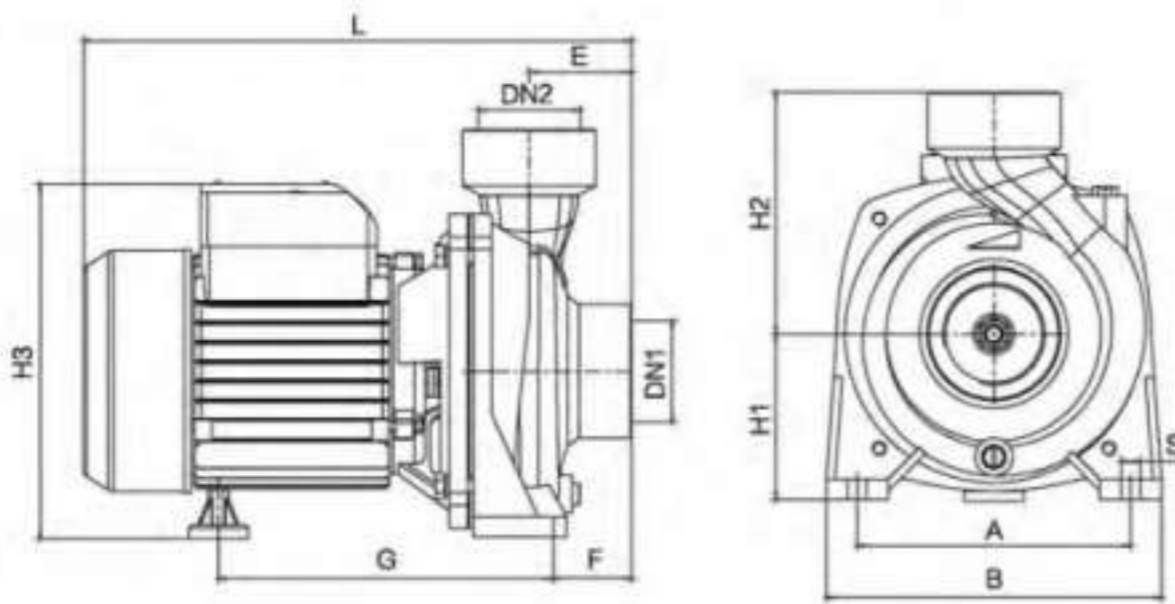
QB-60

0.5 hp (1" X 1")

SHFm

CENTRIFUGAL PUMP

100% **Copper**
COIL



MODELS

POWER (DIA)

SHFM-4BM	1.5 hp (1.5" X 1.5")
SHFM-5CM	3 hp (2" X 2")
SHFM-6AM	3 hp (3" X 3")

Control Box



MODELS

0.5 hp	0.75 hp
1 hp	1.5 hp
2 hp	3 hp

Pressure CONTROLLER



DPC-01

HORIZONTAL



DPC-07

VERTICAL



Float SWITCH



MODELS

2 m

3 m

5 m

10 m



+971 52 361 4975



Bath Ban Jaaye..TM


Sparsh
—PEARL



BETTER TECHNOLOGY BETTER PERFORMANCE



TAP SPINDLES

THE "HEART" OF A TAP, ENSURING SMOOTH OPERATION & DURABILITY. TESTED FOR LONGER LIFE WITH 500,000 CYCLES.



THREE LAYER COATING

IN HOUSE TRIPLE LAYER PLATING TECHNOLOGY ON OUR PRODUCTS ENHANCES DURABILITY, CORROSION RESISTANCE AND AESTHETIC APPEAL.



TAIWANESE SINGLE LEVER CARTRIDGES

COMPACT, INTEGRATED DESIGN FOR PRECISE CONTROL OF WATER TEMPERATURE AND FLOW. TESTED FOR DURABILITY WITH 500,000 CYCLES.



GERMAN AERATORS FOR TAPS

EFFICIENT DEVICES ATTACHED TO FAUCET SPOUTS, BLENDING AIR WITH WATER FOR A STEADY, SPLASH-FREE STREAM. CONSERVES WATER AND REDUCES ENERGY USAGE.



SPARSH PEARL'S PURE BRASS COMPOSITION

CRAFTED FROM PURE BRASS INGOTS, COMPRISING 60% COPPER AND 40% ZINC. OFFERS EXCEPTIONAL MACHINABILITY AND CORROSION RESISTANCE FOR OUR PRODUCTS.



We understand there are a lot of choices to make when searching for your perfect bathroom fittings, with an overwhelming amount of confusing information and advice available.

At Sparsh Pearl we don't think it need to be that complicated. We think all you need to know is that when you choose a Sparsh Pearl product, you are getting the very best of Indian design and exceptional quality.

OUR DISTINCTIVE FEATURES



BRASS INGOTS



EXTENSIVE RANGE



3 PROTECTING O-RING SYSTEM



OPTIMUM ELECTROPLATING



HYDRAULIC AND PNEUMATIC TESTING



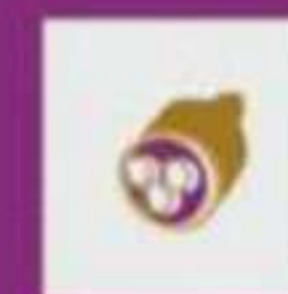
UNRIVALLED IMPORTED



DISTINCTIVE DESIGNS



OPERATE SMOOTHLY



FINEST QUALITY CARTRIDGE



Trust.. Value.. Commitment

TO DELIVER INNOVATIVE PRODUCTS CRAFTED WITH PASSION SINCE 1986

A leading name in Sanitary Ware and Bathroom Accessories, Pearl Precision Products Pvt. Ltd., is the largest company in India to manufacture Bathroom Fittings made of Metal & Engineering Polymer products.

We have a pride history and presence for more than 37 years across India.

Recently company has expanded its product range to Middle East & South Asian regions like UAE, Nepal, Bhutan, Bangladesh, Myanmar, Sri Lanka, Maldives, Oman, Yemen etc.

Experience and Expertise of Manufacturing is our one of the main assets, we have **100% In-House Manufacturing** Facility, along with **In-House Tool & Mold Development** and **Research & Development** Incubator to work on latest innovation in the industry.

37+

Years of Excellence

6

Manufacturing Units
(4 Lakh Sq. Ft. Area)

50,000+

Plumbers Associated

2,500+

Professional Manpower

3,500+

Stock Keeping Units

12+

Countries Presence

Bath Ban Jaaye..TM



TABLE OF CONTENTS



Single Lever Basin Mixer	01-02
Single Lever Basin Mixer Tall Body	03-04
Wall Mixer Telephonic with Hand Shower	05-06
Single Lever Kitchen Mixer	07
Kitchen Sink	08
Allied	09
Health Faucets Diverter	10
Sink Cock	11
Kitchen Sink Mixer	12
Swan Neck Pillar Cock	13
Floor Gratings	14
Diverter	15
Single Lever Concealed Basin Mixer Wall Mounted	16
Float Valve	17
Waste Couplings	18
Shower	19
Soap Dispensers & Waste Pipe	20
Bathroom Set	21
Concealed Cistern & Cistern With Seat Cover	22



Single Lever Basin Mixer



High Quality Cartridges to ensure lifetime smooth & leakage free operation



Log Life Cartridges Tested For 6,00,000 Operations



Bathroom Taps are cast with Solid Brass Ingot for maximum durability



Stain and hard ware resistant chrome finish to give a mirror like look.



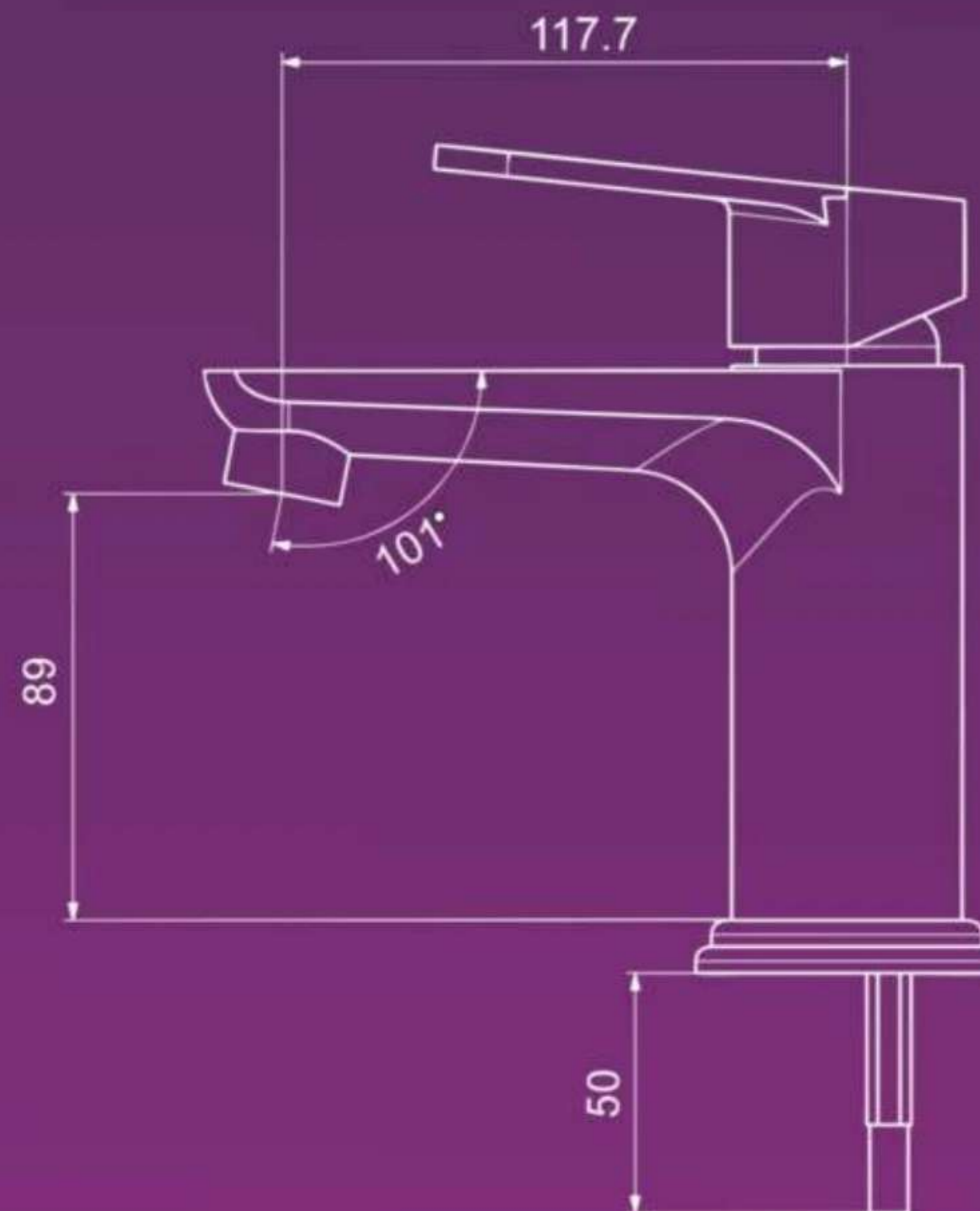
German Aerator for Splash-free foam flow made up of food grade plastic is designed to work from +5° degree to +60° degrees effectively.



High Quality Brass Permixon



Made in India By Pearl Precision Group

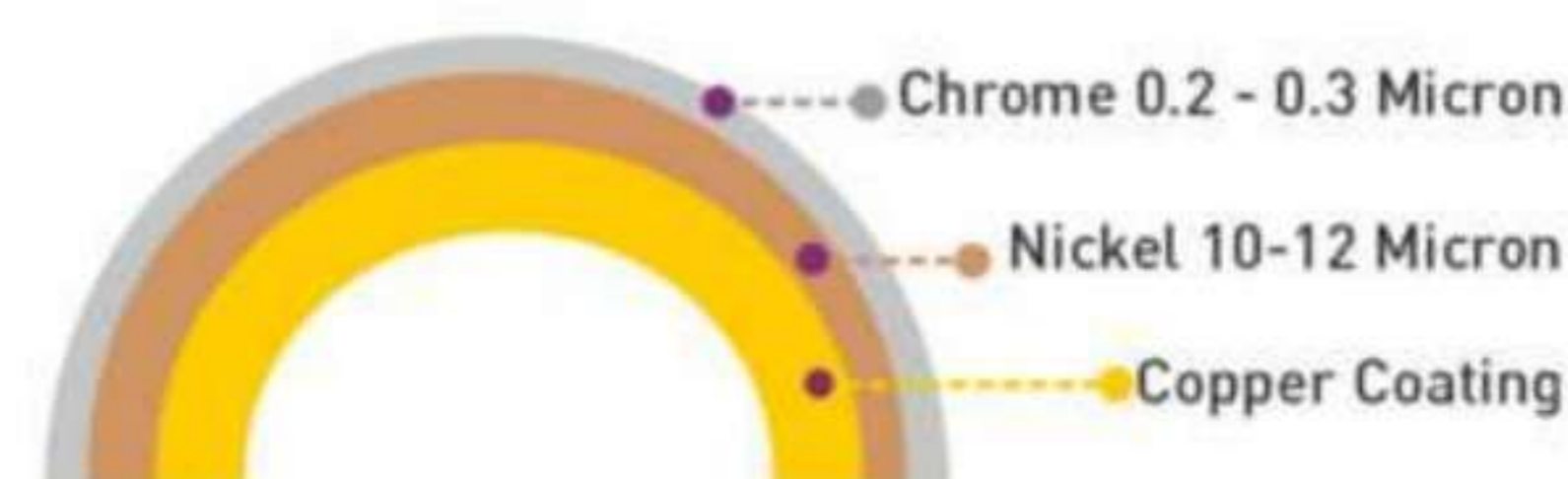


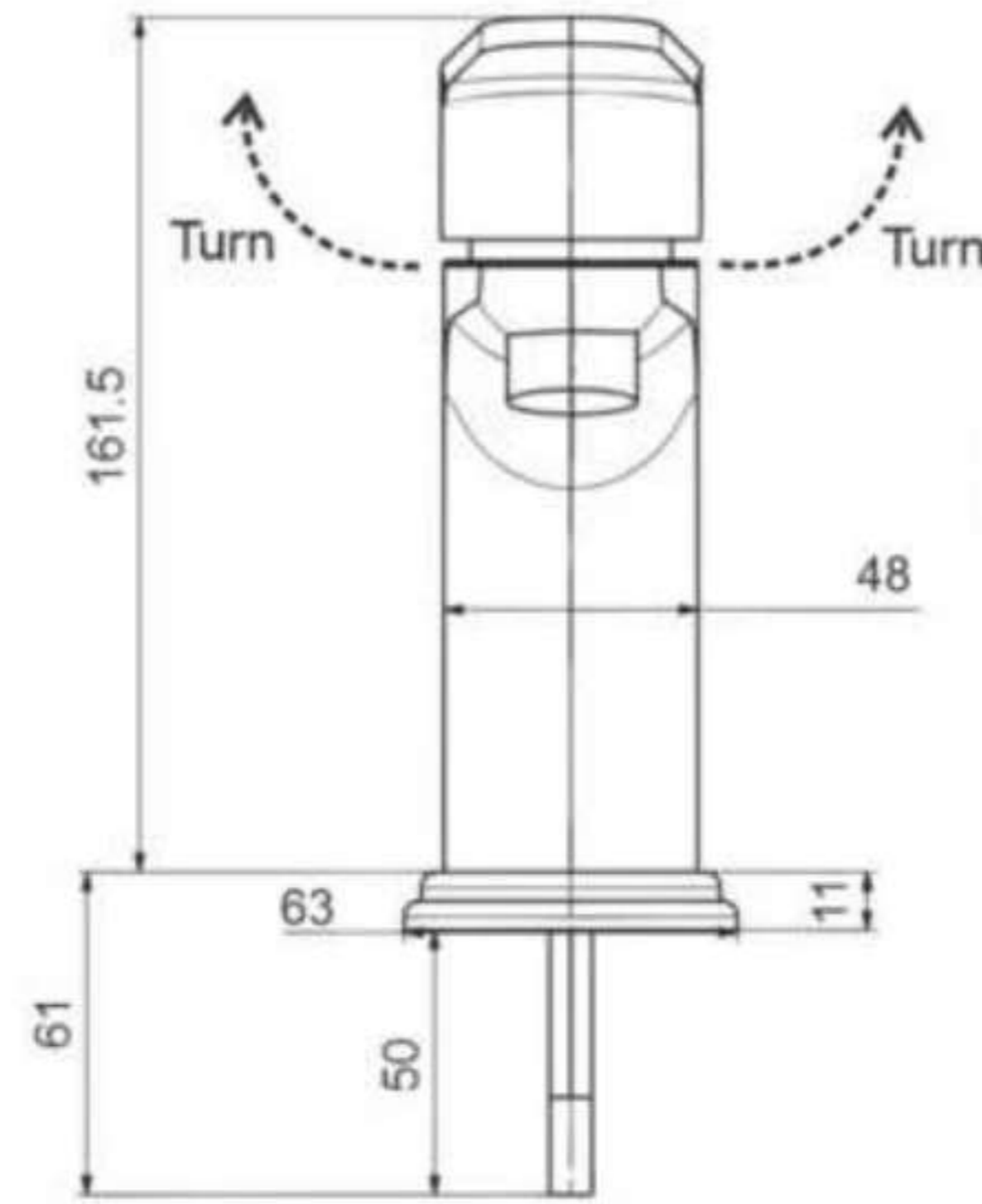
3 LAYER PROTECTION TECHNOLOGY

Durable construction and high quality material ensure long-lasting performance

Pressure	Flow Rate (LPM)
10 Bar	15-16 LPM
08 Bar	14-15 LPM
06 Bar	12-13 LPM
04 Bar	10-11 LPM
02 Bar	08-09 LPM
0.5 Bar	06-07 LPM

High Quality Chrome Plating





Single Lever Basin Mixer



NOVA-2448



OYS-2578



LEO-166



AQUA-266



JUP-367

Package Contents	
Faucet (1U)	Brass
Connection Hose (2U)	SS304 Braided
Warranty Card (1U)	Paper
Mounting Kit (10)	Brass
Special Key	MS



Single Lever Basin Mixer Tall Body



Raw Material
BRASS



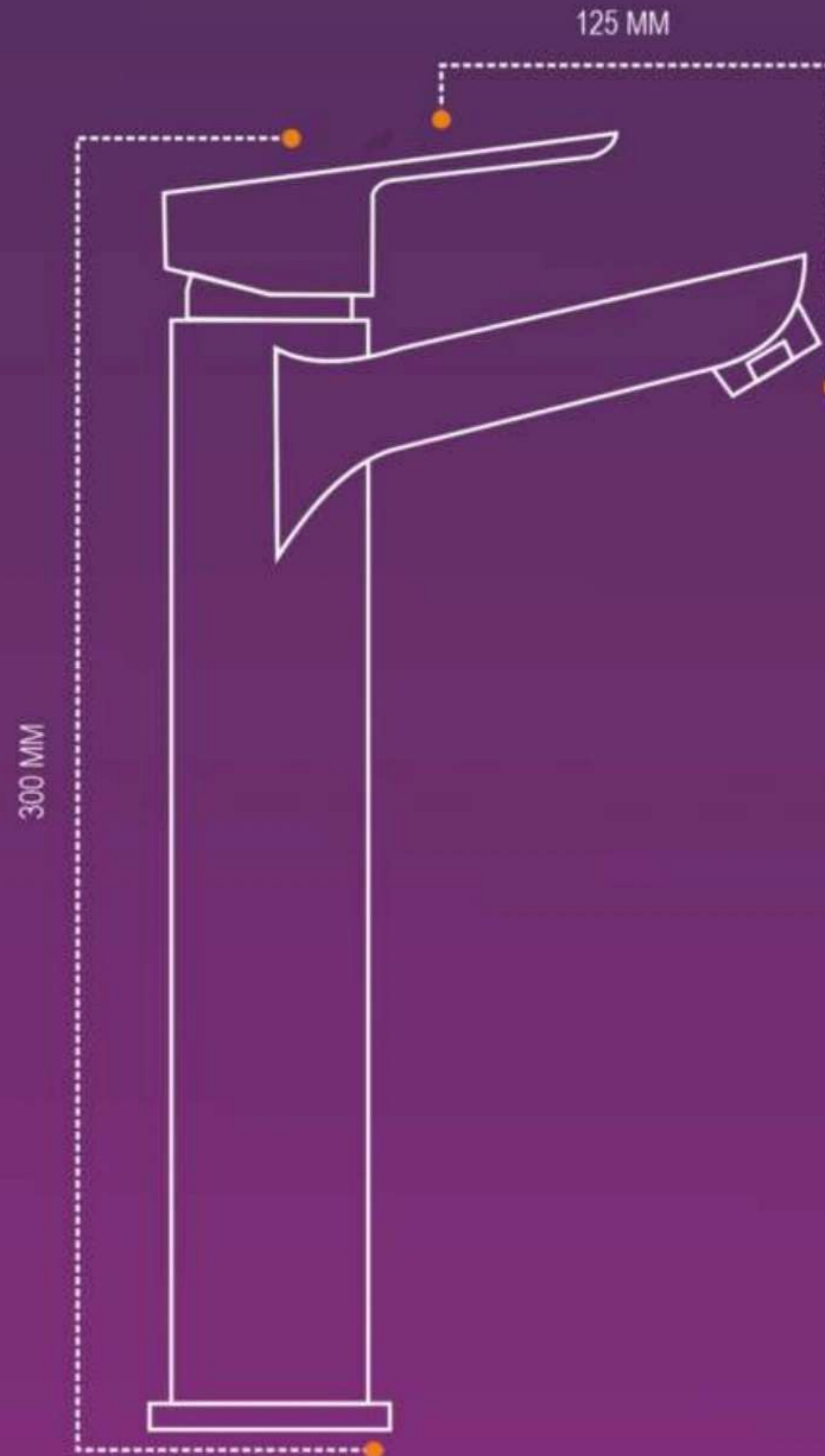
Handel Material
ZINC



Stain and hard ware resistant
chrome finish to give a mirror like look.



Item Weight
(±5%)



German Foam Flow Aerator with Brass
Permix, Spash-free flow of water



Faucet cartridge are tested for
6,00,000 operations



Made in India
By Pearl Precision Group

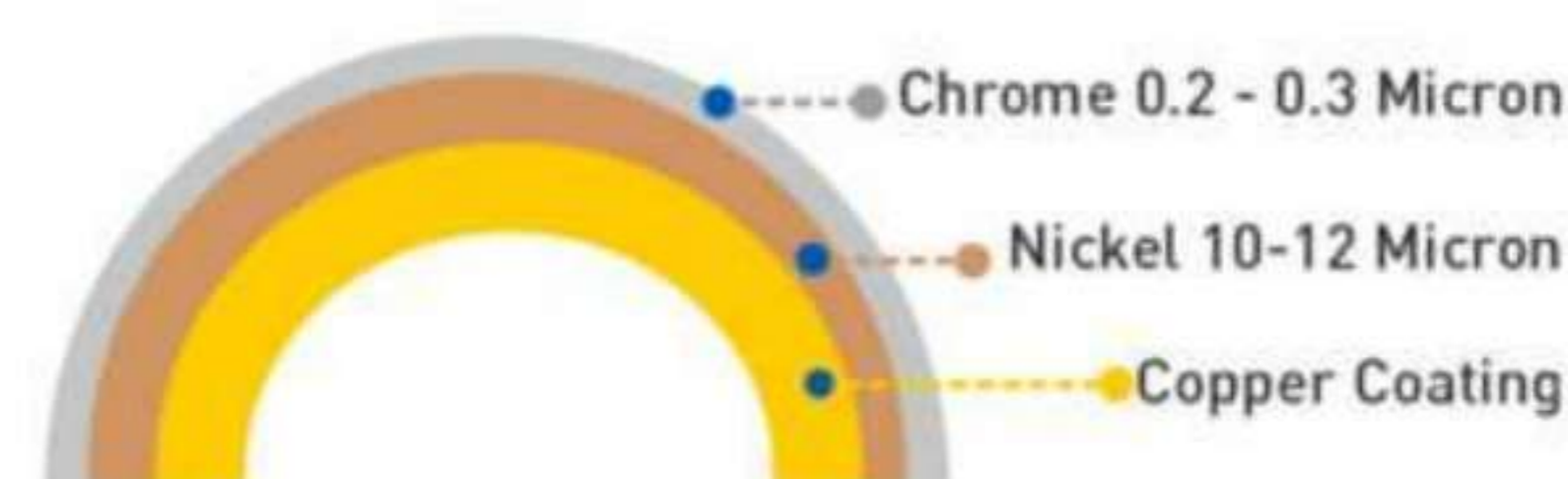


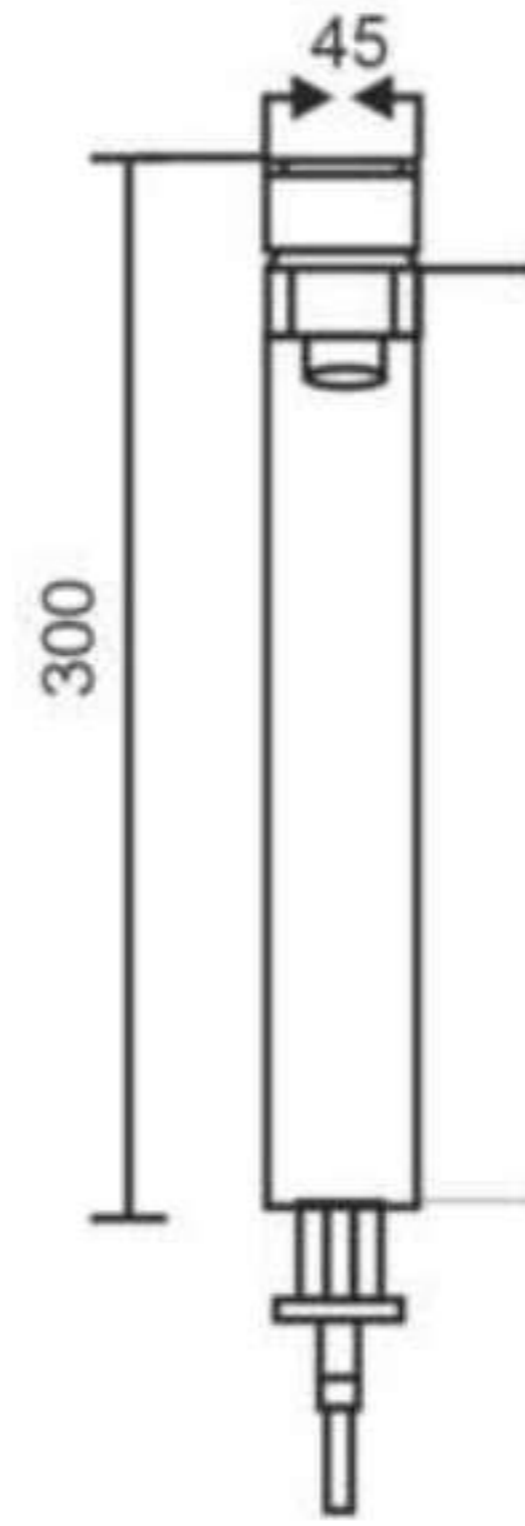
3 LAYER PROTECTION
TECHNOLOGY

Durable construction and high
quality material ensure long-lasting performance

Pressure	Flow Rate (LPM)
10 Bar	15-16 LPM
08 Bar	14-15 LPM
06 Bar	12-13 LPM
04 Bar	10-11 LPM
02 Bar	08-09 LPM
0.5 Bar	06-07 LPM

High Quality Chrome Plating





Single Lever
Basin Mixer Tall Body



NOVA-2429



OYS-2579



AQUA-278



JUP-371



LEO-183

Package Contents	
Faucet (1U)	Brass
Connection Hose (2U)	SS304 Braided
Warranty Card (1U)	Paper
Mounting Kit (10)	Brass
Special Key	MS



Wall Mixer Telephonic with Handshower



Raw Material
BRASS



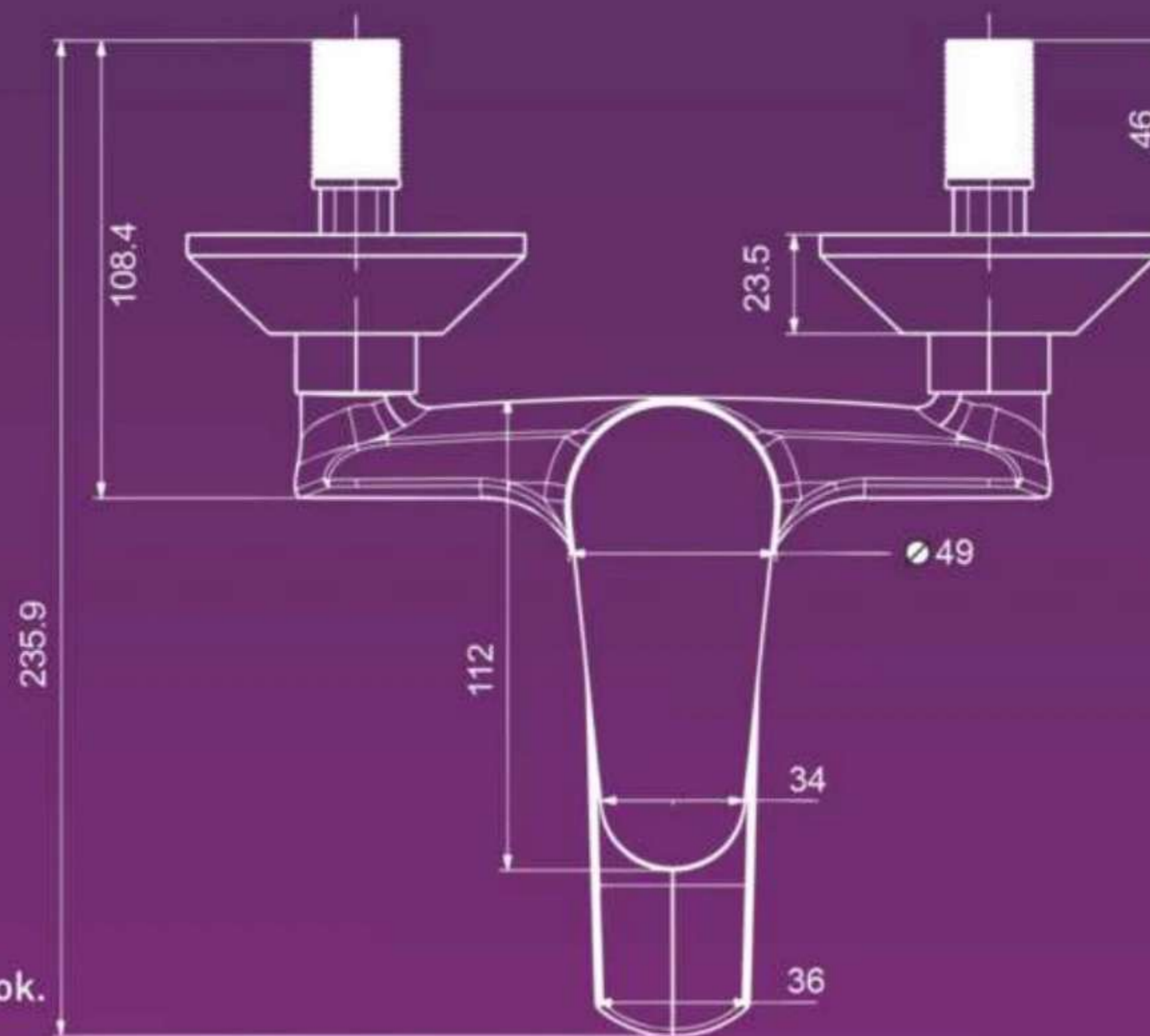
Handel Material
ZINC



Stain and hard ware resistant
chrome finish to give a mirror like look.



Item Weight
(±5%)



German Foam Flow Aerator with Brass
Permix, Spash-free flow of water



Faucet cartridge are tested for
6,00,000 operations



Made in India
By Pearl Precision Group

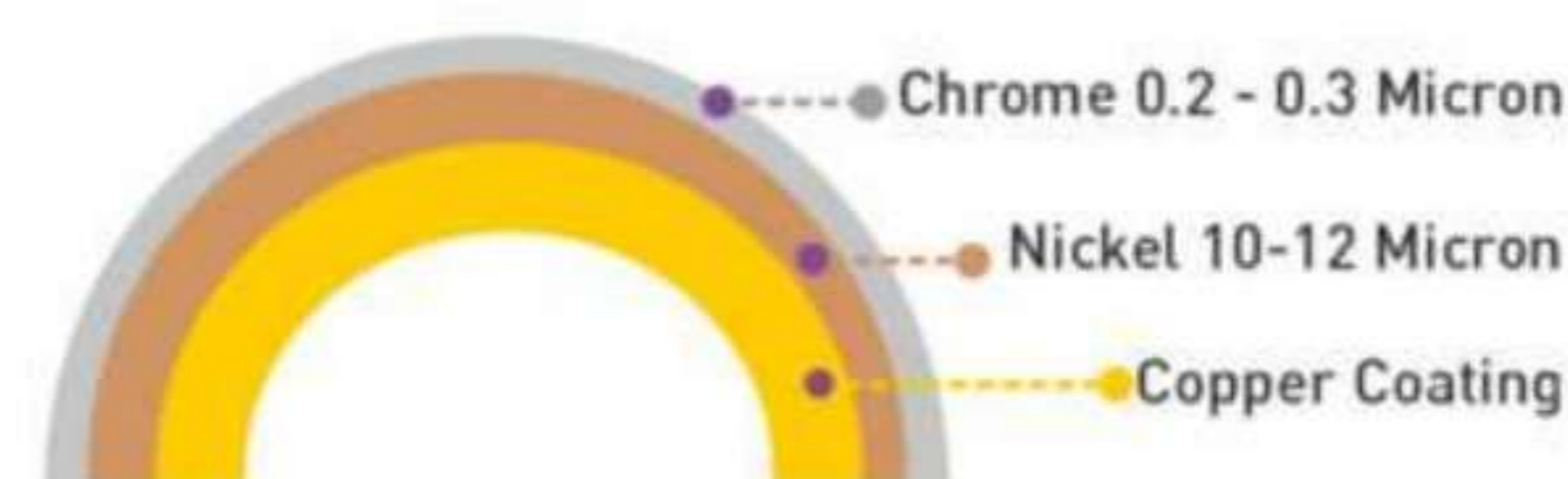


3 LAYER PROTECTION
TECHNOLOGY

Durable construction and high
quality material ensure long-lasting performance

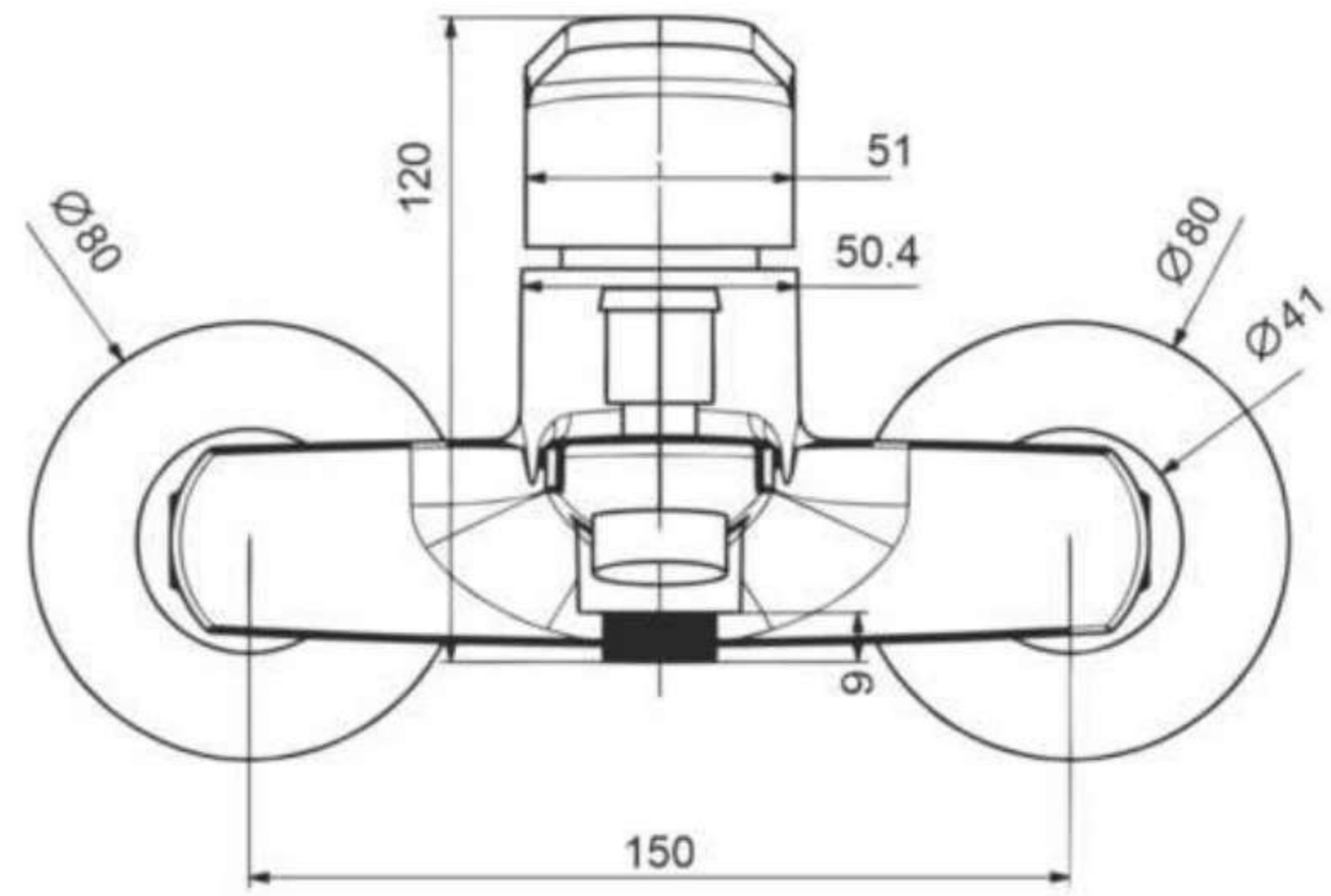
Pressure	Flow Rate (LPM)
10 Bar	15-16 LPM
08 Bar	14-15 LPM
06 Bar	12-13 LPM
04 Bar	10-11 LPM
02 Bar	08-09 LPM
0.5 Bar	06-07 LPM

High Quality Chrome Plating





Wall Mixer Telephonic with Hand Shower



NOVA-2443



OYS-2583



LEO-199

Package Contents	
Faucet (1U)	Brass
Connection Hose (1U)	SS304
Warranty Card (1U)	Paper
Hand Shower	Chrome
Hook	Chrome



Single Lever Kitchen Mixer



Nova



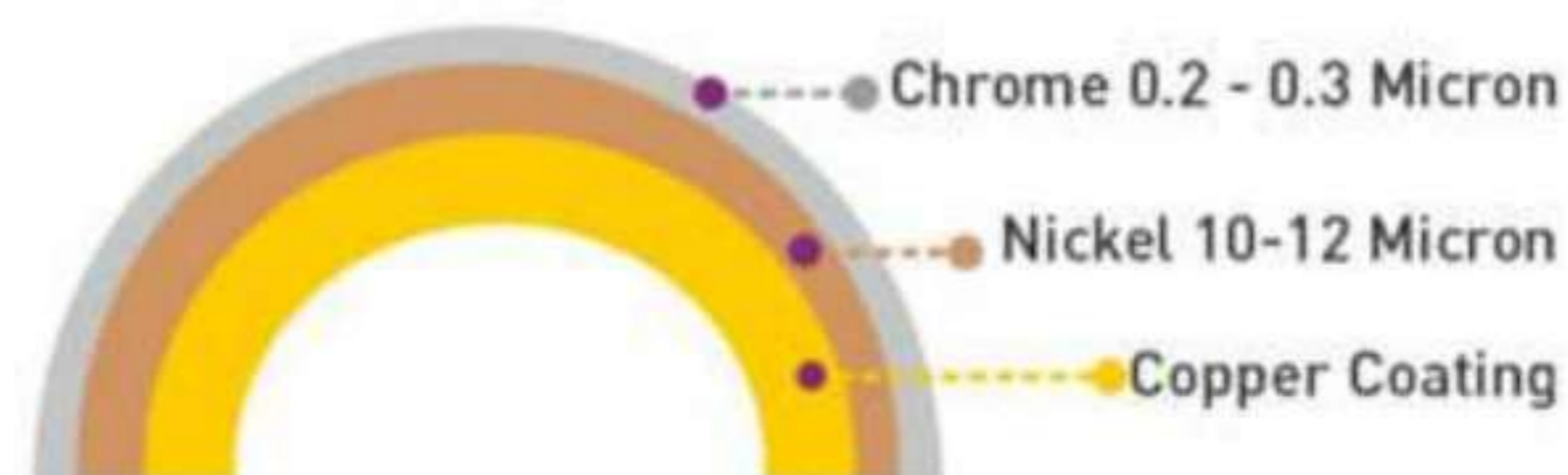
Oyster



Leo-



High Quality Chrome Plating



Pressure	Flow Rate (LPM)
2 Bar	8-9
4 Bar	10-11
6 Bar	12-13
8 Bar	14-15
10 Bar	10-11



Kitchen Sink



Sound Damping Pad

Rubber ring technology is used to reduce noise in kitchen while dish washing.



Plastic Gaurd

Pearl Precision Sink are packed with plastic guard to give it complete protection against scratches & dust particles before reaching you.



PEARL PRECISION SERIES

Kitchen Stainless Steel Sink 204 (0.8 mm Thickness)

CAT NO.	SIZES	PARTICULAR	M.R.P.	M.Box
PPKS-902	18x16x8	PPKS 18x16x8 OVAL	₹ 2590/-	8 Pcs.
PPKS-903	20x17x8	PPKS 20x17x8 OVAL	₹ 2960/-	8 Pcs.
PPKS-904	22x18x8	PPKS 22x18x8 OVAL	₹ 3390/-	6 Pcs.
PPKS-901	24x18x9	PPKS 24x18x9 OVAL	₹ 3390/-	6 Pcs.

M. Box = Master Box



PEARL PRECISION SERIES

Kitchen Stainless Steel Sink 204 (0.8 mm Thickness)

CAT NO.	SIZES	PARTICULAR	M.R.P.	M.Box
PPKS-907	37x18x8	PPKS 37x18x8 SB OVAL TB	₹ 4580/-	4 Pcs.
PPKS-906	37x18x8	PPKS 37X18X8 DB OVAL TB	₹ 5890/-	4 Pcs.
PPKS-905	45x20x9	PPKS 45x20x9 DB OVAL TB	₹ 7480/-	3 Pcs.

M. Box = Master Box



DISPLAY



COLLECTION ALLIEDS



LAYER PROTECTION TECHNOLOGY

Durable construction and high quality material ensure long-lasting performance



ALL-1103
Zen Angle Cock



ALL-1110
Nano Angle Cock



ALL-319
Eco Angle Cock



ALL-319
Turbo Angle Cock



ALL-1011
Sink Cock **Spout Operated**



ALL-1012
Swan Neck **Spout Operated**



SUR-935
Surgical Bib Cock Long Body



ALL-936
Surgical Pillar Cock



ALL-315
Pressmatic Bib Cock



ALL-316
Pressmatic Angle Cock



ALL-317
Pressmatic Pillar Cock

Pressure	Flow Rate (LPM)
17-18 Bar	15-16 LPM
15-16 Bar	14-15 LPM
13-10 Bar	12-13 LPM
11-12 Bar	10-11 LPM
10-10 Bar	08-09 LPM
2.8 Bar	06-07 LPM



Neo Aqua 2 in 1 Health Faucets (with T/H)
 Cat No.: HF-1251 | 1 Mtr.
 Cat No.: HF-1252 | 1.5 Mtr.

HEALTH FAUCETS & DIVERTER



Premium Ivory 2 in 1 (with T/H)
 Cat No.: HF-140 | 1 Mtr.
 Cat No.: HF-141 | 1.5 Mtr.

COLORS AVAILABLE



Hero Health Faucet ABS
 (with PVC T/H)
 Cat No.: HF-1256 | 1.2 Mtr.



Classic Ivory 2 in 1 (with PVC T/H)
 Cat No.: HF-146 | 1 Mtr.
 Cat No.: HF-147 | 1.5 Mtr.



Premium Chrome 2 in 1 (with T/H)
 Cat No.: HF-130 | 1 Mtr.
 Cat No.: HF-131 | 1.5 Mtr.



Hero Health Faucet Chrome
 (with CP T/H)
 Cat No.: HF-1261 | 1.2 Mtr.



Classic Chrome 2 in 1 (with T/H)
 Cat No.: HF-133 | 1 Mtr.
 Cat No.: HF-134 | 1.5 Mtr.



Sink Cock

3 LAYER PROTECTION TECHNOLOGY

Durable construction and high quality material ensure long-lasting performance



OYS-2562



AQU-290



NOVA-2406



JUP-390



LEO-157

Package Contents	
Faucet (1U)	Brass
Pipe	Brass
Warranty Card (1U)	Paper

Pressure	Flow Rate (LPM)
10 Bar	15-16 LPM
08 Bar	14-15 LPM
06 Bar	12-13 LPM
04 Bar	10-11 LPM
02 Bar	08-09 LPM
0.5 Bar	06-07 LPM



Kitchen Sink Mixer



NOVA-2411



OYS-2562



LEO-2134



AQU-292



JUP-392

Package Contents	
Faucet (1U)	Brass
Warranty Card (1U)	Paper

Pressure	Flow Rate (LPM)
10 Bar	15-16 LPM
08 Bar	14-15 LPM
06 Bar	12-13 LPM
04 Bar	10-11 LPM
02 Bar	08-09 LPM
0.5 Bar	06-07 LPM



Swan Neck Pillar Cock



LAYER PROTECTION TECHNOLOGY

Durable construction and high quality material ensure long-lasting performance



OYS-2562



AQU-291



NOVA-2406



LEO-157



JUP-391

Package Contents

Faucet (1U)	Brass
Pipe	Brass
Warranty Card (1U)	Paper

Pressure	Flow Rate (LPM)
10 Bar	15-16 LPM
08 Bar	14-15 LPM
06 Bar	12-13 LPM
04 Bar	10-11 LPM
02 Bar	08-09 LPM
0.5 Bar	06-07 LPM



Trust. Value. Commitment



European Collaboration

Floor Gratings

(SS-202)



Cat No.: FG-51-DIA 114mm
Cat No.: FG-97-DIA 127mm
Pisto



Cat No.: FG-52-DIA 114mm
Cat No.: FG-98-DIA 127mm
Pisto Gypsy



Cat No.: FG-61
Sani Square
Size: 150x150mm



Cat No.: FG-71
Sani Troking
Size: 150x150mm



Cat No.: FG-62
Sani Square Gypsy
Size: 150x150mm



Cat No.: FG-72
Sani Troking Gypsy
Size: 150x150mm



Cat No.: FG-73
Sani Troking Flat Cut
Size: 150x150mm



Cat No.: FG-74
Sani Troking Gypsy Flat Cut
Size: 150x150mm



Cat No.: FG-91
Sani Troking Gold Classic
(With Lock System)
Size: 150x150mm



Cat No.: FG-92
Sani Troking Gold Gypsy
(With Lock System)
Size: 150x150mm



Cat No.: FG-94
Sani Troking Gold Torris
(With Lock System)
Size: 150x150mm



Cat No.: FG-93
Sani Troking Gold Flat Cut
(With Lock System)
Size: 150x150mm



Cat No.: FG-81
Sani Troking With Hinge
Size: 150x150mm



Cat No.: FG-82
Sani Troking Gypsy with Hinge
Size: 150x150mm



Cat No.: FG-96
Sani Troking Export
(With Lock System)
Size: 150x150mm
(Also Available in 304 & 316)



PTMT Square Grating (SLIT)
Cat. No. FG-99 | 100mm
Cat. No. FG-100



Cat No.: FT-95
Floor Trap (ABS)
Size: 150x150mm

Package Contents

Faucet (1U)	SS202 Braided
Warranty Card (1U)	Paper



Diverter

3 LAYER PROTECTION TECHNOLOGY
 Durable construction and high quality material ensure long-lasting performance

10 YEARS WARRANTY
QUALITY MANUFACTURING SERVICE



Single Lever
 2- Inlet Concealed Diverter
 40MM (High Flow)



Single Lever
 2- Inlet Concealed Diverter
 45MM



Diverter Plate & Handle
 40MM (Upper Part)
 JUP-383



Diverter Plate & Handle
 45 MM (Upper Part)
 JUP-384



Diverter Plate & Handle
 40MM (Upper Part)
 AQUA-275



Diverter Plate & Handle
 45 MM (Upper Part)
 AQUA-276



Diverter Plate & Handle
 40MM (Upper Part)
 NOVA-2419



Diverter Plate & Handle
 45 MM (Upper Part)
 NOVA-2421



Diverter Plate & Handle
 40MM (Upper Part)
 OYS-2569



Diverter Plate & Handle
 45 MM (Upper Part)
 OYS-2571



Diverter Plate & Handle
 40MM (Upper Part)
 LEO-174



Diverter Plate & Handle
 45MM (Upper Part)
 LEO-176

Package Contents

Faucet (1U)	Brass
Warranty Card (1U)	Paper

Pressure	Flow Rate (LPM)
10 Bar	15-16 LPM
08 Bar	14-15 LPM
06 Bar	12-13 LPM
04 Bar	10-11 LPM
02 Bar	08-09 LPM
0.5 Bar	06-07 LPM



Trust. Value. Commitment



European Collaboration

Single Lever Concealed Basin Mixer Wall Mounted

(SS-202)



NOVA-2043



OYS-2573



AQU-288



LEO-170

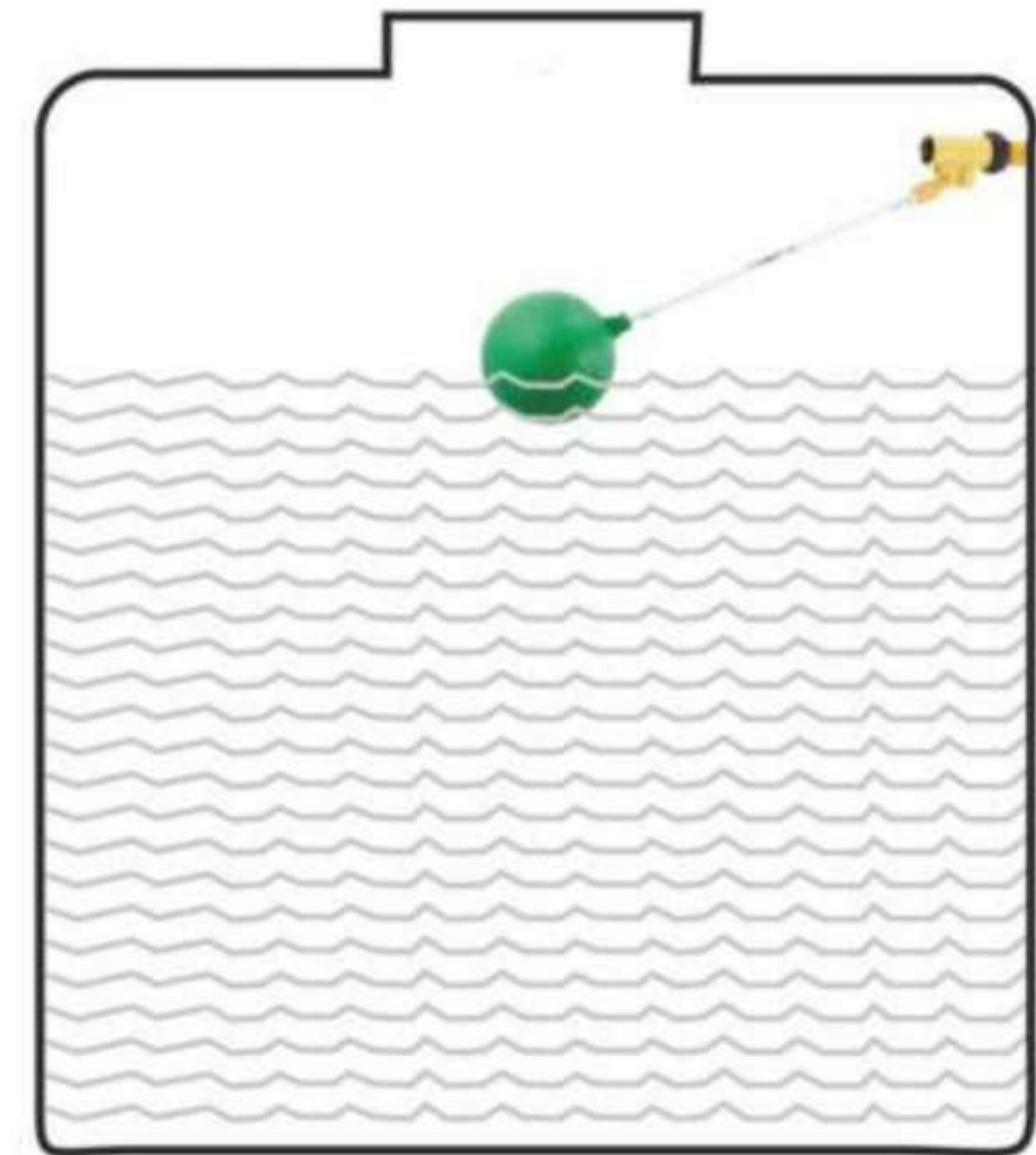


JUP-366

Package Contents

Faucet (1U)	Brass
Warranty Card (1U)	Paper

Pressure	Flow Rate (LPM)
10 Bar	15-16 LPM
08 Bar	14-15 LPM
06 Bar	12-13 LPM
04 Bar	10-11 LPM
02 Bar	08-09 LPM
0.5 Bar	06-07 LPM



Float Valves



Float Valve Body
Aluminum Road & H.D. Ball)
Also available in
Yellow Body with Green Ball

Ball Cock Body with
Rod & Ball

Cat No.	Sizes
BCC-301	15 mm
BCC-302	20 mm
BCC-303	25 mm
BCC-304	32 mm
BCC-305	40 mm



Ivory Body with Blue Ball

Ball Cock Body with Rod & Ball (Small)
Cat No.: BCC-306 | 25mm



Ball Cock Rod

Cat No.: AP-221 | 15mm
Cat No.: AP-222 | 20mm
Cat No.: AP-223 | 25mm
Cat No.: AP-249 | 32mm
Cat No.: AP-250 | 40mm

P.T.M.T. Ball Cock
Body Only

Float Valve Body without Rod & Ball



Cat No.	Sizes
BCB-311	15 mm
BCB-312	20 mm
BCB-313	25 mm
BCB-314	32 mm
BCB-315	40 mm



Ball Cock Ball

Cat No.	Sizes
AP-207	15 mm
AP-219	20 mm
AP-220	25 mm
AP-237	32 mm
AP-237	40 mm



Waste Couplings Poly Ceramic



Waste Coupling Half Thread
1.25" | 31/32mm (H/T)
Cat No.: WC-180



Waste Coupling Full Thread
1.5" | 38/40mm (F/T)
Cat No.: WC-182



Waste Coupling Full Thread
1.25" | 31/32mm (F/T)
Cat No.: WC-181



Waste Coupling Full Thread
ALL-1052



Waste Coupling Half Thread
ALL-1053

Kitchen Couplings Brass



(SS)

Waste Coupling 4"
CAT NO.: KS-027 |



(PP)

Waste Coupling 4"
CAT NO.: KS-030

Bottle Trap



Square Bottle Trap
ALL-331



Round Bottle Trap
ALL-332



Round Bottle Trap With 12" Pipe
ALL-333



Bottle Trap
Cat No.: BT-236 (31/32mm)
Cat No.: BT-237 (38/40mm)



Shower



(ABS with Chrome)
Round 100 mm
Cat No.: SHP-525



Round Shower with Arm (SS) (100mm)
Cat No.: SHP-WR-552 | 6" Arm
Cat No.: SHP-WR-574 | 9" Arm



(ABS with Chrome)
Square 100x100mm
Cat No.: SHP-523



Square Shower with Arm (SS) (100x100mm)
Cat No.: SHP-WR-550 | 6" Arm
Cat No.: SHP-WR-572 | 9" Arm



(ABS with Chrome)
Round 125 mm
Cat No.: SHP-524



Round Shower with Arm (SS) (125mm)
Cat No.: SHP-WR-551 | 6" Arm |
Cat No.: SHP-WR-573 | 9" Arm



(ABS with Chrome)
Square 150x150mm
Cat No.: SHP-522 |



Sandwich (SS-304)
100x100mm
Cat No.: SHP-537



Sandwich (SS-304)
150x150mm
Cat No.: SHP-521



Sandwich (SS-304)
200x200mm
Cat No.: SHP-538



Ultra Slim (SS-304)
100x100mm
Cat No.: SHP-528



Edge (SS-304/ABS Frame)
165x165mm
Cat No.: SHP-549



Ultra Slim (SS-304)
200x200mm
Cat No.: SHP-529



Trust. Value. Commitment



European Collaboration

Soap Dispensers Waste Pipe



COLORS AVAILABLE  



Soap Dispenser-1 (400ml)
Cat No.: SD-257



Soap Dispenser-Chrome (400ml)
Cat No.: SD-260



Soap Dispenser-2 (300ml)
Cat No.: SD-258



Soap Dispenser-3 (400ml)
Cat No.: SD-259

COLORS AVAILABLE



Collapsible Waste Pipe
Cat No.: FWP-186



Cat No.: FWP-187



Waste Pipe
Cat No.: WP-183 (750mm)
Cat No.: WP-184 (900mm)
Cat No.: WP-185 (1200mm)



Made In India

BATHROOM SET

JOLI



JOL-2652
Towel Rod - 24"



JOL-2653
Towel Ring



JOL-2654
Soap Dish

JOL-2651 (Set of 5 Pcs.)

JOL-2652	1
JOL-2653	1
JOL-2654	1
JOL-2655	1
JOL-2656	1



JOL-2655
Tumbler Holder



JOL-2656
Robe Hook



JOL-2657
Tissue Holder with Flap



JOL-2658
Soap Dish
with Tumbler Holder

PLATINA



PLA-2671
Towel Rod - 24"



PLA-2672
Towel Ring



PLA-2673
Soap Dish

PLA-2670 (Set of 5 Pcs.)

PLA-2671	1
PLA-2672	1
PLA-2673	1
PLA-2674	1
PLA-2675	1



PLA-2674
Tumbler Holder



PLA-2675
Robe Hook



PLA-2677
Soap Dish
with Tumbler Holder



PLA-2676
Tissue Holder with Flap



Concealed Cistern & Cistern With Seat Cover



Cat No.: CCQF-100
Concealed Quick Flushing Cistern

(*Actuator Plate, Frame & Extra Fittings not included)

Master Box: 5 Pcs.



Cat No.: CCQF-101
Concealed Quick Flushing Cistern with Frame & Extra Fittings

(*Actuator Plate not included)
Master Box: 5 Pcs.



Cat No.: C-011
Flo Single Flushing Cistern with Air Freshener 8 Ltrs.



COLORS... **Cat No.: C-008/FLR/EG/FH**
Edge Prime Dual Flushing Cistern 8 Ltrs.



Eco
Cat No.: SC-010



Passion
Cat No.: SC-011



Passion with Jet
Cat No.: SC-012



Duo Heavy Seat Cover (Kids+Adults)
Cat No.: SC-022



P.T.M.T TAPS



PIPES & FITTINGS

FlowShield[®]
Leak Nahi. Sab Sahi.
BY Sparsh PEARL



SANITARYWARE



WATER TANK

FlowShield[®]
Leak Nahi. Sab Sahi.
BY Sparsh PEARL



CLIENT LIST

URBAN DEVELOPMENT & WORKS DEPARTMENT

CPWD, PWD, NDMC, AIIMS.

ARMED FORCES

MES (Army, Air Force, Navy), BSF, CRPF, GREF, Ordnance Factory.

TRANSPORT SECTOR

Indian Railways, Air Port Authority of India.

HEALTH SERVICES SECTOR

AIIMS, Central Government Hospital, State Government Hospital, PGI - Chandigarh.

PSUs

ONGC, IOCL, BHEL, COAL India, Rail Coach Factory.

EDUCATION SECTOR

Delhi University, Banaras Hindu University, IITs, NITs.

POWER SECTOR

Atomic & Nuclear Power Station, NTPC, BBMB.

HOUSING SECTOR

State Housing Boards. Police Housing Boards.



**ELEVATE YOUR DAILY RITUALS WITH A
SPLASH OF LUXURY**

COMING SOON TO REDEFINE YOUR FAUCET EXPERIENCE.



OUR JOURNEY SINCE 1986



B-46, Sec. 81, Noida
Concealed Cisterns,
SS Sinks, SS Showers,
Bathroom Accessories



B-47, Sec. 81, Noida
CP Bath Fittings,
Ladders, Cloth Dryers,
ABS Chrome Showers,
Health Faucets



C-86, Sec. 88, Noida
Flushing Cisterns,
Seat Covers



B-14, Sec. 80, Noida
P.T.M.T. Taps, Seat Covers,
Concealed Cisterns,
Ball Cocks, Cabinets,
Soap Dispensers,
Garden Hose Pipes,
Connection Hose Pipes,
Corner Shelves,
Floor Gratings



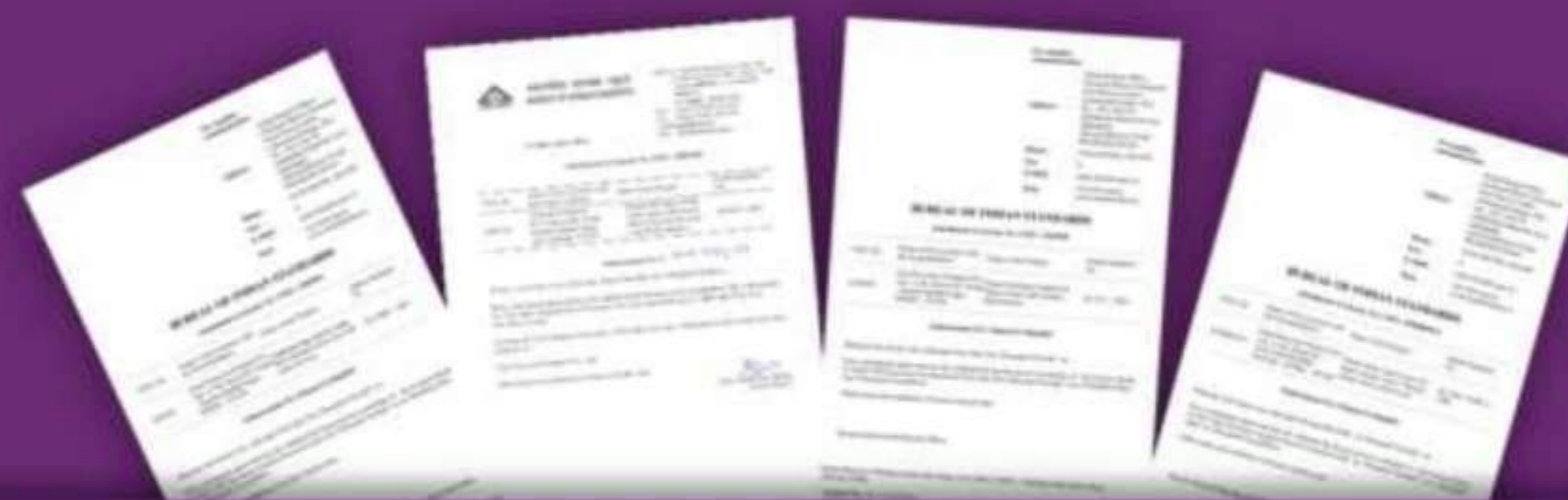
B-86, Sec. 80, Noida
CPVC PIPES & FITTINGS,
UPVC PIPES & FITTINGS,
AGRI PIPES & FITTINGS,
SWR PIPES & FITTINGS



**Plot-81, Sec Ecotech-1,
Extension, Greater Noida**
Water Tanks



This has been the philosophy of PEARL PRECISION PRODUCTS PVT. LTD. from its inception. From a humble beginning in the year 1986, the organization has taken a giant leap with Five manufacturing units in Noida. A dream which was conceived in the mid-eighties has virtually turned into reality.



OUR CERTIFICATIONS

Government Sector Clients:

MES, CPWD, Railways, PWD, Jal Nigam, Awaz Vikas Yojna & Other Public Sectors etc.



Trust. Value. Commitment

Manufactured & Marketed By:

PEARL PRECISION PRODUCTS PVT. LTD.

HEAD OFFICE:

B-46 & 47, Sector 81, Noida, Uttar Pradesh, India-201305

CORPORATE OFFICE:

B-14, Sector 80, Noida, Uttar Pradesh, India-201305

WORKS

C-86, Sector 88, Noida, Uttar Pradesh, India-201305

PRECISION SANITARY PRODUCTS PVT. LTD.

WORKS :

B-86, Sector 80, Noida, Uttar Pradesh, India-201305

E-mail : enquiry@pproducts.in

Website : www.pearlprecisionproducts.com

Call us at : 0120-4219233/35

ERBA®

SUPERIOR QUALITY PVC ELECTRICAL CONDUIT FITTINGS



MEDIUM GRADE ROUND CONDUIT



SIZE	PCS/BOX
20 mm	25
25 mm	20

SPACE BAR SADDLE



SIZE	PCS/BOX
20 mm	150
25 mm	120

STRAIGHT COUPLER



SIZE	PCS/BOX
20 mm	
25 mm	
32 mm	
38 mm	
50 mm	

NORMAL BEND-SLIP TYPE



SIZE	PCS/BOX
20 mm	250
25 mm	90

FEMALE ADAPTOR



SIZE	PCS/BOX
20 mm	140
25 mm	80

TERMINAL 1-WAY JUNCTION BOX



SIZE	PCS/BOX
20 mm	30
25 mm	25

THROUGH 2-WAY JUNCTION BOX



SIZE	PCS/BOX
20 mm	20
25 mm	20

ANGLE 2-WAY JUNCTION BOX



SIZE	PCS/BOX
20 mm	25
25 mm	20

T 3-WAY JUNCTION BOX



SIZE	PCS/BOX
20 mm	15
25 mm	15

U 2-WAY JUNCTION BOX



SIZE	PCS/BOX
20 mm	20
25 mm	20

Y 3-WAY JUNCTION BOX



SIZE	PCS/BOX
20 mm	20
25 mm	15

4-WAY INTERSECTION JUNCTION BOX



SIZE	PCS/BOX
20 mm	15
25 mm	10

H 4-WAY JUNCTION BOX



SIZE	PCS/BOX
20 mm	15
25 mm	15

ADAPTABLE BOX WITHOUT LID



SIZE	PCS/BOX
3 x 3	16

CIRCULAR LID



SIZE	PCS/BOX
66 mm	210

ADAPTABLE BOX WITHOUT LID



SIZE	PCS/BOX
6 x 3	10

ERA[®]

+971 52 361 4975

