



ELJI International LLC
الجي انترناشونال ذم م

- ⊗ Building Protection System
- ⊗ Rubber Fenders
- ⊗ EPDM Granules
- ⊗ Gym Flooring
- ⊗ Electrical Insulation Mat



Manufacturers of

**HIGH QUALITY
RUBBER PRODUCTS**

our growing line of

Quality Products





ELJI International LLC
الجي انترناشونال ذم م

Introduction



ELJI INTERNATIONAL LLC

is one of the leading
Manufacturers of Rubber
Products in the UAE.

Our experience combined with
unique compound formulation
technology helps us to provide
designs and manufacture
products with the most stringent
technical specifications and
quality requirements.

ELJI International is one of the
member units of ***Happy Holdings***
Parent concerns

Al Intishar Insulations, the
pioneers in water proofing &
Insulation and ***Greenoponics***

Company Profile

Elji International LLC, based in the UAE, is one among the leading manufacturers and suppliers of Moulded & Extruded Rubber Products, EPDM Granules Lining and Polyurethane products offering solutions to various industries.

ELJI International LLC is also the top manufacturer of Rubber Tiles and Rubber Flooring. Elji Rubber Tiles and Elji Rubber Floorings are used in residential, commercial and industrial purposes such as public parks, pavements, gymnasiums, schools, sports facilities, play areas, animal stables, residential courtyards etc.

ELJI which was initially based at Sharjah Airport Free Zone, has been relocated to Ghail Park, Ras Al Khaima in 2013, to meet the heavy expansion envisaged by the management team and the ever increasing customer demand.

ELJI, with its extensive technical expertise, experience, unique compound formulation knowledge and the infrastructure to design, manufacture and supply of the rubber products, adheres to stringent technical specifications and quality requirements. **ELJI** has been successfully accredited to ISO 9001:2000 quality system.

Sprawled over 100,000 square feet, **ELJI** International boasts of state of art machinery with a fully equipped quality department. Tests are carried out as per ASTM standards on the samples, finished goods etc; on a regular basis to ensure ongoing quality.

ELJI International's activities are fully supported by a young team of highly qualified professionals and engineers and takes immense pride in following systems and procedures based on management principles.

ELJI can meet all the Construction, Marine, Industrial and Commercial requirements for the rubber products as per the customers' specifications. **ELJI** specializes in manufacturing wide range of rubber products such as corner guards, wall guards, speed humps, wheel chokes, gaskets, seals, polyurethane products, profiles, linings, rubber sheets, fenders, pavers and tiles, floorings etc; to name a few.



Our Vision

Our vision is to establish ELJI International LLC as one of the top and best among the Rubber Products manufacturing companies in the UAE and GCC countries, catering to the various industries through the best professional back up and the strong insistence on quality at an affordable cost along with backward and forward integration of the basic facilities.



Our Mission



To manufacture the best quality rubber products for various industries using best raw materials and process through well established plants and machineries by professionally qualified staff in a cost effective manner.

CHAIRMAN'S MESSAGE



Dr.P.V.S. Namboothiripad M.Tech(I.I.T), Ph.D,
FIICHE, FAIMA, AACE
Chairman

In a vibrant, competitive and rapidly changing market, We encourage our Group to succeed by combining long-term vision with agility, tradition with innovation; keeping our entrepreneurial spirit alive emphasizing our role as corporate citizens.

MD'S NOTE



Mr.Paresh Purushothaman B.Tech(Chem), MBA
Managing Director

"Integrity, quality, commitment and innovation"
our companies' core values are key to our success and inspiration. Value based work culture is the asset we aim to develop.



ELJI International LLC
الجي انترناشونال ذم م

Quality Statement

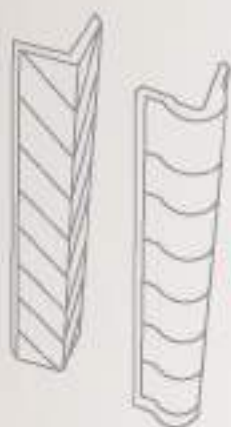
At **ELJI International LLC**, utmost importance is given to the quality of products. **ELJI** strives to deliver high quality products within the stipulated time and this is ensured by a quality department, headed by professionals and fully equipped laboratory.

ELJI is certified with ISO - 9001 for the sustained effort and approach in maintaining procedures and systems. The staff is given training periodically to ensure quality manufacturing as per the technical specification with in set parameters.

ELJI believes in delivering quality products at an optimum price, following the industry standards at every stage of manufacturing and ensuring continuous improvement in the process.



Our Products



Building Protection Systems

Corner Guards, Wall Guards, Speed Humps, Wheel Stoppers, Fenders.

Extruded Items

Rubber Tube, Hose, Solid Rubber Profiles, Flocked Glass Run Channels, Sponge Profiles and Tubes, Beading, Door Trims, Wind Shield Seals, Various profiles for NR, SBR, Neoprene, EDPM, NBR and so on...



Moulded Items

Mountings, Oil Seals, Lip Seals, O-Rings, Balls, Couplings, Rubber Inserts, Metal to Rubber bonded items, Anti-Vibration and custom made products.



EPDM Granules / Rubber Tiles

SBR/EPDM Rubber Tiles and Rubber Floorings suitable for various indoor/outdoor applications such as Play Areas, Kindergarten, Play yards, Parks, Jogging tracks, Pedestrian walk ways, Animal stables and so on...



Rubber Sheets

NR/SBR, Neoprene, EPDM, NBR, Silicon, Viton, Thickness 1mm to 50 mm and electrical insulation Rubber sheets.





Rubber Corner Guards

Corner guard are used to protect the corners of the any 90 deg. Pillar structures. These are extruded profiles manufactured from high impact resistant rubber.

Rubber Corner Guards are weather resistant, abrasion resistant, crack resistant and do not stain the vehicle. Standard color available is Black. Variants with yellow reflective strips and plain can be provided. Other colours also available on request.

Three types of Corner Guard available with us are:

- ▶ Corner guards with metal backup retainers.
- ▶ Glue type corner guards.
- ▶ U type for I beam structures.
- ▶ SS Corner Guards

Corner Guards

MATERIALS:

High impact resistant SBR+NR. Also available in EPDM

WING SIZES:

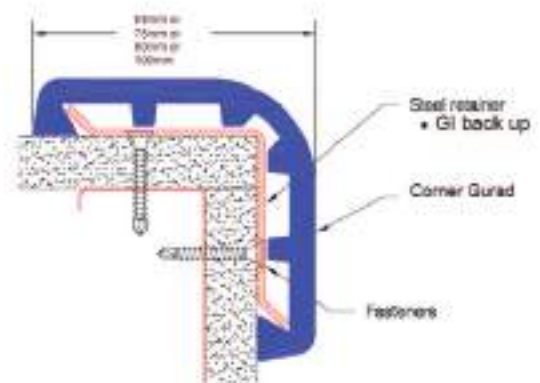
50 x 50mm, 65 x 65mm, 75 x 75mm, 90 x 90mm, 100 x 100mm, 120 x 120mm. (All the sizes mentioned above are available in plain and yellow strip variants).

STANDARD LENGTH:

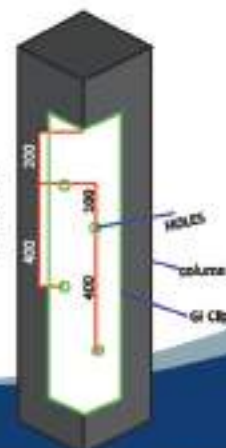
Available in standard lengths of 1000mm and 1200mm. Other sizes are also available on request.

INSTALLATION (FOR 1000mm LENGTH)

- ▶ Leave 250mm from the bottom of the concrete floor.
- ▶ Mark four 9mm dia holes as per the positions shown in the diagram.
- ▶ Insert fishers inside the drilled holes in the straight position.
- ▶ GI metal clips will be fixed with 8mm screws in the alternative side in a zigzag position.
- ▶ Then rubber corner guards will be mounted on the GI metal clip sideways from the end.

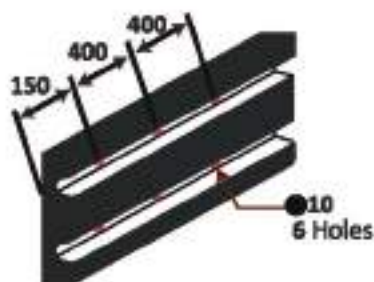


Installation
1000m
Length



GI Clip Should be fixed
with M8 Screw & Fischer

Wall Guard



Rubber Wall Guards

Wall Guards are designed to protect the wall structures from Impact of trolleys, vehicles. In car park the round columns & ramps being protected using the wall guard to prevent the scratches and dents on the bumpers of the car upon collision.

Materials:

Manufactured with high impact resistant natural rubber and SBR combination, as per request EPDM & Neoprene will be produced. Wall Guard are available in Black, Grey & Beige Color with or without yellow reflective strips.

Available Sizes:

Thickness : 20mm, 25mm, 30mm, 35mm, 40mm, 50mm.

Width : 100mm, 150mm, 200mm, 250mm, 300mm.

Standard Length:

The standard length available is 2750mm. They can be supplied as per the customer specifications.

Installation (For 1000mmlength)

- ▶ Check the fixing surface, it should be flat and perfect
- ▶ Clean the surface before clamping, mark 6 holes as per the drawing pitch distance and make a 10mm hole, for continuous clamping 400mm clamping distance to be given
- ▶ Mark two horizontal lines at a distance of 200 mm in the clamping surface. Keep the wall guard inside the line and mark the 6 holes position in the concrete surface.
- ▶ Make a 12mm dia drill hole at a deep of 40mm with the help of drilling m/c in the marked 6 bolts position. Then insert the fischer inside the drilled hole.
- ▶ Keep the wall guard in the fixing surface and clamp with the 6 bolts. Bolts head should be inside the groove and it should not be projected outside

Product Specification

Product: Corner Guard
Wall Guard, Wheel Stopper, Speed Hump

Sr. No	Test Description	ASTM METHOD	Lab Observation
1.	Material	----	NR-SBR
2.	Specific Gravity.	----	1.500
3.	Hardness. °SA	D 2240	80±5
4.	Tensile Strength (MPa Min)	D412	9± 03
5.	Elongation at Break(% Min)	D412	300
6.	Tear Resistance- Die C (KN/m min)	D624	10.8
7.	Compression Set at 22 hrs@ 70 Deg C(158 deg F) % Ma	D395	22
8.	Ageing Resistance 70 hrs@ 100 deg C(212 deg F)	D573	Below are the results for the Ageing resistance after the duration of the time and temperature
8.1	Change in Hardness.(Points)	D573	+4
8.2	Change in Tensile Strength (%)	D573	-22
8.3	Change in Elongation at Break.	D573	-24
9.	Ozone Resistance		Good
10.	Water Resistance		Good
11.	Weather Resistance		Good

Always Striving for Perfection

Rubber Speed Hump

Compression Moulded Rubber Speed Hump:

Speed Humps are parabolic vertical traffic calming devices intended to slowdown the traffic speeds to create a safer environment for pedestrian. It is a preventive road safety tool.

Materials:

Speed Humps are made of high impact resistant moulded composite UV resistant rubber and have excellent weathering and abrasion resistance.

Available Sizes:

Speed Humps are available in the following sizes:
Height : 40mm, 50mm, 60mm, 68mm, 75mm
Width : 250mm, 300mm, 400mm, 500mm
Length : 500mm or 1000 mm



Heavy Duty Steel Re-inforced Rubber Speed Hump

Heavy duty speed humps are used in heavy traffic area with heavy axle load being used in port & construction site.

Size Available :

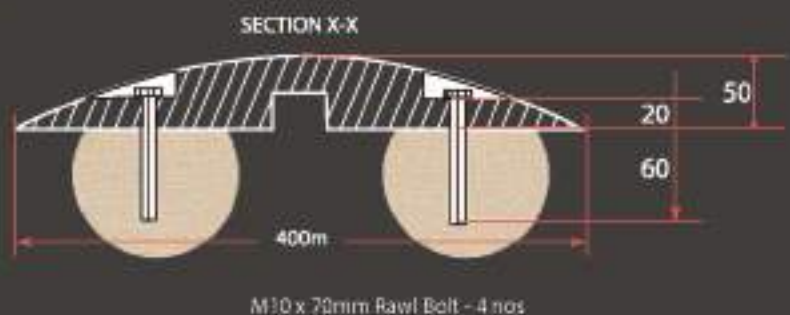
60mm Height x 400mm Wide x 1000mm Long
The load carrying capacity is 40 Ton /Axle



Comes in alternative black and yellow color. Optional accessories include red and green cat eye reflectors.

Installation Method:

The height or thickness of the speed humps will be determined by the traffic movements. Speed humps will be mounted in alternative black and yellow colours along with the end caps. Fixing accessories used are M10x70 GI rawl bolts. Fixing procedure is as mentioned below:



- Clean the installation area and put the product in place.
- Mark the two bolt positions properly.
- Drill 12mm dia 4" deep holes. Insert shield in such a way that the threaded end goes first. In order to ensure maximum expansion, the shield should protrude slightly above the concrete surface before setting.
- Keep the Road Hump in the Fixing surface and clamp it with the bolts
- Bolt head should be inside the pocket and it should not be projected outside

Rubber Wheel Stopper

Wheel Stopper:

A Wheel Stopper is a helpful tool installed in different parking spaces to help drivers to park their vehicles in the correct area. Wheel stopper inform the drivers when they cross the limit of their parking spaces and are about to hit a wall or another parked vehicle.

Materials:

Wheel Stoppers are made of high impact resistant extruded rubber and has got excellent weathering, crack and abrasion resistance.

Sizes:

125mm base width x 100mm height
130mm base width x 100mm height
140mm base width x 100mm height
150mm base width x 100mm height
150mm base width x 135mm height
150mm base width x 150mm height

Standard Length:

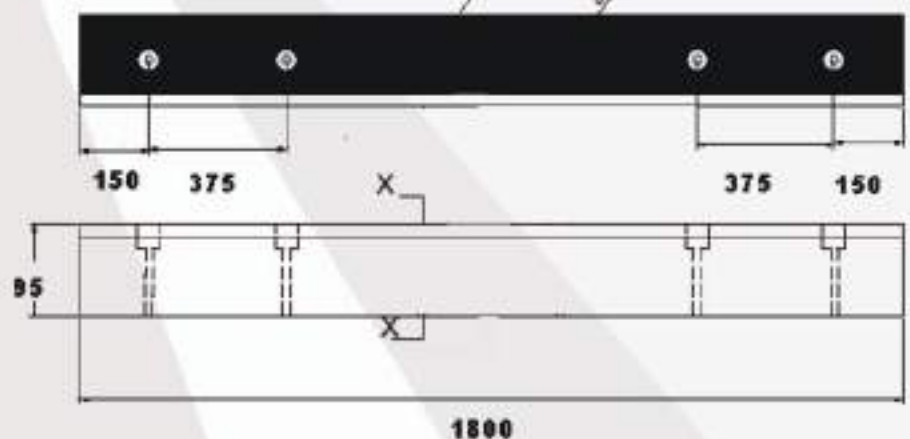
Available in standard lengths of 500mm and 1800mm. Can also be provided in different required lengths as per the customer requirements.



INSTALLATION:

- ▶ Clean the fixing surface and ensure that it is flat.
- ▶ Give clearance of 800-900mm in the front to accommodate the Vehicle front portion.
- ▶ Draw two straight lines as per the base width, where the wheel stopper needs to be fixed and keep it inside the two lines and mark the bolt positions accordingly.
- ▶ Make a Step Hole of 35mm / 18 mm dia Drill with the help of drilling machine in Rubber.
- ▶ Drill an 18mm dia Hole on the fixing surface. Then keep the wheel stopper on the exact position and fasten it with M16 X 120 GI anchor bolts.

Wheel Stopper



Fenders

Moulded &
Extruded
Product

Rubber Fenders are used on all types of vessels from cargo ships to cruise ships, ferries and personal yachts in order to prevent damage to vessels and parking structures.

Fenders will have high energy absorption and low reaction force.

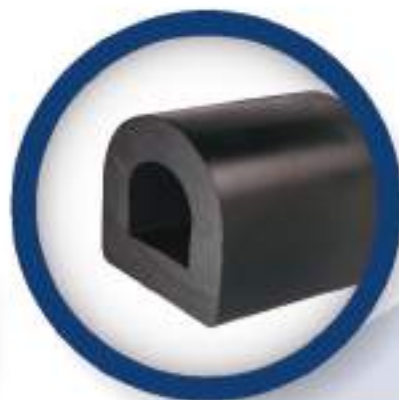
Types of Fenders

- 1) Cylindrical Fender
- 2) Arch Fenders
- 3) D Fenders
- 4) Cone Fenders
- 5) Element Fenders
- 6) Corner Fenders
- 7) Loading bay Buffer

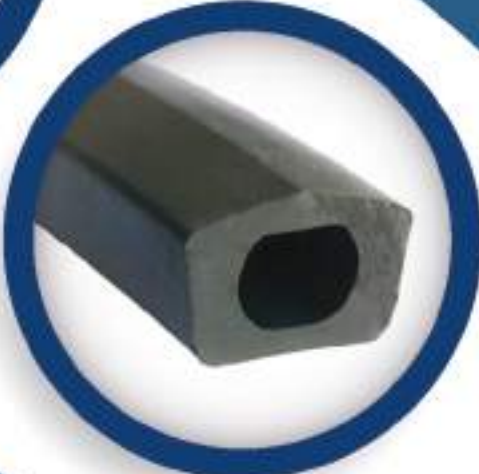
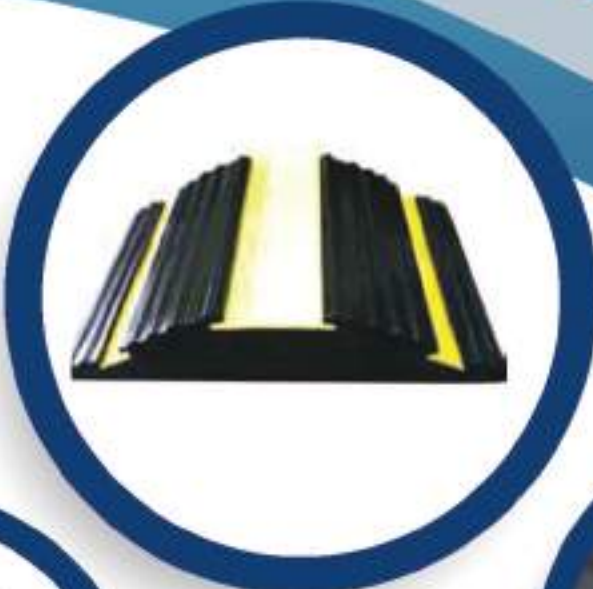
Available in any lengths as per the customer requirements. Customized fenders can also be manufactured on request.

Materials:

Fenders are made of high impact resistant extruded rubbers either in EPDM or Natural Rubber. Standard colour is black. Coloured fenders are also available on request. Fenders have excellent weathering resistance, ozone resistance, crack resistance and abrasion resistance..



Extruded Rubber



Moulded & Extruded Product

Moulded Rubber Components

We offer a wide range of moulded products which are formulated to have a wide array of physical properties. Our range of moulded components can fulfill any of your requirements whether it can be transfer, injection or compression moulded. They are manufactured using high grade formulations of Natural Rubber, SBR, EPDM, NBR, Neoprene, Silicon etc.

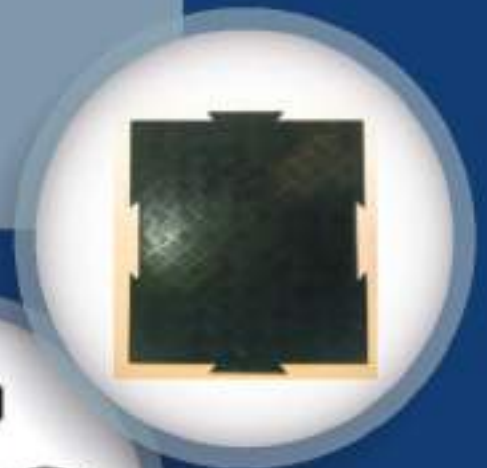
The major products include:

- ▶ Bushes/washers
- ▶ Bellows
- ▶ Sleeves
- ▶ Grommets
- ▶ Expansion joints
- ▶ Seals
- ▶ Balls



Gaskets and O rings are another major area of expertise. We are capable of producing limitless number of shapes and sizes, ranging from simple round or square to even the most complicated profiles. Also our quality control methods and procedures ensure that all the products leaving our factory are in a condition that are capable of giving a long and reliable service life.

Our moulded products are mainly used in the industries like Construction, Oil and Gas, Power and Water, Mining, Automotive, Food and Beverages and so on.



VINYL PROTECTIONS

WALL GUARD

rubber strip
panel
aluminum
end cap

SGS TÜV CE

SGS TÜV

125mm
2mm (PVC Cover)
1.4mm (Aluminum standard thickness)

Model No.	Dimensions Thickness				Install Height
	Length	Width	Vinyl Cover	Aluminum Retainer	
612B	5 m	125 mm	2 mm	1.4mm	80-90 cm

rubber strip
panel
aluminum
end cap

SGS TÜV CE 125B style

rubber strip
panel
aluminum
end cap

SGS TÜV CE 610A style

rubber strip
panel
aluminum
end cap

SGS TÜV CE 615B style

SGS TÜV

125mm
2mm
1.4mm

Model No.	Dimensions Thickness				Install Height	Width of the Strip
	Length	Width	Vinyl Cover	Aluminum Retainer		
125B	5 m	125 mm	2 mm	1.4mm	80-90 cm	45 mm

SGS TÜV

100mm
2mm (PVC Cover)
1.2mm

Model No.	Dimensions Thickness			
	Length	Width	Vinyl Cover	Aluminum Retainer
610A	5 m	100 mm	2mm	1.2(1.5) mm

SGS TÜV

151.5mm
63mm
2mm (PVC Cover)
1.2mm (Aluminum standard thickness)

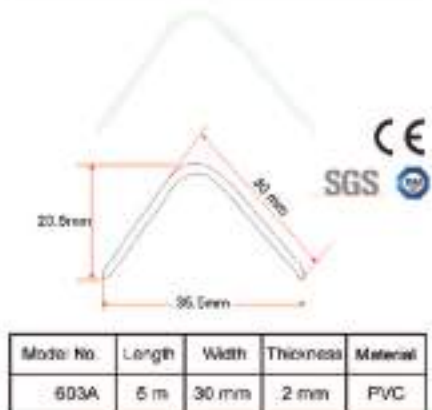
Model No.	Dimensions Thickness				Install Height	Width of the Strip
	Length	Width	Vinyl Cover	Aluminum Retainer		
615B	5 m	151.5 mm	2mm	1.2(1.5) mm	80-90 cm	55 mm

Available in different Size, Shapes & Colours

Width	140mm, 150mm, 160mm
Vinyl Thickness	2mm
Aluminium Thickness	1.4mm, 1.6mm, 1.8mm, 2mm

VINYL PROTECTIONS

CORNER GUARD



Available in different Size, Shapes & Colours

Wing Sizes	30X30mm, 50X50mm, 70X70mm
Types	Glue, Aluminium Backup
Vinyl Thickness	2mm
Aluminium Thickness	1.2mm, 1.4mm, 1.6mm, 1.8mm

VINYL PROTECTIONS

HAND RAIL



Model No.	Dimensions (Thickness)				Mounting Height	Width of Cover Strip	Flange from Hole
	Length	Width	Top of Cover	Aluminium Thickness			
618B	140	80	2.00	1.45 (min) 1.80 (max)	80-90 (cm)	80 mm	38 mm



Model No.	Dimensions (Thickness)				Mounting Height	Width of Cover Strip	Flange from Hole
	Length	Width	Top of Cover	Aluminium Thickness			
616-1	160	150	2.00	1.45 (min) 1.80 (max)	80-90 (cm)	80 mm	38 mm



Model No.	Dimensions (Thickness)				Mounting Height	Width of Cover Strip	Flange from Hole
	Length	Width	Top of Cover	Aluminium Thickness			
616F	140	140	2.00	1.60 (min) 1.80 (max)	80-90 (cm)	80 mm	38 mm



Model No.	Dimensions (Thickness)				Mounting Height	Width of Cover Strip	Flange from Hole
	Length	Width	Top of Cover	Aluminium Thickness			
616F	140	140	2.00	1.60 (min) 1.80 (max)	80-90 (cm)	80 mm	38 mm

Available in different Size, Shapes & Colours

Width	140mm, 150mm, 160mm
Vinyl Thickness	2mm
Aluminium Thickness	1.4mm, 1.6mm, 1.8mm, 2mm

EPDM Rubber Granules

ELJI International LLC is the only manufacturer of EPDM Rubber Granules in the UAE/Middle East Region.

EPDM Granules are widely used in running tracks, playground surfaces, flooring and a myriad of other applications since 2015. It is used as top layer and it provides visually appealing surface. We offer excellent product quality and consistency unparalleled EPDM Granules provides high UV Resistance and hence the colour does not fade as in case of SBR Granules, hence it makes a good option for outdoor flooring.

High Durability
Ultraviolet-Resistant
Anti-Slip
Waterproof
High Flexibility
Highly Resilient
Easy Installation
& Maintenance
Ageing Resistant

Size
1-4mm

Available Colors:



Sky Blue



Beige



Red



Dark Green



Dark Blue



Brown



Gray



Grass Green



Black



White

ERGO Rubber Granule Sheet

ERGO Rubber Granule Sheet provides variety of options for flooring and acoustic Purposes.

Recycled **ERGO** Rubber Granule sheet is used widely in theatres, museums, gymnasium etc. It is very easy to install and can be loosely laid, taped, nailed or stapled.

Gym Flooring

Relatively Inexpensive
Extremely durable
Support Heavy
Exercise Equipment
Easy installation

ERGO gives you an excellent option for gym flooring with its variety of types and color choices.

To top it off, most of our rubber gym flooring is made from recycled rubber, making it an environmental friendly and renewable flooring option.



Underlay

ERGO Rubber Granule Underlay provides best option for most of the flooring options be it residential or business areas. Recycled **ERGO** Rubber Granule Underlay provides optimal sound reduction and is used widely in theatres, museums, etc. This acoustical underlayment is a favorite and can be used under hardwoods and ceramics; that helps to suppress crack formation in your floor.

Sound Resistant
Fast & Cost Efficient
Installation
Acts as a crack
suppression membrane
Recyclable
Easy to clean



Acoustic

Relatively Inexpensive
Extremely durable
Support Heavy
Exercise Equipment
Easy installation

ERGO Rubber Granule Acoustic sheet offers high density, polymer based, soundproofing membrane and it can be used for sound proofing wall, ceilings, floors and fences.

ERGO Acoustic rubber sheet is a perfect fit for sound proofing your place. Due to its high quality and durability it can be used for multiple purposes like auditorium, Theatre, Malls, etc.



Rubber Tiles



AEROS Rubber Tiles

ELJI International's AEROS Rubber Tiles offer safe, beautiful and more comfortable walking areas compared to the hard surface concrete. Rubber Tiles are usually manufactured from virgin rubber or recycled rubber providing an option of "Green Earth"

Where can we use AEROS Rubber Tiles?

- ▶ The applications are limitless for ELJI Rubber Tiles. It can be used in Play Areas, School Yards, Parks, Jogging Tracks where safety of the children are the main concern.
- ▶ It can also be used for commercial areas like Malls, Pedestrian walkways, Gymnasium etc.
- ▶ Moreover, it is used in Outdoor applications like Race Course Passage, Stables etc.

Why AEROS Rubber Tiles?

1. Easy to install in any surfaces like stone, brick, asphalt, wood or concrete
2. Good sound insulation
3. Slip resistant (even when it is wet)
4. Good impact absorption
5. Requires less maintenance
6. Highly durable
7. Offer insulation from cold providing a healthy atmosphere
8. Water permeable
9. Cushion effect reduces risk of injuries

AEROS Tiles are
made with:
SBR
EPDM

Why EPDM? EPDM Rubber Tiles are

Stronger
UV resistant
More elastic
Long life
Long lasting colors



Installation

Rubber tiles can be laid on stone, brick, asphalt, wood or concrete thus making it highly versatile.

A good sub-base is required to keep the pavers and tiles stable on floor. Usually for outdoor applications, base used will be stone aggregate since, this is permeable, it lets out moisture and keep the tiles or pavers in good condition.

Maintenance

Rubber tiles are easy to be cleaned even by a simple sweep or by using water. Rubber provides the greatest advantage of quick replacement in any case of serious damages at minimal expense and complications compared to any other types of flooring.

Technical Specification:



Square Design

Product Code - ERT-S
Product Size - 600x600mm
Product Thickness - 25mm/35mm/45mm



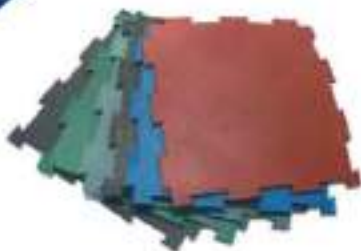
Dog Bone Design

Product Code - ERT-DB
Product Size - 200x160mm
Product Thickness - 25mm/35mm/45mm



ZigZag Design

Product Code - ERT-Z
Product Size - 230x125mm
Product Thickness - 25mm/35mm/45mm



Interlock Design

Product Code - ERT-IL
Product Size - 500x500mm
Product Thickness - 25mm/35mm/45mm



Puzzle Design

Product Code - ERT-JS
Product Size - 400x400mm
Product Thickness - 25mm/35mm/45mm



Hexagon Design

Product Code - ERT-H
Product Size - 300x260mm
Product Thickness - 25mm/35mm/45mm

Technical Specification

Elji Rubber Tiles

TEST	TEST METHOD	UNITS	RESULTS
Dimensional Stability	AS 2498.6	+/-1mm (in the range 23°C to 70°C)	<1.0MM
Duro - Shore Hardness	AS 1683.15.2	Shore A	60-70
Density	ISO 485 Method A	Kg/m ³	950-1020
Colour Fastness (UV resistant)	SAE J2020 QUV accelerated weathering	No chalkiness or colour change after 500 hours on accelerated UV test	No Colour change after 500 hours
Shear Strength	ISO 1827	MPa	2.56
Compression Strength @ 20%	ASTM D575	MPa	1.20
Compression Young's Modulus	ASTM D575	MPa	0.26
Tensile Strength (resistance to breaking)	ISO 39-2005	MPa	3.03
Elongation at Tear	AS 1683.12	%	50

This test report is applicable only to the sample tested.



Rubber Flooring

Where can we use ELJI Rubber Flooring ?

Elji Rubber Flooring is a very popular choice for leisure, commercial and high traffic environments due to its range of colors, patterns and textures available. Our floorings combined with the benefits of design, safety and technology provides an excellent choice for all flooring applications. Elji Rubber Flooring is a continuous safety surface, made from bonded EPDM rubber and it is often associated with play ground surfaces as it provides a safe, cushioned surface ideal for preventing serious injury to children in an event of fall.

Areas of Application:

- **Parks**
- **Swimming Pool Decks**
- **Stables**
- **Golf Course Walkway**
- **Residential Balconies**
- **Courtyards etc**

They come in a wide variety of color schemes and finishes: the surface is so versatile that it can even have logos, shapes and design installed.

Rubber Flooring



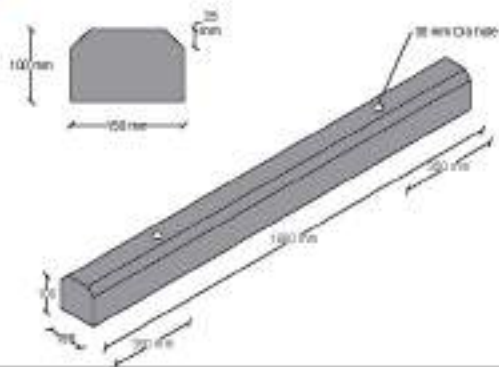
PRECAST CONCRETE WHEEL STOPPERS

ELJI International LLC Manufacture's high quality precast concrete wheel stoppers. These Standard Stoppers are a Safety measure that helps in minimizing the risk of damage to the vehicles/facility. Our Wheels stoppers are reinforced with metal bars inside for additional strength. These Stoppers also known as Curb stops, Parking chocks and bumper blocks. Available Sizes/Shapes are:

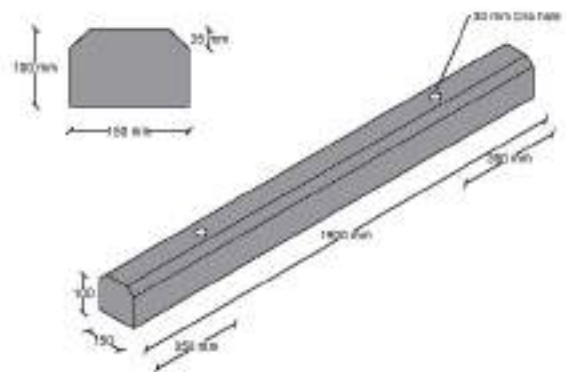


SI No	Width	Height	Length
1	150 mm	100 mm	900 mm
2	150 mm	100 mm	1800 mm
3	150 mm	100 mm	1900 mm
4	150 mm	100 mm	2000 mm
5	150 mm	100 mm	2080 mm
6	150 mm	120 mm	600 mm
7	150 mm	120 mm	1600 mm
8	150 mm	120 mm	1900 mm
9	150 mm	150 mm	1800 mm
10	150 mm	150 mm	1950 mm
11	190 mm	90 mm	2000 mm
12	200 mm	120 mm	2000 mm
13	200 mm	100 mm	2000 mm
14	225 mm	175 mm	2000 mm

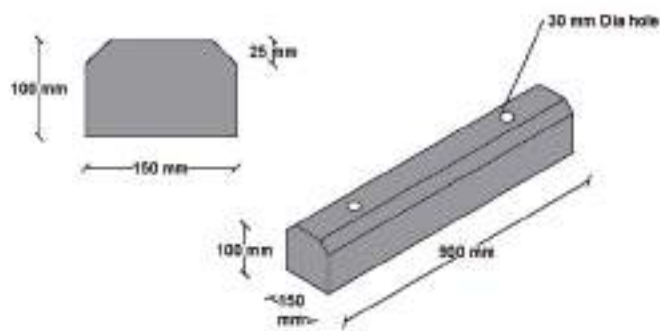
150 x 100 x 1800 mm



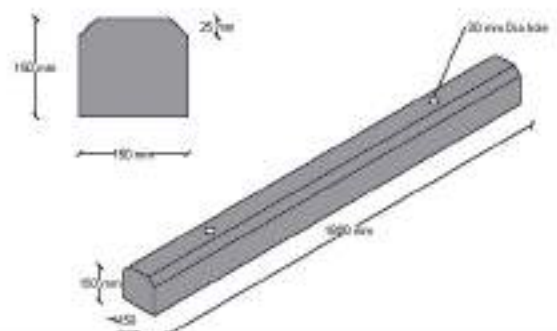
150 x 100 x 1900 mm



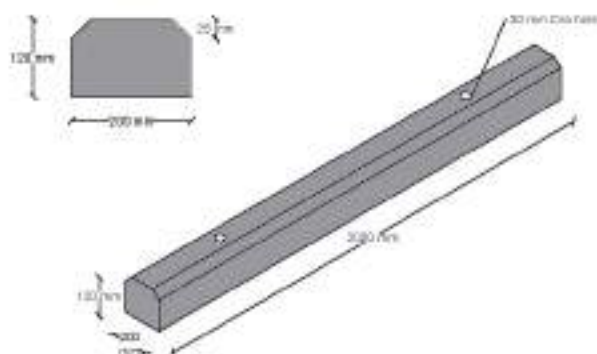
150 x 100 x 900 mm



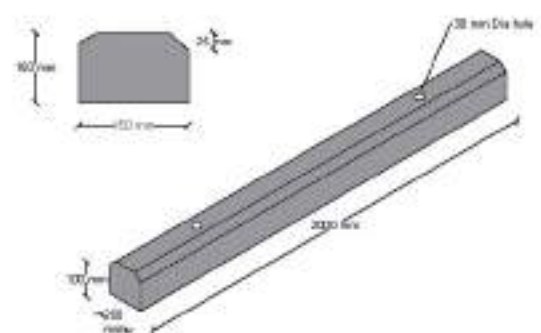
150 x 150 x 1800 mm



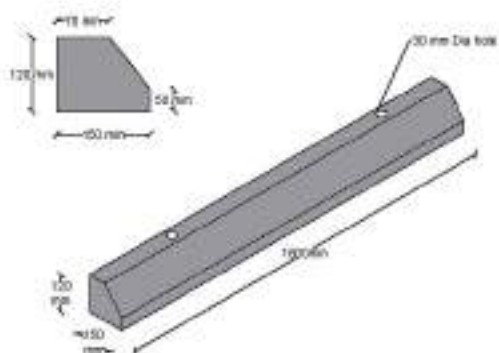
200 x 120 x 2000 mm



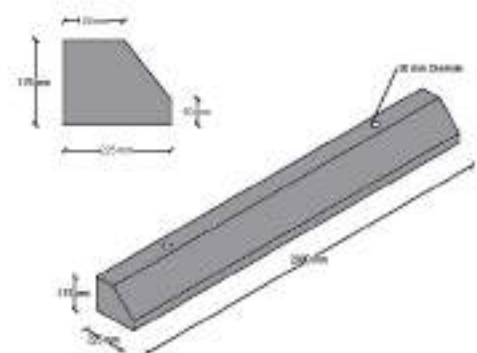
150 x 100 x 2000 mm

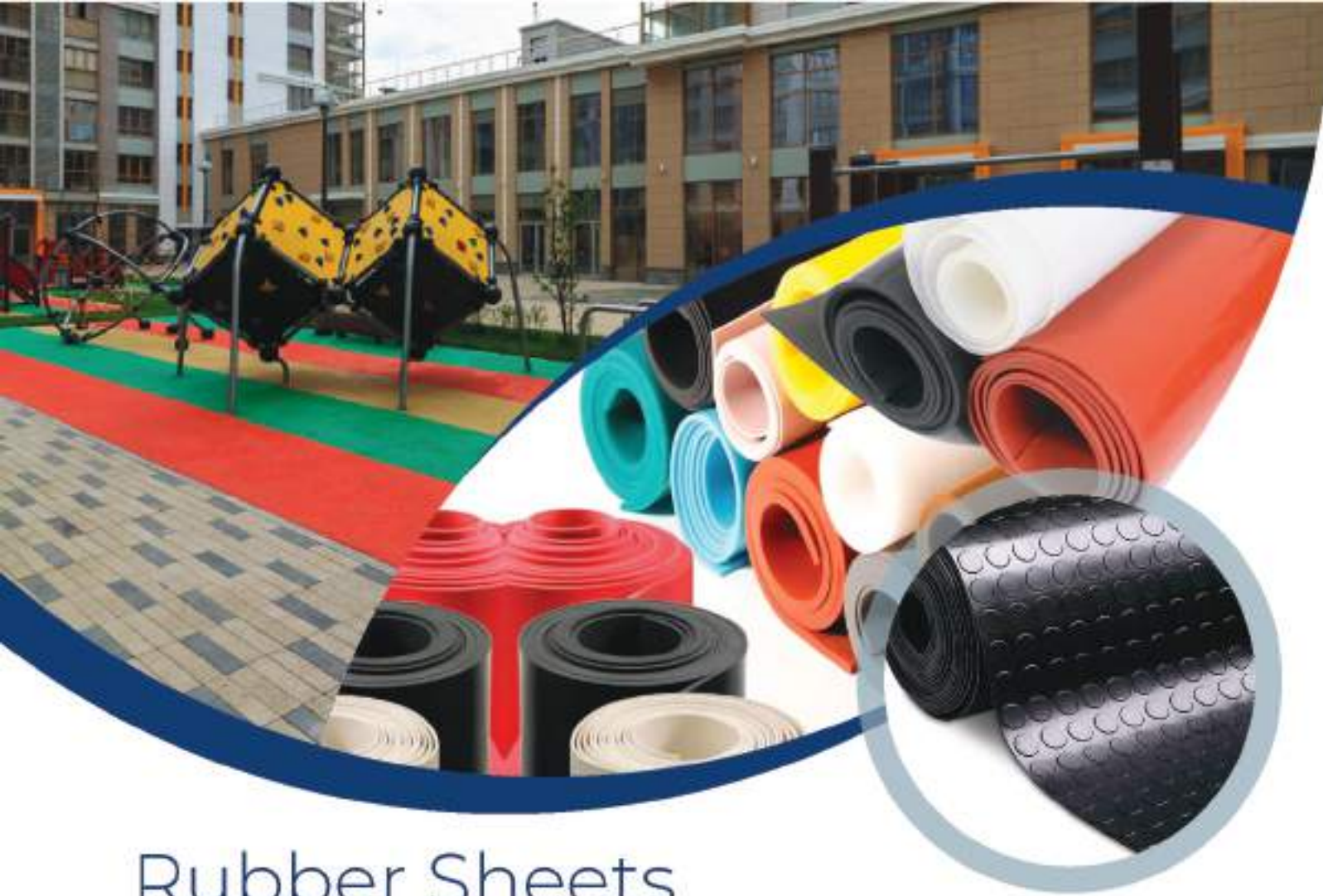


150 x 120 x 1600 mm



225 x 175 x 2000 mm





Rubber Sheets

We supply comprehensive range of rubber sheets, which are used in packing, mining and other industrial purposes. Rubber Sheets are available in black or different colors. The surface finish will be varied such as smooth, rib or coin. It is available from 0.5mm to 50mm thickness with width up to 1.5m. It withstands temperature ranging from - 40 °C to + 400 °C.

Rubber Sheets are available in the following materials.

- ▶ Natural Rubber
- ▶ SBR
- ▶ Neoprene
- ▶ Hypalon
- ▶ EPDM
- ▶ Viton
- ▶ Silicon

Available Sizes:-

Thickness : 1mm, 1.5mm, 2mm, 3mm, 4mm, 5mm, 6mm, 8mm, 10mm, 12mm, 15mm, 20mm, 25 mm

Width : 200 mm, 400 mm, 500 mm, 1 mtr , 1.2 mtr

Length : 10 mtr

Electrical Insulation Mat

Electrical Insulation Sheet is used when operating switch boards, live LV-HV switch gear, substations, transformers and electrical work stations. Electrical Insulating rubber mats protect humans against electrical shock by absorbing the power or other electrical leak that result from a short act.

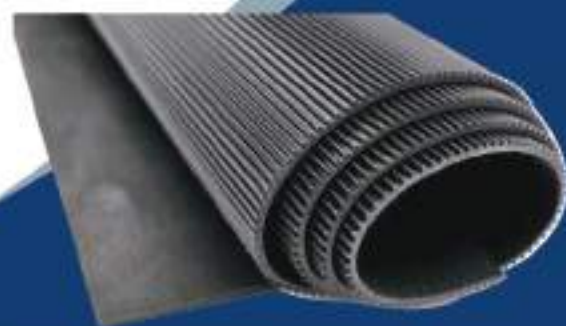
Available Sizes:

- ▶ 6mm Thick x 1.2 mtr Wide x 10 mtr Long
- ▶ 8 mm Thick x 1.2 mtr Wide x 10 mtr Long
- ▶ 10 mm Thick x 1.2 mtr Wide x 10 mtr Long

Class	Stock Thickness	Roll Size	Max. Use Voltage
3	6mm	1.2m x 10m	16000 Volts
3	6mm	1.2m x 10m	30000 Volts
3	10mm	1m x 10m	36000 Volts

Key Features

- ▶ Anti-slip finish. Conforming to slip resistant test
- ▶ Resistant to acid, oil and low temperatures
- ▶ Ozone, UV and weather resistant
- ▶ Permanent marking – durable and un-erasable
- ▶ Fully traceable supply
- ▶ Low maintenance
- ▶ Highly durable & quality rubber compound





ELJI International LLC
الجي انترناشونال ذم م

- ❖ MOULDED & EXTRUDED PRODUCTS
- ❖ BUILDING PROTECTION SYSTEMS
- ❖ RUBBER TILES & FLOORING



scan for location



Al Ghail, RAK, United Arab Emirates,
Corporate Office in Sharjah,



Tel: +971 6 5752 180
Fax: +971 6 5752190



info@eljirubber.com
www.rubbertilesdubai.com

Members of **HAPPY HOLDINGS**

AL INTISHAR
Insulations
www.insulationdubai.com

GREENLAND FARM LLC
www.lvefishuae.com

GREENOPONICS
www.greenoponics.com