



Skill to Chill

شركة تشيلر للخدمات الفنية ذ.م.م
Chiller Technical Services L.L.C

*Manufacturer | Supply | Installation | Maintenance
Overhauling | AMC | Rental Etc... Of cooling equipments..*



Dr.Chiller

Cooling Equipments

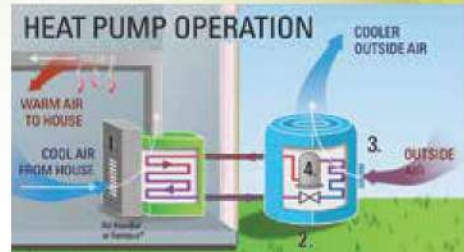


Tel: 06 743 4537 | Mob: 05 567 00 789 | 058 236 5969
info@drchiller.com | coolbyatm@gmail.com
www.drchiller.com



Products

1. Water Chillers, Coolers & Heat Pumps



2. Coil, Cold Rooms & Ice Block Machines



3. Heat Exchangers & Cooling Towers



4. A/C Units & Air Curtains



Services

1. A/C, Chiller & Genset Rentals

We provide temporary cooling and power solutions in the UAE for various needs, including industrial processes, events, and emergency situations. We offer a range of solutions, from Split AC free standing type, AHU, package A/C units and industrial chillers to various capacities of power generators, often including 24/7 support and flexible rental terms.



2. Chilled Water Pipeline & Flushing

Flushing removes debris, dirt, and contaminants from the pipeline, ensuring efficient system operation and preventing damage.

- Chemical flushing: Using chemicals to dissolve and remove contaminants.
 - Air purging: Using compressed air to remove debris and water.
 - Hydrostatic testing: Filling the pipeline with water and testing for leaks.
- Benefits: Regular flushing helps maintain system efficiency, reduces energy consumption, and extends equipment lifespan.



3. A/C, Chiller & Coldroom Maintenance

A/C, chiller, and coldroom maintenance involves regular inspections and cleaning of filters, coils, and electrical components to ensure optimal performance and prevent breakdowns. Routine checks for refrigerant leaks, proper temperature and pressure, and clean airflow are crucial, while annual deep cleaning and component replacement are also necessary.



4. Coil Manufacturing & Replacements

Condenser coil manufacturing creates custom, high-efficiency, durable coils using advanced technology and quality materials like copper and aluminum for HVAC and industrial applications. Replacements involve professional services to remove old coils and install new, built-to-fit, custom coils, often including testing, commissioning, and on-site delivery with lifting equipment.



5. Overhauling & Winding

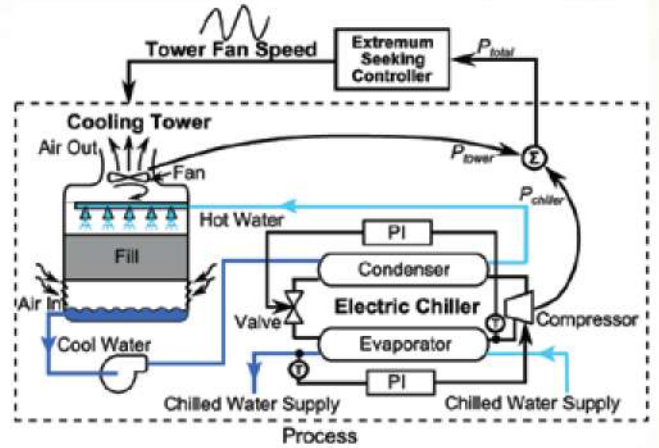
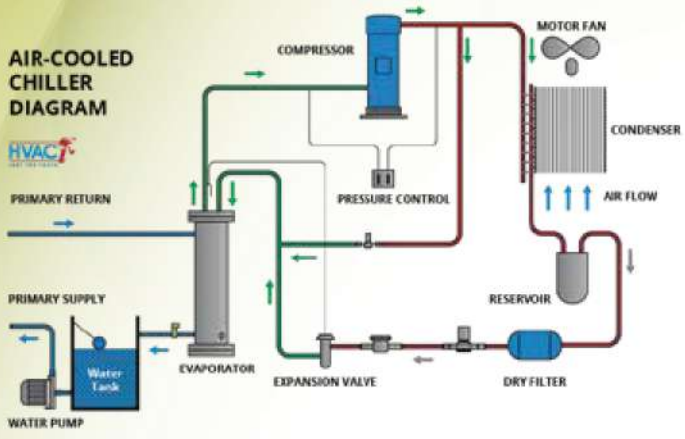
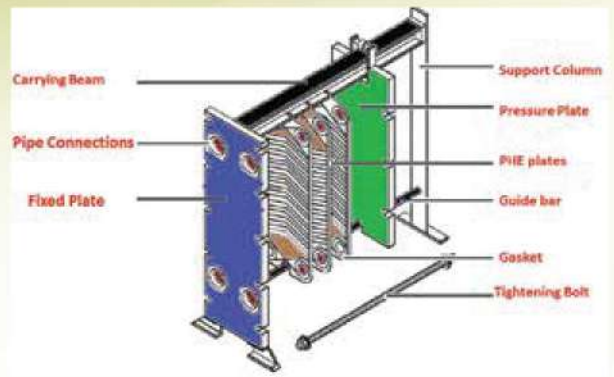
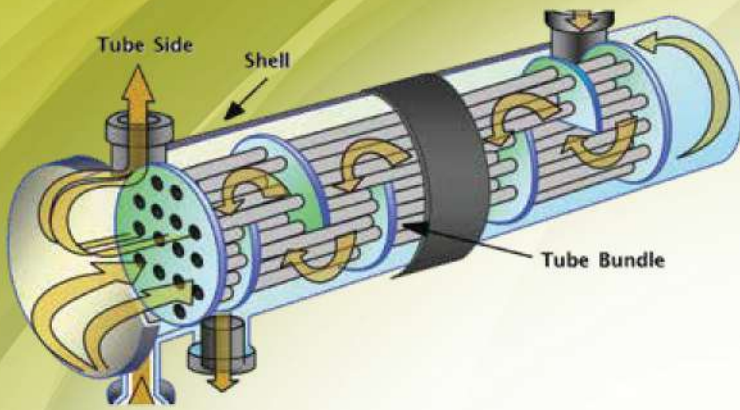
Compressor overhauling and winding are critical maintenance procedures to ensure optimal performance and extend the lifespan of compressors. Overhauling involves disassembling, inspecting, and repairing or replacing worn-out parts to restore the compressor's performance and efficiency. Winding: Improve the compressor's efficiency and reliability, Reduce energy consumption: Minimize energy losses and optimize motor performance, Extend motor lifespan: Prolong the motor's lifespan and delay replacement.



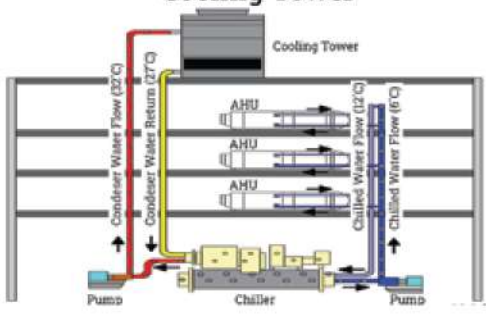
6. AMC

Air Conditioning and Chiller Annual Maintenance Contract, is a service agreement with a company that performs regular maintenance on your system for a fixed annual fee. These contracts typically include scheduled preventive maintenance, cleaning, inspections, and minor repairs, with the goals of extending the system's lifespan, improving efficiency, reducing energy bills, and preventing major breakdowns.





Cooling Tower



WATER TANK CAPACITY	CHILLER SELECTION
UP TO 800 GL.	2 TON
900 - 1500 GL.	3 TON
1600 - 2000 GL.	5 TON



Tel: 06 743 4537 | Mob: 05 567 00 789 | 058 236 5969
 Ajman Ind # 2, UAE.
 info@drchiller.com | coolbyatm@gmail.com
 www.drchiller.com

