

WELCOME
TO A
SECURE WORLD



TABLE OF CONTENTS

• Company Profile	1
• Security Doors	
• Defender Plus Strong Room Door	2
• Record Room Door	4
• Sentinel Door.....	6
• Safe Deposit Lockers	
• Safe Deposit Locker	8
• Flush Door Locker	10
• Fire & Burglary Resistant Safes	
• Defender Supreme Safes.....	12
• Euro Cash	14
• Matrix TL 15 X 6 Safes.....	16
• Matrix Safes	18
• Depository Safes	
• Matrix Depository Safe	20
• D'tel Safes	21
• Eurocash Deposit System - The Business Series	22
• Cash Collect & Cash Deposit Safe	24
• D' Cab.....	25
• Fire Resistant Safes	
• Fire Resistant Safes	26
• Fire Resistant Filing Cabinets.....	28
• Fire Resistant Record Cabinet	30
• Media Safes	32
• Home Safes	
• Euro Lite Safes	34
• Paramount Safes.....	36
• Wardrobe Safes	
• Rhino Safes	38
• Premium Coffe & Taurus	39
• E-swipe & E-laptop	40
• Ritz & Stilo	41
• Cash Box & Esquire	42



Greetings from the house of Godrej!

Godrej is one of the largest privately owned business houses in India, having an extremely diversified product portfolio ranging from animal feed to rocket engines.

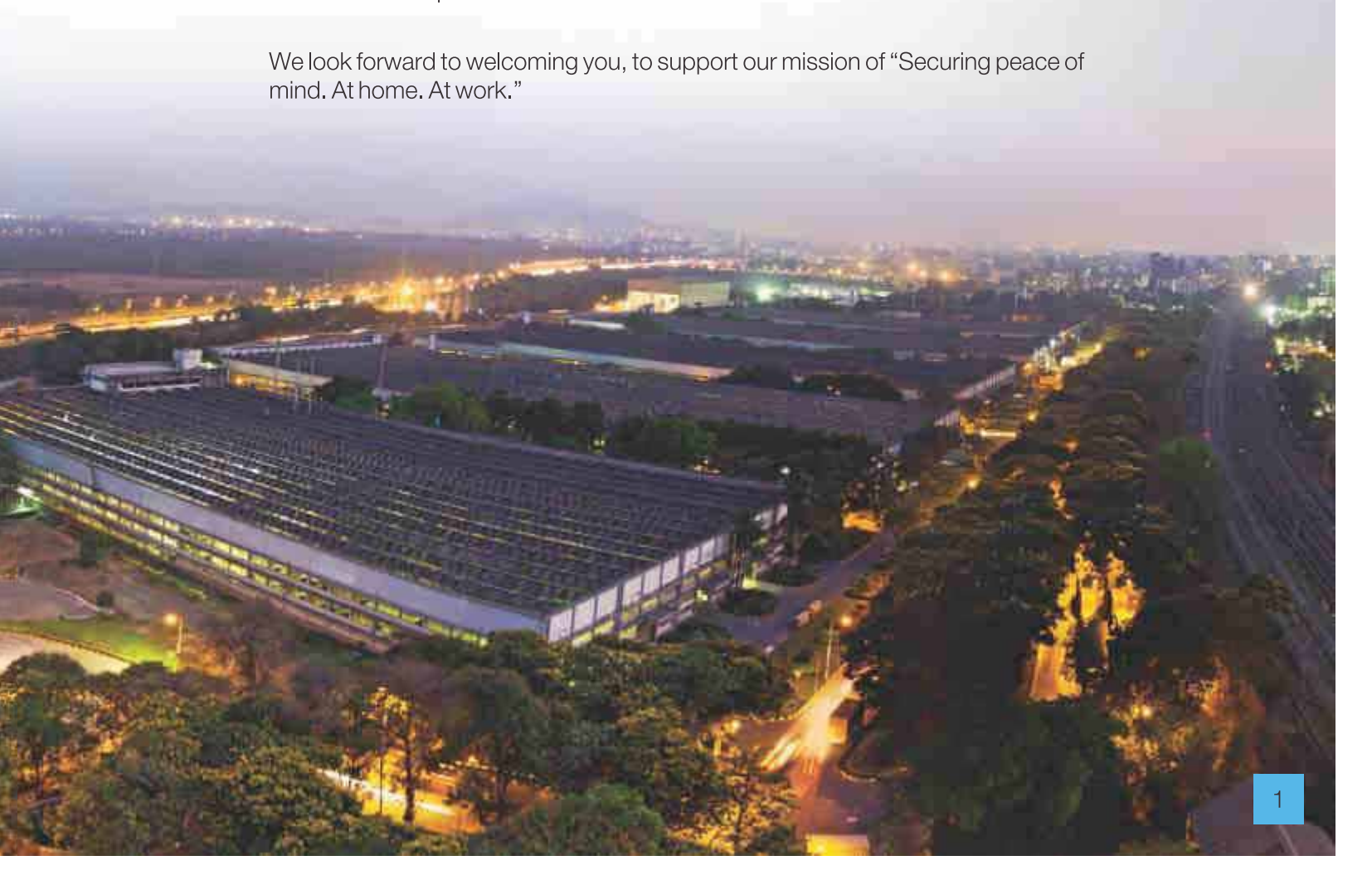
Godrej Security Solutions, a part of the Godrej conglomerate, is one of the largest & finest manufacturers of Physical Security Products in Asia.

We are amongst the few Security equipment manufacturers to have our products certified & listed, both as per the European & American standards & have the distinction of achieving the highest levels of fire & burglary listings as per both standards. Our products are tested to stringent levels at leading testing laboratories of the country & the Underwriters' Laboratory - USA, SP Laboratory - Sweden; VdS - Germany & BRE - UK.

Godrej Security Solutions has also been accredited with the Integrated Management System (IMS) certification, which encompasses the An ISO 9001:2008 & ISO 14001:2004. BS OHSAS 18001:2007 (Operational Health & Safety Assessment Series) certifications - thus committing delivery of standard products, under pre-defined quality & safety procedures, which are being continually monitored and assessed by internal & external audits.

Apart from quality products, Godrej as a business house is also renowned for its ethical business practices and its concern for environment & social welfare.

We look forward to welcoming you, to support our mission of "Securing peace of mind. At home. At work."



DEFENDER PLUS STRONG ROOM DOOR



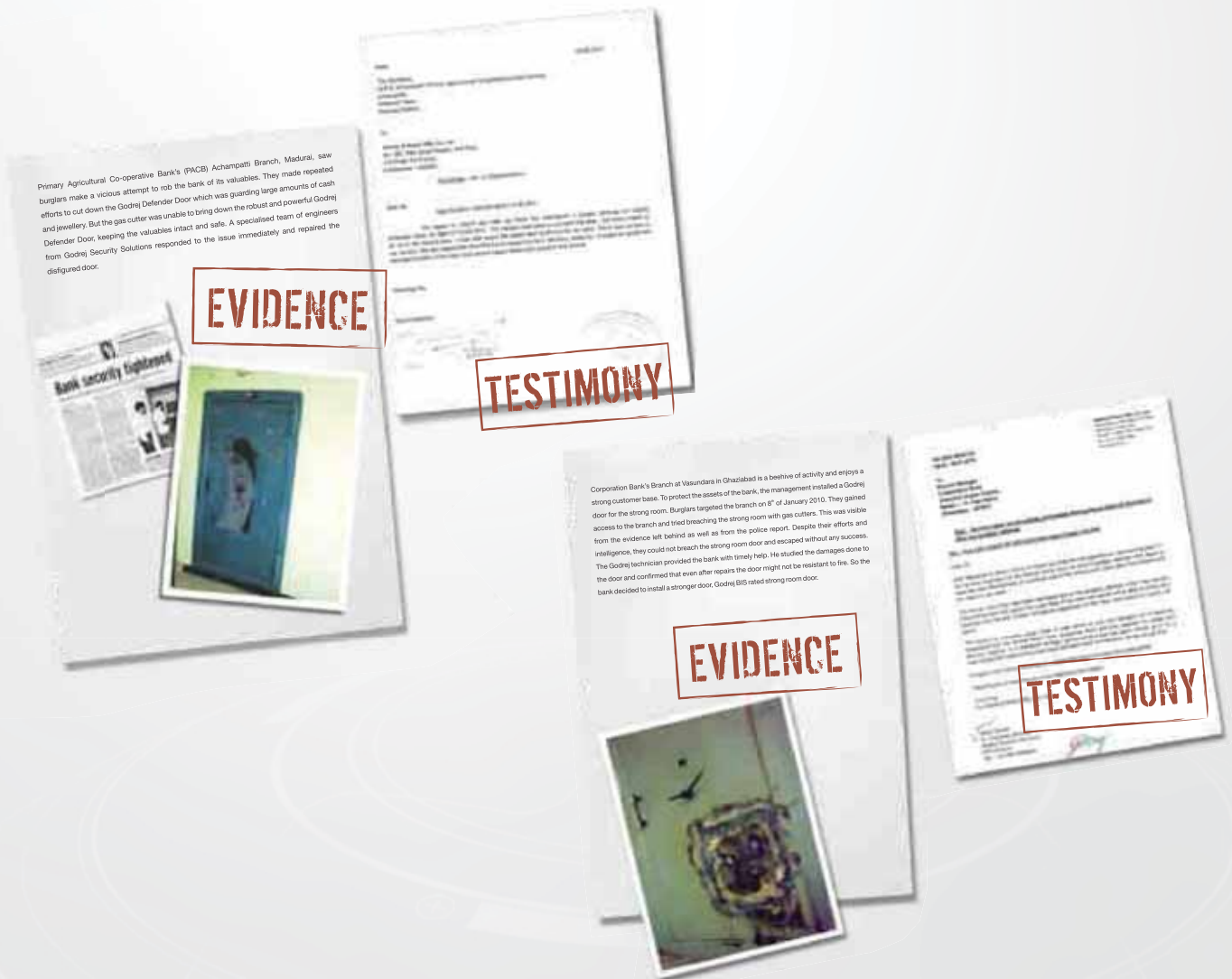
Features

- Designed for banks and financial institutions to provide high security to valuables
- Wide variety of doors available to cater to the needs of Banking, Financial and Jewellery Segment as well as Private Vaults
- Class I (TRTL 15) Strong Room Doors designed & manufactured as per Bureau of India Standards
- Class II (TRTL 30) Strong Room Doors designed & manufactured as per Bureau of India Standards
- High Security Doors for larger Vaults and Currency Chests (for security reasons details available on request)
- The doors are provided with single piece frame which has a special Solid Jamb bolted to the frame
- All the doors have two in-built dual control key locks. Optional combination locks and time locks can also be provided
- The doors are provided with an automatic relocking device which is activated when there is an attack on the door

Specifications

Defender Plus Strong Room Door		Overall H x W (in mm / inches)	Clear opening H x W (in mm / inches)	Thickness of door with lock case (in mm / inches)	Recommended wall thickness (in mm / inches)	Weight in (kg / lbs)
Main Door	Class-I	2178 x 1220 85¾ x 48	2003 x 910 78¾ x 36	167 6½	305-380 12-15	885 1951
	Class-II	2178 x 1200 85¾ x 47¼	2003 x 910 78¾ x 35¾	187 7¾	380-460 15-18½	985 2171½
Emergency Door	Class-I	1034 x 1107 40½ x 43¾	764 x 757 30½ x 29¾	167 6¾	305-380 12-15½	480 1058¾
	Class-II	1034 x 1107 40½ x 43¾	764 x 757 30½ x 29¾	187 7¾	380-460 15-18½	560 1234¾

All weights and sizes are approximate. Tolerances - Weight ± 10%, Dimensions ± 5%



RECORD ROOM DOOR



Features

- Records are vital to any business, large or small. As they are normally generated in large volumes, they need to be stored in a safe and secure room. Godrej's fire resistant Record Room Door, secures the room in which the records are placed as it gives protection not only from fire but also provides security against burglary.
- The Door Slab: A fully welded multi corner bend construction without a single rivet makes the body integral. Godrej Record Room Doors are armoured with a specially formulated Double Duty Barrier. In addition to this it is reinforced with special hammer and drill resistant alloy plates. This dual protection gives the door immense protection from attacks of sledgehammers, power drills and chisels.
- Door frame: The door frame is one piece; rivet less, fully welded frame construction, which is sturdier and more rigid under most trying conditions. Also it is more attractive in appearance and easy to clean. The door frame is formed in to a 'Box-Jamb', which provides a rebate for the bolts that provides enhanced protection against attacks of dislodgement including hydraulic jack attack.

Locking Mechanism

- Two, superior quality 8-levers, dual control, high precision, locks made of brass body as well as brass levers actuated by phosphor bronze springs
- Highly sensitive relocking device provided to the bottom lock prevents burglary by instantly deadlocking the door, if the locks are tampered with either mechanically or by using liquid explosives
- The door can be fitted with a 3-wheel UL listed Mechanical Combination Lock which gives nearly one million combinations for setting and resetting
- Time Locks can be fitted if mentioned at the time of placing the order
- Other lock options include Electronic Combination Lock and Biometric Lock

Specifications

Suitable for wall thickness	230-305 (mm) 9-12 (inches)
Overall size (front frame) H x W	2065 x 1020 (mm) 81 $\frac{1}{2}$ x 40 $\frac{1}{8}$ inches
Overall size (rear frame) H x W	1985 x 940 (mm) 78 $\frac{1}{2}$ x 37 inches
Clear opening	1880 x 770 (mm) 74 x 30 $\frac{5}{8}$ inches
Thickness of door with lock case	128 (mm) 5 inches
Thickness of door slab	10 (mm) $\frac{3}{8}$ inches
Thickness of lock & vital part	62 (mm) 2 $\frac{1}{2}$ inches
Net weight with grill gate	530 (kg) 1168 $\frac{4}{5}$ (lbs)

All weights and sizes are approximate. Tolerances - Weight \pm 10%, Dimensions \pm 5%

SENTINEL DOOR



Features

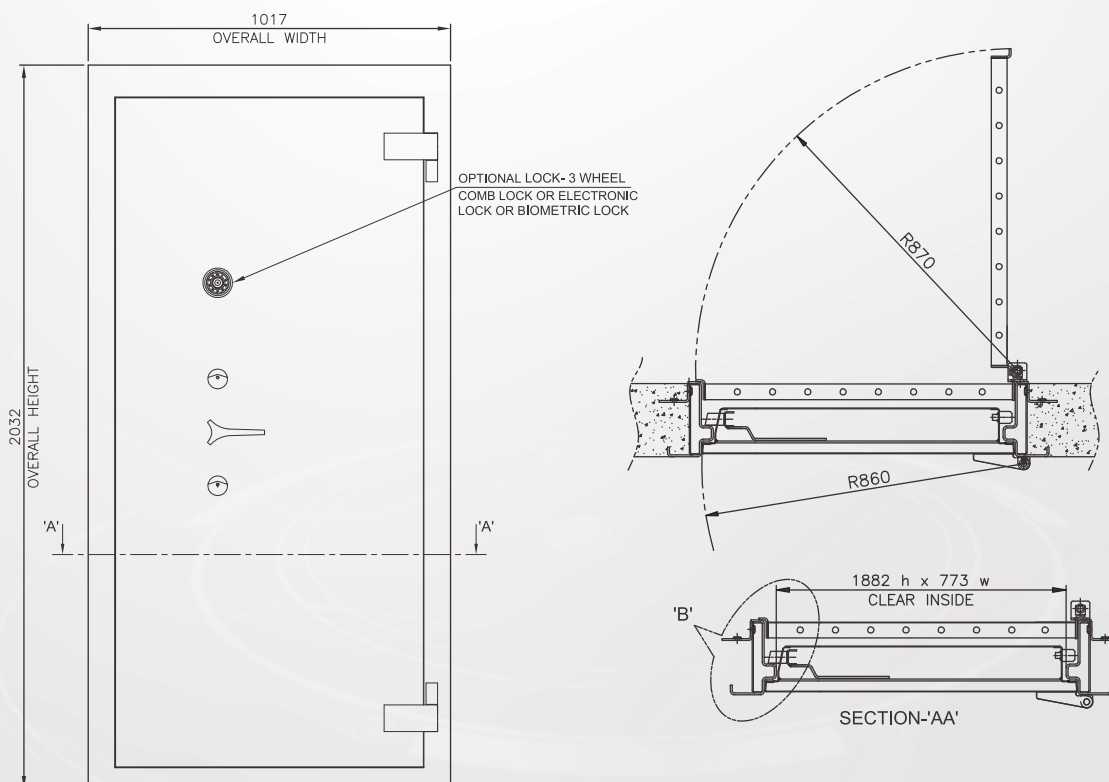
- **Protection Against Fire**
Godrej Double Duty Barrier material provides reliable protection against fire.
- **Protection Against Burglary**
In addition to Double Duty Barrier material, the locking area has been given added security with an armour plate.
- **Sentinel Door Slab**
The thickness of the overall composite slab is 25 mm made of a layer of flame and burglar resistant material which provides reasonable protection against fire and attacks of drill. This composite layer of Godrej Double Duty Barrier is a proprietary material developed by Godrej's R&D team. With an overall thickness of 120 mm, this special protective layer is over the locks and other vital parts of the door.
- **Door Frame**
Tested quality 5 mm thick M.S. plate is used for fabricating the one piece bent angle door frame. For strength and rigidity, the door frame is suitably reinforced along the height and width. A special jamb is bolted to the frame.
- **Locking System**
Two numbers superior quality dual control high precision 8-lever locks made of brass levers and actuated by phosphor bronze springs.
The locks are further protected by highly sensitive spring loaded re-lockers on both the locks which ensures deadlocking in the event of an attack made on the locks. The entire locking area is protected by an armour plate which offers high resistance to drill attacks.
Optionally we can also provide a UL listed 4 - Wheel Mechanical Combination Lock, Electronic Lock or Biometric Lock.
- **Automatic Re-locking Devices**
This feature offers additional security, in case an attempt is made on the locks. This sensitive device gets actuated automatically and the door is deadlocked which cannot be opened.

- Extra Tough Bolt Work Mechanism**
 To secure the door, 4 active shooting bolts (each of 32 mm) are provided on the front and a full length rebate bar on the rear side which slides behind the tough "solid-jamb" rebate. The bolts can be activated simultaneously by the movement of the handle.
- Impact Resisting Shaft for Handle**
 Attractively designed, convenient to use handles are fitted on an impact resisting shaft which is meant to defeat attempts to hammer it.
- Grille Gate**
 A well-designed grille gate is provided, which is secured with a Godrej high precision 8-lever lock, operable from inside as well as outside.

Need for Sentinel Doors

- Bankers and Businessmen today are facing the ever increasing problem of fire & burglar security. This need is often fulfilled with a locally fabricated steel door. These doors are highly questionable when it comes to performance and consistency and have often failed under attack or fire. However, due to site related issues large and heavy Vault Room Doors cannot be used. This problem has been efficiently tackled by Godrej, with their experience of over a 100 years in the security field.
- Godrej has introduced a new range of Security Doors to help banks, businesses and financial institutions to meet their base level security requirements. The Sentinel Doors recommended for small to medium size installations requiring safety.

Specifications



SAFE DEPOSIT LOCKER



Features

- Designed for banks and hotels to provide secure storage of their valuables
- The lockers are tested to the most stringent specifications in aspects of security, reliability, strength, and aesthetics
- Both the main lock and renter's personal lock are totally protected by solid steel door
- All the lockers are fitted with 7-lever high precision, unpickable key locks and phosphor bronze springs are made inhouse
- Available in 10 different types of basic locker units, with over 1600 different configurations
- Sleepers are optional to raise the locker levels & can be purchased seperately

Specifications

Locker Type			Height	Width	Depth
A	A	mm inches	125 5	175 6¾	492 19¾
B	B	mm inches	159 6¼	210 8¼	492 19¾
2A	C	mm inches	125 5	352 13¾	492 19¾
D	D	mm inches	189 7½	263 10¼	492 19¾
2B	E	mm inches	159 6¼	424 16¾	492 19¾
4A	F	mm inches	278 11	352 13¾	492 19¾
2D	G	mm inches	189 7½	530 20¼	492 19¾
4B	H	mm inches	321 12¾	424 16¾	492 19¾
2B1	H1	mm inches	321 12¾	210 8¼	492 19¾
4D	L	mm inches	404 16	530 20¼	492 19¾
4D1	L2	mm inches	385 15	529 20¼	492 19¾

All weights and sizes are approximate. Tolerances - Weight ± 10%, Dimensions ± 5%

Locker Cabinets Models and Configuration

Model of Cabinet	A	A	2A	D	2B	4A	2D	4B	2B1	4D	4D1	Total No. of lockers	Net Wt. (approx.)	
	A	A	C	D	E	F	G	H	H1	L1	L2		kgs	lbs
1	66		6			3						75	650	1532
1A	90											90	680	1576
2A		46			2			2	1			51	585	1334
2B		60										60	655	1444
3				28			2			2		32	500	1179
4											10	10	460	1074

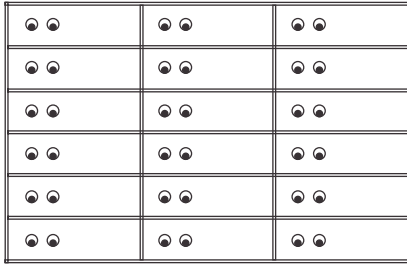
All weights and sizes are approximate. Tolerances - Weight ± 10%, Dimensions ± 5%

FLUSH DOOR LOCKER

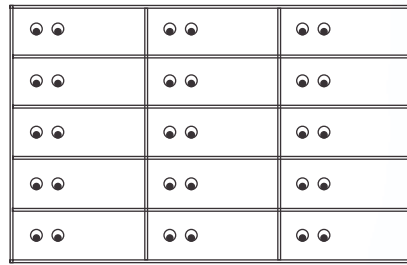


Features

- Locker units fabricated from plates of prime quality tested steel
- Body of 5 mm and door of 5 mm steel for enhanced protection
- State-of-the-art twelve tank anti-corrosion treatment for all steel components finished with high quality, oven baked enamel paint ensuring rust resistance for years of use
- Stainless steel on front & sides providing a contemporary design
- Computerised dimple keys provided on locks which cannot be duplicated by local locksmiths
- Available in 9 sizes to suit every customer requirement
- Modular design giving option of different sizes on a single unit
- Locker inserts for ease in storage and retrieval can be provided as an accessory to the locker units at an additional cost



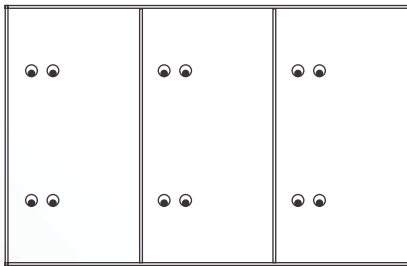
U 4 Lockers



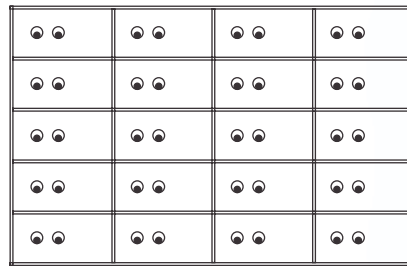
U 5 Lockers



U 6 Lockers



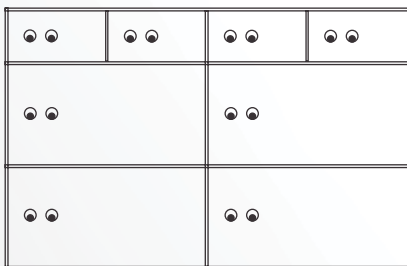
U 7 Lockers



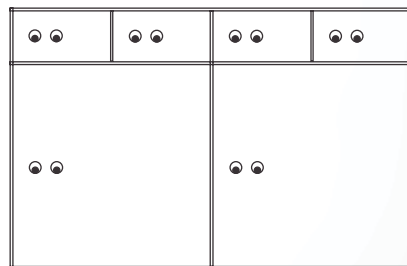
U 9 Lockers



U 9 / U 10 Lockers



U 9 / U 11 Lockers



U 9 / U 12 Lockers



U 14 Lockers

Specifications

Locker	Height	Width	Depth
U4	79	232	586
U5	96	232	586
U6	122	232	586
U7	251	232	586
U9	96	164	586
U10	199	164	586
U11	199	368	586
U12	406	368	586
U14	251	368	586
Corniche	40	832	600
Inspection Tray	50	832	600
Plinth	40	832	600

All weights and sizes are approximate. Tolerances - Weight $\pm 10\%$, Dimensions $\pm 5\%$

DEFENDER SUPREME SAFES

Mark of Quality:



Listed



Features

- Designed to resist the latest burglary technology, Defender Plus Safes are the strongest fire & burglary resistant safes in its category
- TL - 30 Certification by Underwriters' Laboratory, USA is testimony to the fact that the safe has withstood rigorous attempts made during testing
- The overall thickness on all five sides is approximately 4" which is almost equal to 25 mm steel
- Every safe comes with a key lock & combination lock
- Option of Time Lock can also be provided for this safe
- Wide range to suit every need
- Colour options available

Specifications

Model No.	External Dimensions H x W x D (mm / inches)	Internal Dimensions H x W x D (mm / inches)	Weight w/o Packaging (kg / lbs)	Weight with Packaging (kg / lbs)	Volume (Ltrs. / Cu ft.)
26	660 x 530 x 575 26 x 20 ⁷ / ₈ x 22 ⁵ / ₈	460 x 330 x 295 18 ¹ / ₂ x 13 x 11 ⁵ / ₈	395 870 ⁵ / ₈	408 898	44.78 1.58
31	790 x 635 x 675 31 ¹ / ₂ x 25 x 26 ⁷ / ₈	590 x 435 x 395 23 ³ / ₈ x 17 ¹ / ₂ x 15 ⁵ / ₈	600 1320	618 1360	101.37 3.58
41	1040 x 635 x 675 41 x 25 x 26 ⁷ / ₈	840 x 435 x 395 33 ¹ / ₂ x 17 ¹ / ₂ x 15 ⁵ / ₈	760 1672	778 1712	144.33 5.09
49	1245 x 785 x 725 49 x 30 ³ / ₈ x 28 ⁵ / ₈	1045 x 585 x 440 41 ¹ / ₂ x 23 x 17 ¹ / ₂	1065 2343	1174 2583	268.93 9.49
61 SD	1550 x 785 x 725 61 x 30 ³ / ₈ x 28 ⁵ / ₈	1350 x 585 x 440 53 ¹ / ₂ x 23 x 17 ¹ / ₂	1300 2860	1390 3058	347.48 12.27
*61 DD	1550 x 1090 x 725 61 x 42 ³ / ₈ x 28 ⁵ / ₈	1350 x 890 x 440 53 ¹ / ₂ x 35 x 17 ¹ / ₂	1630 3586	1748 3846	528.66 18.66
81	2045 x 950 x 880 80 ¹ / ₂ x 37 ³ / ₈ x 34 ³ / ₈	1845 x 750 x 595 72 ³ / ₈ x 29 ³ / ₈ x 23 ³ / ₈	2200 4840	2700 5940	823.33 29.07

All weights and sizes are approximate. Tolerances - Weight ± 10%, Dimensions ± 5%
 *61DD is not rated as per UL and is available in standard Defender Plus Safe model.



EURO CASH



Features

- Tested & certified as per - EN1143 -1/ Grade 1, EN1143-1 / Grade 2, EN1143-1 / Grade 3
- Tested & certified as per NT 017 - 60 P
- Lightweight design and construction
- Fitted with Kaba Mauer double bitted, high security
- key lock certified as per EN1300 Standards
- Grade One: Overnight cash cover € 20,000
Grade Two: Overnight cash cover € 50,000
Grade Three: Overnight cash cover € 100,000
- Lock options:
Mechanical combination locking
Digital combination locking



Specifications



Grade - 1	External H x W x D (mm)	Internal H x W x D (mm)	Volume in Ltrs.	Weight in kgs.	Adjustable Shelves
Model A 14	445 x 455 x 465	355 x 355 x 275	35	115	1
Model A 19	585 x 405 x 465	485 x 305 x 275	40	130	1
Model A 23	685 x 520 x 615	585 x 420 x 425	104	204	2
Model A 28	800 x 550 x 640	700 x 450 x 450	141.7	239	2
Model A 35	1000 x 610 x 715	900 x 510 x 525	241	325	3
Model A 43	1200 x 610 x 715	1100 x 510 x 525	295	372	3
Model A 51	1400 x 610 x 715	1300 x 510 x 525	348	403	3
Model A 59	1600 x 610 x 520	1500 x 510 x 330	252	394	3



Grade - 2	External H x W x D (mm)	Internal H x W x D (mm)	Volume in Ltrs.	Weight in kgs.	Adjustable Shelves
Model D14	485 x 485 x 498	355 x 355 x 275	35	173	1
Model D19	615 x 435 x 498	485 x 305 x 275	40.7	185	1
Model D23	715 x 550 x 648	585 x 420 x 425	104	285	2
Model D28	830 x 580 x 673	700 x 450 x 450	141.7	337	2
Model D35	1030 x 640 x 748	900 x 510 x 525	241	453	3
Model D43	1230 x 640 x 748	1100 x 510 x 525	295	530	3
Model D51	1430 x 640 x 748	1300 x 510 x 525	348	600	3
Model D63	1730 x 800 x 693	1600 x 670 x 470	504	768	3



Grade - 3	External H x W x D (mm)	Internal H x W x D (mm)	Volume in Ltrs.	Weight in kgs.	Adjustable Shelves
Model T 14	485 x 485 x 498	355 x 355 x 275	35	178	1
Model T 19	615 x 435 x 498	485 x 305 x 275	40.7	190	1
Model T 23	715 x 550 x 648	585 x 420 x 425	104	290	2
Model T 28	830 x 580 x 673	700 x 450 x 450	141.7	345	2
Model T 35	1030 x 640 x 748	900 x 510 x 525	241	470	3
Model T 43	1230 x 640 x 748	1100 x 510 x 525	295	560	3
Model T 51	1430 x 640 x 748	1300 x 510 x 525	348	640	3
Model T 63	1730 x 800 x 693	1600 x 670 x 470	504	825	3

All weights and sizes are approximate. Tolerances - Weight ± 10%, Dimensions ± 5%

(Also available in Grade 4, 5 & 6)

MATRIX TL 15 X 6 SAFES

Mark of Quality:



Listed



Features

- The Mid-Range of fire & burglary resistant safes from Godrej designed to protect jewellery and valuables
- High quality safe that provides security to apartments, private homes, businesses and executive offices
- Comes with an option of combination / electronic / keylock
- Provided with a glass plate relocker
- TL - 15 equivalent construction (under testing)
- Factory tested for 60 minutes of fire endurance

Specifications

Model No.	Dimension in MM		Volume in Ltrs.	Shooting Bolts Live + Dead	Adjustable Shelves	Weight in kgs. For TL 15 x 6
	External	Internal				
	H x W x D	H x W x D				
1616-16	536 x 536 x 611	406 x 406 x 406	67	2+2	1	300
1814-12	588 x 486 x 510	458 x 356 x 305	50	3+3	1	240
2414-12	740 x 486 x 510	610 x 356 x 305	66	3+3	2	290
2416-12	740 x 536 x 510	610 x 406 x 305	76	3+3	2	350
2416-16	740 x 536 x 611	610 x 406 x 406	101	3+3	2	390
3016-12	895 x 536 x 510	762 x 406 x 305	94	3+3	2	360
3016-16	895 x 536 x 611	762 x 406 x 406	126	3+3	2	450
3020-16	895 x 638 x 611	762 x 508 x 406	157	3+3	2	510
3620-16	1048 x 638 x 611	915 x 508 x 406	189	4+4	2	570
4016-12	1149 x 536 x 510	1016 x 406 x 305	126	4+4	2	515
4016-16	1149 x 536 x 611	1016 x 406 x 406	167	4+4	2	555
4820-16	1350 x 638 x 611	1220 x 508 x 406	252	4+4	3	720
6020-16	1654 x 638 x 611	1524 x 508 x 406	314	4+4	4	855
6026-16	1654 x 790 x 611	1524 x 660 x 406	408	4+4	4	995

All weights and sizes are approximate. Tolerances - Weight \pm 10%, Dimensions \pm 5%
 *Outside depth is without handle projection.

MATRIX SAFES



Features

- Ideal home safe for storing of personal valuables
- Wide range of international sizes to cater to all requirements
- Comes with an option of combination / electronic lock / key
- RSC listed at Underwriters' Laboratory - USA
- Tested for fire resistance for 2 hours at 1200° F
- Strong and reliable fire & burglary resistant safes

Specifications

Model No.	Dimension in MM		Volume in Ltrs.	Shooting Bolts Live + Dead	Adjustable Shelves	Weight in kgs. For Regular
	External	Internal				
	H x W x D	H x W x D				
1212-11	435 x 435 x 485	305 x 305 x 280	26	2+2	1	110
1414-12	486 x 486 x 510	356 x 356 x 305	39	2+2	1	135
1616-16	536 x 536 x 611	406 x 406 x 406	67	2+2	1	175
1814-12	588 x 486 x 510	458 x 356 x 305	50	3+3	1	155
2414-12	740 x 486 x 510	610 x 356 x 305	66	3+3	2	185
2416-12	740 x 536 x 510	610 x 406 x 305	76	3+3	2	200
2416-16	740 x 536 x 611	610 x 406 x 406	101	3+3	2	220
3016-12	895 x 536 x 510	762 x 406 x 305	94	3+3	2	230
3016-16	895 x 536 x 611	762 x 406 x 406	126	3+3	2	260
3020-16	895 x 638 x 611	762 x 508 x 406	157	3+3	2	290
3620-16	1048 x 638 x 611	915 x 508 x 406	189	4+4	2	325
4016-12	1149 x 536 x 510	1016 x 406 x 305	126	4+4	2	285
4016-16	1149 x 536 x 611	1016 x 406 x 406	167	4+4	2	315
4820-16	1350 x 638 x 611	1220 x 508 x 406	252	4+4	3	420
6020-16	1654 x 638 x 611	1524 x 508 x 406	314	4+4	4	530
6026-16	1654 x 790 x 611	1524 x 660 x 406	408	4+4	4	610

All weights and sizes are approximate. Tolerances - Weight \pm 10%, Dimensions \pm 5%
 *Outside depth is without handle projection.

DEPOSITORY SAFES

MATRIX DEPOSITORY SAFE



Features

- Unique product developed to resist armed robbery in modern retail outlets
- The storage portion of the depository safe is fire & burglary resistant
- Drawer functions as a hopper through which the cash deposits are made
- The safe has been reinforced with armour plate in the inner body and steel bar reinforcement in the door & body
- Barrier thickness of 58 mm in the body and 50 mm in the door fortifies both the door & the body
- By default the safe comes with 1 key lock for model 1212 & 2 key lock for model 1616 onwards on the safe and one key lock on the drawer
- Optional electronic or combination lock can also be provided in place of key lock

Specifications

Model No.	External Dimensions mm / inches			Internal Dimensions mm / inches	Volume (Ltrs. / Cu. ft.)	Weight (kg / lbs)	Locking Bolts
	H x W x D	OD door at 90°	OW door at 180°	(H x W x D)			
1212-11	640 x 435 x 485 25½ x 17½ x 19½	870 34¼	780 30½	305 x 305 x 280 12 x 12 x 11	26 0.92	225 496	2+2
1616-16	740 x 536 x 611 29½ x 21½ x 24	1097 43½	982 38¾	406 x 406 x 406 16 x 16 x 16	67 2.37	360 793½	2+2
3016-12	1097 x 536 x 510 43½ x 21½ x 20½	996 39¾	982 38¾	762 x 406 x 305 30 x 16 x 12	94 3.32	450 992½	3+3
3620-16	1250 x 638 x 611 49¾ x 25½ x 24	1199 47½	1186 46¾	915 x 508 x 406 36 x 20 x 16	188 6.64	630 1388¾	4+4

All weights and sizes are approximate. Tolerances - Weight ± 10%, Dimensions ± 5%

D'TEL SAFES



Features

- Made of prime quality CRCA steel
- Multibend construction, welded structure without a single rivet confers enormous strength to D-Tel, making it not only structurally rigid, but also aesthetically appealing
- Fitted with high precision Godrej 6-lever lock for the storage unit
- Two lockable drawers, each fitted with a Godrej lever lock

Why is the product needed?

Single window counters at banks have employees handling cash transactions. Currently this cash is kept in wooden drawers / cabinets with ordinary locks. Such handling is prone to pilferage / theft in the absence of proper security equipment. The cash received is divided into petty cash and bundled notes and are needed to be stored separately. Hence a robust and secure solution is needed to counter such problems.

What is the product?

This cabinet has two drawers and a storage unit underneath. Second drawer with a depository mechanism helps store cash safely in the storage unit below. This cabinet has ideal height and can double up as pedestal for a desktop. It comes with facility to grout through the bottom of the cabinet. It is fitted with high precision 6-lever lock for storage unit and two lockable drawers.

Specifications

External H x W x D (mm)	691 x 460 x 460
Internal H x W x D (mm) Safe Storage Unit	345 x 455 x 395
No. of Drawers	2
Internal H x W x D (mm) Top Drawer	75 x 345 x 385

All weights and sizes are approximate. Tolerances - Weight \pm 10%, Dimensions \pm 5%

EUROCASH DEPOSIT SYSTEM

THE BUSINESS SERIES



● **DEPOSIT SYSTEM (DEPOSIT SAFE)**

Certified according to EN 13443-2
European Certification Body GmbH, Frankfurt/Main
accredited according to ISO/IEC 17065

Cert. mark No.	
Resistance grade	D-II
Serial No.	
Weight	
Year of manufacture	

ECB-S
www.ecb-s.com

● **DEPOSIT SYSTEM (DEPOSIT SAFE)**

Certified according to EN 13443-2
European Certification Body GmbH, Frankfurt/Main
accredited according to ISO/IEC 17065

Cert. mark No.	
Resistance grade	D-III
Serial No.	
Weight	
Year of manufacture	

ECB-S
www.ecb-s.com

Features

Robust Range:

Available in a range of sizes in Grades II, III and V, the Eurocash Business Series virtually meets all your storage needs. All grades are available in both Mechanical and Electronic variants.

Strong Seamless Construction:

A fully welded multi-corner bend construction makes the body an integral whole. All the sides and door are specially protected from a superior Godrej proprietary TDR Matrix, which is capable of repelling and resisting all forms of Torch and Tool attacks. The resistance capability varies with the resistance grade of the safe as defined in the EN1143-2 standards.

Light Weight and Smart Looks:

Extensive research on barrier technology and a state-of-the-art design ensures that burglary resistance for different grades are achieved with optimal wall thicknesses and body weight - making these safes the lightest in their category.

Deposit Features:

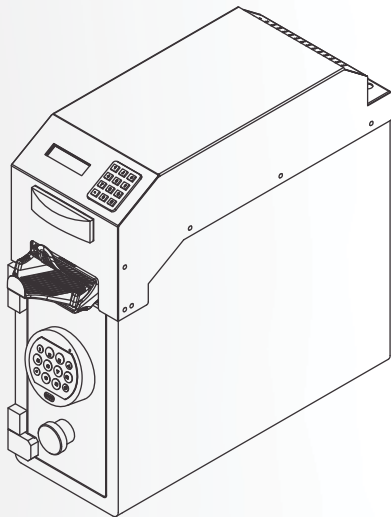
The depository drawers are mounted on smooth heavy duty runners, which have been subjected to a life-cycle test for more than 100,000 operations. The deposit system is capable of receiving envelopes and bags of sizes not exceeding a standard C5 envelope dimension with a maximum permissible thickness of 50mm. The anti-phishing system is rigorously tested as per the latest EN1143-2 standards. Access to the Deposit unit is further restricted to authorised users only by a high security EN 1300 certified Class B Double Bitted Key lock. As an added option, the High Security Key lock may be replaced by a High Security Electronic lock with additional features like Multiple User and Manager Codes, Time Delay, Time Locking, Audit Control etc. to monitor and control the drawer openings.

Specifications

Model No.		External Dimensions (in mm)			Internal Dimensions (in mm)			Weight (in Kg)
D-II	D-II (Electronic)	H	W	D	H	W	D	
D51S	D51S- EL	1592	640	648	1300	510	425	629
D43S	D43S- EL	1392	640	648	1100	510	425	574
D35S	D35S- EL	1192	640	648	900	510	425	514
D28WD	D28WD- EL	992	640	648	700	510	425	483
D23W	D23W- EL	872	640	648	580	510	425	449
D19W	D19W- EL	777	550	648	485	420	425	366
D19WD- EL	D19WD- EL	777	550	533	485	420	310	321

All weights and sizes are approximate. Tolerances - Weight \pm 10%, Dimensions \pm 5%

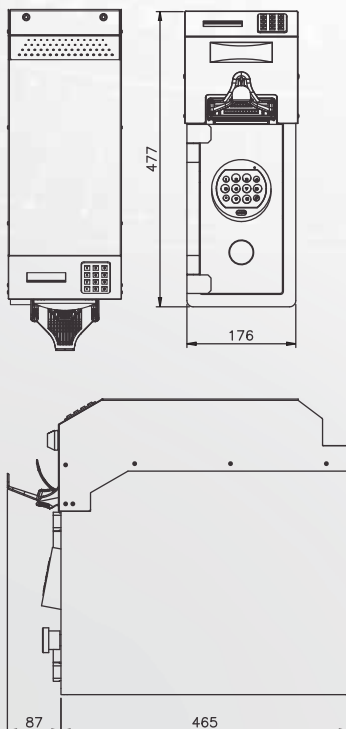
CASH COLLECT CASH DEPOSIT SAFE



Electronic Features

- Multiple user configuration
- User authentication using Smart Card and PIN
- In-line Currency Validation - rejection of suspect currency immediately
- TCP / IP connectivity over LAN to integrate and enable remote monitoring of multiple safes at POS terminals
- Remote access & monitoring of each safe
- Safe software capable of accounting of daily cash inflow as per individual users and denominations
- 10,000 Event audit logs available in the safe built-in memory
- Multiple Alert configuration over GSM module
- Software customisation options available

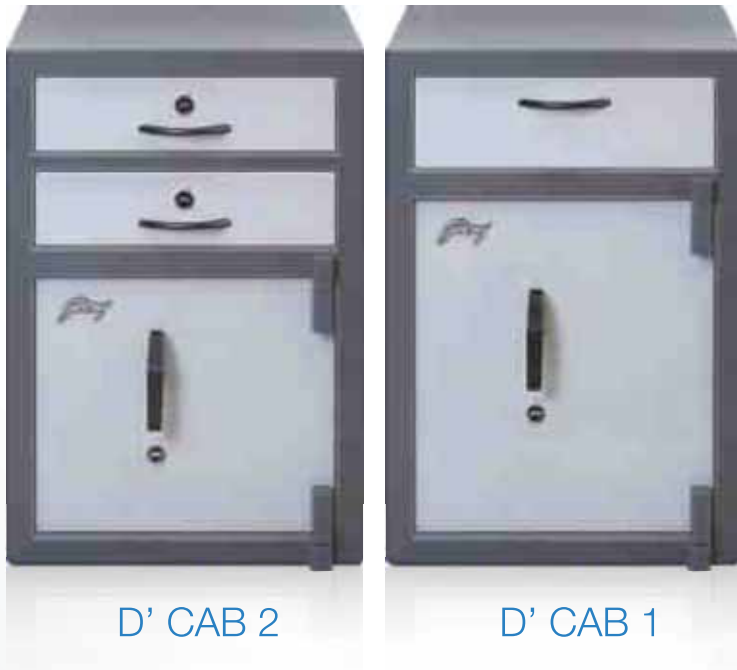
CASH DEPOSIT SAFE BUNCH NOTE FEED



Features

- Cash deposition instead of envelopes (bunch note)
- Cash validation for any denomination
- Cash counting
- Real time cash summary on display
- Cash stacking in safe (1200 notes)
- Access control with smart card
- USB port to connect thermal printer
- USB port to connect GSM for sms
- Ethernet port for networking of safes
- Door open signal for safe main door
- Central monitoring software to monitor multiple safes in a group
- Provision for anchoring
- Any other shape of handle

D' CAB



D' CAB 2

D' CAB 1

Features

- A 2.5 mm multi-bend body that is fully welded and fitted with a Godrej Dual Control Precision 6-Lever Lock
- A5 mm thick door
- Undergoes a seven step anti-corrosion treatment that inhibits corrosion and increases scratch resistance
- An attractive Two Tone Powder Coated finish
- Active Shooting Bolts on the front side and the rear door edge act as a continuous bolt on the rear side

Specifications

	D' Cab I	D' Cab II
External Dimensions H x W x D (mm)	691 x 460 x 460	691 x 460 x 460
Internal Dimensions H x W x D (mm)	415 x 455 x 375	345 x 455 x 375
No. of Shooting Bolts	3	2
No. of Drawers / Hopper	1	2

All weights and sizes are approximate. Tolerances - Weight $\pm 10\%$, Dimensions $\pm 5\%$

FIRE RESISTING SAFES

Mark of Quality:



Listed



Features

- Primarily designed to protect the documents from fire & pilferage
- FR 20 to FR 40 are listed at UL, USA as per UL 72 for 1 Hour and SP, Sweden as per NT Fire 017 for 90P
- FR 445 to FR 720 are listed at UL, USA as per UL 72 for 1 Hour and SP, Sweden as per NT Fire 017 for 120P
- FR 1060, 1260, 1360 are currently available with listing from SP Sweden as per NT Fire 017 standards for 90P
- Wide range of international sizes to cater to all requirement from homes to offices
- Safes are designed to accept a variety of locks to suit every individual need
- Powder coated finish ensures an attractive finish coupled with superior scratch resistance exterior

Specifications

Model No.	External Dimensions H x W x D (in mm / inches)	Internal Dimensions H x W x D (in mm / inches)	Weight (in kg / lbs)	Volume (Ltrs. / Cu ft.)
FR Safe 20 (Horizontal)	385 x 437 x 431 15½ x 17¼ x 16¾	260 x 320 x 242 10¼ x 12¾ x 9½	57 125.66	20 0.70
FR Safe 20 (Vertical)	445 x 377 x 431 17½ x 14¾ x 16¾	320 x 260 x 242 12¾ x 10¼ x 9½	57 125.66	20 0.70
FR Safe 30 (Horizontal)	385 x 507 x 491 15½ x 20 x 19¾	260 x 390 x 302 10¼ x 15¾ x 11¾	70 154.32	30 1.059
FR Safe 30 (Vertical)	515 x 377 x 491 20¾ x 14¾ x 19¾	390 x 260 x 302 15¾ x 10¼ x 11¾	70 154.32	30 1.059
FR Safe 40 (Vertical)	560 x 422 x 491 22 x 16¾ x 19¾	435 x 305 x 302 17½ x 12 x 11¾	82 180.78	40 1.412
FR Safe 445	649 x 505 x 540 25¾ x 19¾ x 21¼	445 x 365 x 305 17½ x 14¾ x 12	118 260.15	50 1.76
FR Safe 560	764 x 590 x 590 30¾ x 23¾ x 23¾	560 x 450 x 355 22 x 17¾ x 14	186 410	90 3.178
FR Safe 720	924 x 590 x 590 36¾ x 23¾ x 23¾	720 x 450 x 355 28¾ x 17¾ x 14	218 480.61	115 4.061
FR Safe 1060	1264 x 590 x 590 49¾ x 23¾ x 23¾	1060 x 450 x 355 41¾ x 17¾ x 14	290 639.34	170 6.003
FR Safe 1260	1464 x 670 x 590 57¾ x 26¾ x 23¾	1260 x 530 x 355 49¾ x 20¾ x 14	350 770	237 8.37
FR Safe 1360	1564 x 690 x 590 61¾ x 27¾ x 23¾	1360 x 550 x 355 53¾ x 21¾ x 14	395 869	265 9.35

All weights and sizes are approximate. Tolerances - Weight ± 10%, Dimensions ± 5%
External depth is with handle.

FIRE RESISTANT FILING CABINETS

Mark of Quality:



Listed



Features

- Certified & Listed by UL, USA for 1 hour & 2 hours of fire endurance, fire & impact & fire explosion test
- Robust drawer design & construction
- Powder coated finish ensures an attractive finish coupled with superior scratch resistance
- Comes with a 6-lever dual control key lock with combination / electronic lock options
- Tested for 9 m drop test

Specifications

Full Depth

Cabinet	60 Min Rated FRFC		90 Min Rated FRFC		120 Min Rated FRFC	
	H x W x D	Weight (kg)	H x W x D	Weight (kg)	H x W x D	Weight (kg)
4 Dr mm	1600 x 552 x 805	470	1534 x 534 x 800	410	1608 x 560 x 835	510
3 Dr mm	1218 x 552 x 805	370	1156 x 534 x 800	310	1226 x 560 x 835	415
2 Dr mm	836 x 552 x 805	240	778 x 534 x 800	210	844 x 560 x 835	260

All weights and sizes are approximate. Tolerances - Weight \pm 10%, Dimensions \pm 5%
All heights are with plinth.

Low Depth

Cabinet	60 Min Rated 670D Series FRFC		90 Min Rated 665D Series FRFC		120 Min Rated 700D Series FRFC	
	H x W x D	Weight (kg)	H x W x D	Weight (kg)	H x W x D	Weight (kg)
4 Dr mm	1600 x 552 x 670	370	1534 x 534 x 665	350	1608 x 560 x 700	425
3 Dr mm	1218 x 552 x 670	285	1156 x 534 x 665	255	1226 x 560 x 700	305
2 Dr mm	836 x 552 x 670	185	778 x 534 x 665	175	844 x 560 x 700	200

All weights and sizes are approximate. Tolerances - Weight \pm 10%, Dimensions \pm 5%
All heights are with plinth.

FIRE RESISTANT RECORD CABINET



Features

- Designed to protect bulky records like box files, bound reports, ledgers and other vital documents from fire
- Highly efficient insulation between outer and inner walls gives it a thick wrap around protection against fire
- Tested at CBRI, Roorkee for fire and impact, thus successfully passing the test for two hours
- Secured by strong bolt work mechanism, a total of 8 bolts in all the four directions
- Comes with a 6-lever dual control Godrej lock
- Optional combination lock can also be provided

FIRE RESISTANT RECORD CABINET



Features

- Designed to protect bulky records like box files, bound reports, ledgers and other vital documents from fire
- Highly efficient insulation between outer and inner walls gives it a thick wrap around protection against fire
- Tested at CBRI, Roorkee for fire and impact, thus successfully passing the test for two hours
- Secured by strong bolt work mechanism, a total of 8 bolts in all the four directions
- Comes with a 6-lever dual control Godrej lock
- Optional combination lock can also be provided

MEDIA SAFES

Mark of Quality:



Listed



Features

- Designed to protect computer media from fire
- 4 sizes to accommodate most applications
- Adjustable shelves
- 53L model is certified & listed by UL, USA as per UL-72 class 125 1 hour fire & impact, fire endurance, fire explosion test
- Two 10 lever high security cylindrical locks for added security
- Tested for 9 m drop test

Specifications

Product	External Dimension			Internal Dimension H x W x D (mm)	Weight (kg)	Volume (Ltrs.)	Capacity				
	H x W x D (mm)	OW door at 180 degree (mm)	OD door at 90 degree (mm)				DLT / LTD Tapes	Data Cartridge	AIT Data Cartridges	Cd / DVD (R, RW & Ram) regular	Zip Disk Media
10 ltr	534 x 425 x 476	864	825	250 x 175 x 250	75	10.94	24	21	60	62	68
53 ltr	698 x 555 x 661	1124	1140	400 x 305 x 435	155	53.07	72	40	204	200	231
90 ltr	798 x 655 x 676	1324	1255	500 x 405 x 450	215	91.13	135	100	390	400	480
Datalin M	1875 x 850 x 800	1700	1545	1620 x 670 x 599	865	372.06	672	432	1656	1344	1812

All weights and sizes are approximate. Tolerances - Weight \pm 10%, Dimensions \pm 5%

EURO LITE SAFES



Features

- Certified & Listed for EN 14450 - S2 at BRE - UK
- Digital locking option available
- Fitted with EN 1300 double bitted key lock as standard lock
- Two fixings in base & rear of safe
- £ 6000 overnight cash rating

Specifications

Model No.	External Dimensions (mm / inches)	Internal Dimensions (mm / inches)	Volume (Ltrs. / Cu. ft.)	Adjustable shelves	Weight (kg / lbs)
FS-10	275 x 325 x 325 10 ⁵ / ₁₆ x 12 ⁵ / ₁₆ x 12 ⁵ / ₁₆	200 x 250 x 225 7 ⁷ / ₈ x 9 ⁵ / ₁₆ x 8 ⁶ / ₇	11 0.42	1	26 63.93
FS-40	330 x 450 x 380 13 x 17 ⁵ / ₇ x 15	255 x 375 x 285 10 x 14 ⁷ / ₈ x 11 ¹ / ₂	26 0.99	1	40 83.78
FS-50	430 x 360 x 400 16 ⁵ / ₁₆ x 14 ¹ / ₁₆ x 15 ³ / ₄	355 x 285 x 295 14 x 11 ¹ / ₁₆ x 11 ¹ / ₁₆	29 0.74	1	41 83.78
FS-45	470 x 490 x 410 18 ¹ / ₂ x 19 ² / ₇ x 16 ¹ / ₂	385 x 375 x 295 15 ¹ / ₁₆ x 14 ⁷ / ₈ x 11 ¹ / ₁₆	42 1.52	1	56 112.44
FS-65	660 x 490 x 410 26 x 19 ² / ₇ x 16 ¹ / ₂	575 x 375 x 295 22 ⁵ / ₁₆ x 14 ⁷ / ₈ x 11 ¹ / ₁₆	63 2.3	2	73 152.12
FS-85	860 x 490 x 410 33 ³ / ₇ x 19 ² / ₇ x 16 ¹ / ₂	775 x 375 x 295 30 ¹ / ₂ x 14 ⁷ / ₈ x 11 ¹ / ₁₆	85 3.07	2	91 196.21

All weights and sizes are approximate. Tolerances - Weight ± 10%, Dimensions ± 5%

PARAMOUNT SAFES



Features

- Fire & burglary resistant safe
- Double body with special compound to enhance fire resistance
- Kaba Mauer double fitted, high security key lock tested to EN 1300 standards
- £ 7000 over night cash rating

Specifications

Model No.	External Dimensions (mm / inches)	Internal Dimensions (mm / inches)	Volume (Ltrs. / Cu. ft.)	Adjustable shelves	Weight (kg / lbs)
HSS	380 x 328 x 359 15 x 12 ⁵ / ₈ x 14 ¹ / ₂	280 x 228 x 222 11 x 9 x 8 ³ / ₄	14 0.49	1	65 143.3
1	481 x 430 x 429 18 ⁵ / ₈ x 16 ⁵ / ₈ x 16 ⁵ / ₈	381 x 330 x 292 15 x 13 x 11 ¹ / ₂	37 1.31	1	110 242.5
2	608 x 430 x 429 23 ³ / ₈ x 16 ⁵ / ₈ x 16 ⁵ / ₈	508 x 330 x 292 20 x 13 x 11 ¹ / ₂	49 1.73	2	135 297.6
3	735 x 532 x 556 28 ³ / ₈ x 21 x 21 ³ / ₈	635 x 432 x 419 25 x 17 x 16 ¹ / ₂	115 4.06	2	210 462.97
4	862 x 557 x 594 33 ³ / ₈ x 21 ³ / ₈ x 23 ³ / ₈	762 x 457 x 457 30 x 18x 18	159 5.62	2	260 573.2

All weights and sizes are approximate. Tolerances - Weight ± 10%, Dimensions ± 5%

WARDROBE SAFES

RHINO



Mechanical

Features

- Strong & sturdy construction
- Attractive aesthetics
- Emergency mechanical override, to open safe without damage in case password is forgotten
- Automatic Auto Freeze if wrong password is entered 3 times consecutively
- Hole provided at the base for anchoring facility

*Key lock option available in Rhino

Specifications

External Dimension (H x W x D) (mm)	Internal (H x W x D) (mm)	Weight (kg)	Volume (Ltrs.)
420 x 460 x 375	410 x 455 x 290	40	40

SECRETO



Secreto is an ideal replacement for the drawer in your desks or wardrobes and provides reliable protection to your valuables.

Features

- Non-volatile memory prevents password erasure, when the battery is low
- Can be used as a drawer and fitted in the wardrobe / desk
- Telescopic slides to access the innermost part of the safe
- Auto freeze after consecutive wrong attempts
- Low battery indicator
- Opens with a 3-6 digit secret password
- Motorised shooting bolts
- Enabled with a master password
- Password entry can be hidden
- Mechanical override available
- Digital locking mechanism
- USB data retrieval
- Interior carpet
- Burglary resistant

Specifications

Size (mm)	Weight (kg)	Volume (Ltrs.)
204 x 465 x 370	14.5	36

This safe can be anchored or grouted.



Burglary

PREMIUM COFFER



Premium Coffe is designed for both, business and home use. It always provides security for your valuables.

Features

- Armoured plate in door
- Attractive aesthetics
- Powder coated finish with attractive fascia
- 6-lever lock

Specifications

Size (mm)	Weight (kg)	Volume (Ltrs.)
254 x 362 x 305	20	21

TAURUS



Taurus, a new-age safe that is a class apart. It comes in ivory colour and its size makes it the most ideal safe for homes.

Features

- Interior carpet
- Digital locking mechanism
- Mechanical override in case password is forgotten
- Motorised shooting bolts
- Enabled with a master password
- Push-button keypad
- Non-volatile memory prevents password erasure, when the battery is low
- Low battery indicator
- Password entry can be hidden
- Opens with a 3-6 digit secret password
- Auto freeze after consecutive wrong attempts

Specifications

Size (mm)	Weight (kg)	Volume (Ltrs.)
250 x 360 x 250	10	14

E-SWIPE



E-Swipe is enabled with an advanced magnetic strip reader. It can be locked and accessed by the use of debit / credit cards. It not only enhances security, but also adds to the elegance of your interiors.

Features

- Heavy duty push-button keypad
- Auto freeze after consecutive wrong attempts
- Opens with a 3-6 digit secret password and / or by the swiping of personal debit / credit card
- Enabled with a master password • Magnetic strip reader
- Non-volatile memory prevents password erasure, when the battery is low
- Mechanical override in case password is forgotten
- Low battery indicator • Motorised shooting bolts
- USB data retrieval • Interior carpet

Specifications

External Dimension (H x W x D) (mm)	Weight (kg)	Volume (Ltrs.)
250 x 455 x 375	15.5	34.7

E-LAPTOP



E-Laptop has been designed to offer a high degree of safety to your gadgets and valuables.

Features

- Auto freeze after consecutive wrong attempts
- Low battery indicator
- USB data retrieval
- Password entry can be hidden
- Compact with attractive aesthetics • Interior carpet
- Mechanical override in case password is forgotten
- Non volatile memory prevents password erasure, when the battery is low
- Enabled with a master password
- Opens with a 3-6 digit secret password
- Can accommodate a 17" laptop • Push-button keypad

Specifications

External Dimension (H x W x D) (mm)	Weight (kg)	Volume (Ltrs.)
200 x 420 x 370	12.5	23.25

RITZ



Electronic



Biometric

Ritz comes with 'I-Buzz', an in-built alarm system that alerts the user in case the safe is tampered with. The Ritz safe is available in two variants, Ritz Touch and Ritz Bio. The safe offers secure storage and convenient access to valuables.

Features - Ritz Electronic

- I-Buzz alerts upon attack
- LED touchpad display with "Touch to activate"
- Auto freeze after consecutive wrong attempts
- 3-6 digit personal code • USB data retrieval

Features - Ritz Bio

- I-Buzz alerts upon attack
- Fast and accurate verification for authentic access
- Fingerprint capture using advanced optics
- Can store upto 30 fingerprint templates
- Auto freeze after consecutive wrong attempts

Specifications

External Dimension (H x W x D) (mm)	Weight (kg)	Volume (Ltrs.)
330 x 400 x 320	22	27

This safe can be anchored or grouted.



STILO



Stilo is stylish and equipped with LED display. The safe is ideal for protecting your valuables.

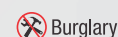
Features

- USB data retrieval • LED display
- Non-volatile memory prevents password erasure, when the battery is low
- Digital locking mechanism • Motorised shooting bolts
- Mechanical override available
- Auto freeze after consecutive wrong attempts
- Enabled with a master password • Push-button keypad
- Opens with a 3-6 digit secret password
- Low battery indicator • Burglary resistant

Specifications

External Dimension (H x W x D) (mm)	Weight (kg)	Volume (Ltrs.)
254 x 350 x 250	11	15

This safe can be anchored or grouted.



CASHBOX



IDEAL TO SAFEGUARD
YOUR CASH

Cashbox is specially designed to safeguard your cash. This safe is ideal for use at home and offices. It offers quick access only to the authorised user.

Features

- Single plate multi-bend construction
- Rigid steel lid, double bent along its locking edge
- Detachable anchor plate for easy fixing and unfixing
- Optional coin slot with tray available
- Powder coated finish
- Provided with 3-compartment tough plastic coin tray

Specifications

External Dimension (H x W x D) (mm)	Weight (kg)	Volume (Ltrs.)
150 x 355 x 255	13	13

This safe can be anchored or grouted from the bottom and back.

 Burglary

ESQUIRE



AFFORDABLE SECURITY

Esquire is a compact, secure and affordable option to safeguard your precious possessions.

Features

- Opens with a 3-6 digit secret password
- Motorised shooting bolts for extra protection
- Non-volatile memory prevents password erasure, when the battery is low
- Low battery indicator
- Interior carpet
- Mechanical override available
- Auto freeze after consecutive wrong attempts
- Enabled with a master password
- Password entry can be hidden
- Push-button keypad
- Digital locking mechanism

Specifications

External Dimension (H x W x D) (mm)	Weight (kg)	Volume (Ltrs.)
200 x 300 x 200	5.5	8.7

This safe can be anchored or grouted from the bottom and back.

 Burglary

LOCK OPTIONS



LaGard Electronic Digital Lock



LaGard Electronic Digital Lock



Kaba 525 Electronic Digital Lock



Kaba 528 Electronic Digital Lock



Key lock



Dial Combination Lock



Movement Time Lock

Safe Deposit Locker Cabinets



Defender Plus
Strong Room Doors



Defender Plus
Safes



Fire Resisting
Record Cabinets



Fire Resisting
Filing Cabinets



Matrix



Godrej & Boyce Mfg. Co. Ltd.

Pirojshanagar, Vikhroli, Mumbai 400 079. **INDIA.** Tel: +91 22 6796 4755 / 65 Fax: +91 22 6796 1509
Email: secure@godrej.com; kurushs@godrej.com Website: www.godrejsecure.com

OVERSEAS OFFICES



Godrej & Boyce Mfg. Co. Ltd. - UAE Branch

Tel: 971 6 5570866 • Fax: 971 6 5570966 • Email: godrejdb@emirates.net.ae, ratana@godrej.ae



Godrej & Boyce Mfg. Co. Ltd. - Saudi Branch

Mobile: 00 966501 365788 • Tel: 00966 1 4025345/4024068 • Fax: 00966 14025369
Email: taj@godrejsaudi.com



Godrej & Boyce Mfg. Co. Ltd. - Nepal Branch

Mobile: +9779843634666 • Email: skdas@godrej.com



Godrej & Boyce Mfg. Co. Ltd. - Bangladesh Branch

Mobile: +8801939404898 • Email: sappy@godrej.com



Godrej & Boyce Mfg. Co. Ltd. - Singapore Branch

Mobile: +6598247304 • Email: apv@godrej.com

In view of the Godrej Policy of continuous development and improvement, the dimensions and specifications may change without prior notice or obligation. Colours of the products shown in this catalogue may not match the actual colour of the product due to printing limitations.

An ISO 9001:2008 & ISO 14001:2004. BS OHSAS 18001:2007 | Products Marketed and Serviced By Godrej & Boyce Mfg. Co. Ltd.