

# ETS

OFFSET TECHNICAL SERVICES

## *Products & Services*

- Chilled Water, Steam, Plumbing & Control valves
- Solar Water Heaters
- ON Grid Solar Photovoltaic System
- Steam and Hot Water Boilers
- Calorifiers
- Gas Boilers
- Heat Pumps
- Heat Exchangers
- Storage Tanks
- Storage Tanks, Pipes insulation and cladding
- Water treatment & Filtration system
- Pump Solutions
- Pilot operated control valves



# ABOUT US

Offset Technical services LLC was established in 2015. We are an ISO 9001-2015 certified company, Our Company specialized in the design, supply, installation, commissioning & maintenance of heating solutions. As a leading solutions provider, importer, re-exporter, and distributor of Renewable Energy and Water Technology systems, such as Electric and Solar Water Heaters, Heat Pumps, Gas and steam Boilers, Calorifiers, Water Pumps, chilled and plumbing valves and steam system Solutions in UAE.

Offset are maintaining strong business ties with all its customers, by combining latest product and industry knowledge with the customers' expectations, tastes, and requirements; thereby tailoring the best solutions that are backed by high quality products and Renewable energy saving solutions.

Offset Technical Services Dubai is a ISO certified organization with establishment of ISO:9001, ISO:14001 & ISO:45001 standards of Quality assurance, Safety Assurance and Environmental assurance. We provide high quality property maintenance services specializing in the following services.



## Offset Care

- Boiler annual maintenance contracts (AMC) & Third party Certification
- Hot water calorifier annual maintenance service
- Calorifier Disinfection, megger test and Third party certification
- Solar system services & maintenance contracts (AMC)
- Steam metering and solutions
- Storage tank internal lining & Industrial floor coatings
- Replacement of Boiler Tubes and Economiser tubes
- Ultrasonic Thickness gauging
- De-Scaling of Boilers
- Burners, heating controls spare parts

## OUT TEAM

Our trained service teams undertake works such as annual/monthly/quarterly inspections, boiler repairs upgrades and reactive breakdowns, our service engineering supports are available all the Emirates of UAE.



## PROJECTS

Offset will supply and installation of high-quality Flow Control Equipment. The comprehensive range of products offered are – Chilled water and plumbing Valves, PICV, Electric & Pneumatic Actuators, Y - Strainers, Flexible Bellows-Rubber Expansion Joints, Flanges & Pipe Fittings following reputed brands European and ANSI standards.

**TLV**

spirax/sarco



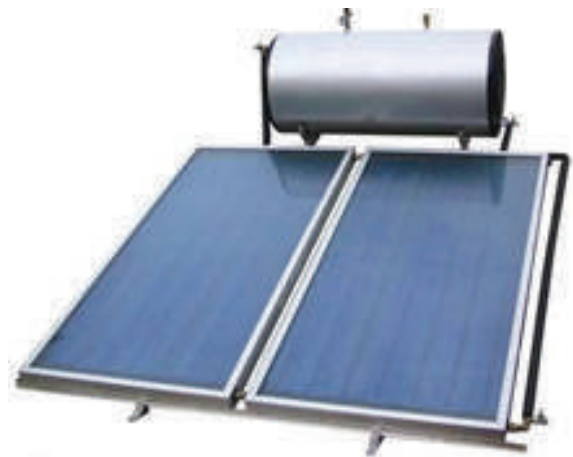
*Danfoss*

**CRANE**



## Solar Water Heaters

Thermosiphonic and forced systems to cater to all type of solar heating applications for villas, residential and commercial buildings. All the equipment complies with International approvals and Local Authority certifications such as DCL Dubai Municipality, KEY MARK/TUV/EN12975.



- The qualified and highly experienced technical team committed to provide services in the field of Steam Boilers, Hot Water Boilers, Calorifiers and Electric Heating Elements, Plate Heat Exchangers, Water Filtration System, Water Softeners, Heat Pumps and Solar Systems.
- Solar Heating systems can be categorized into Natural/Thermosiphon and Forced Circulation Systems. Natural Circulation Systems, most commonly used with Solar Collectors and Storage Tanks, employ the Thermosiphon principle. As per customer requirement, we provide stand-alone systems of 150, 200 and 300 litre capacities or a combination of multiple systems that can function together as Central Heaters.
- Forced Circulation Systems are commonly used for Industrial and Commercial applications. Solar collectors and storage tanks are split with pumps (and accessories) and the intelligent solar controller that operates the system effectively. The storage capacities of these Systems range from 200 litres to 15,000 litres and above. Large capacities are also possible with multiple configurations of the units.

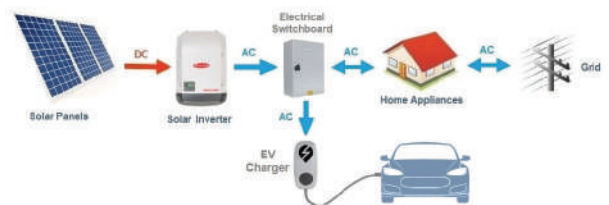


## ON Grid Solar Power (Photovoltaic) system

We are providing Solar PV Power Generation System supply, installation & commissioning including local authority approvals.

Dual Metering system - It is a Solar PV Power Generation System that always connected to the utility grid and this type solar power generator send excess power to the grid when you are overproducing so that you credit it for later use.

- Solar Photovoltaic Modules
- Electrical Controls and Panels
- Dual Metering System



## Storage Calorifiers and Tanks for Domestic Hot Water (DHW)

Offset supplies a wide range of commercial and industrial calorifiers. Our calorifiers are designed to suit anywhere the way customers want to. They can be customized to meet the industrial as well as commercial requirement. We provide professional installation service that earn high earn high customer rating.

Hot water calorifiers products range from 150 to 10,000 liters multiple systems can be connected by solar heating system, heat pump, gas boiler, electrical boiler or electrical heating elements. Hot water calorifier is called storage hot water calorifier if it has internal heating coil, or removable heating coil, removable U-Tube or removable heat exchanger.

Also available in fully electric storage calorifiers system and configured to achieve the required capacities.



HOWDEN

Howden-UK



## Gas Boilers

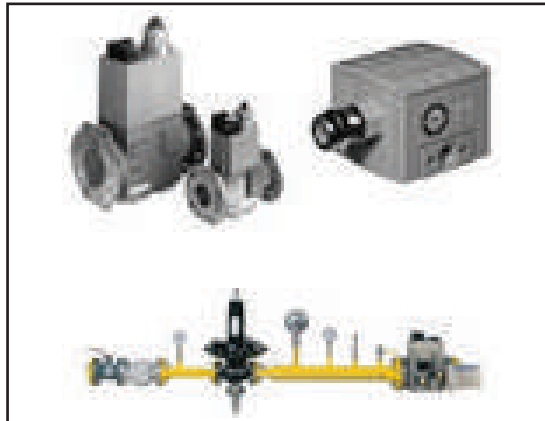
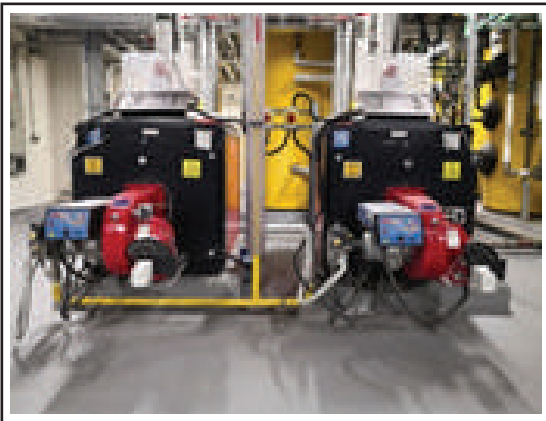
Gas Boilers are used to produce thermal (heat) energy from a gas source and various ranges, These equipment are capable of producing very high thermal energy which can be utilized efficiently for hot water and steam applications. Made of the highest quality of materials and processing standards, it can cater to domestic, industrial and commercial needs.

Gas condensing boilers

Wall-hung electric boilers

Floor-standing steam boilers - gas & oil

- Buffer tanks for central heating systems
- Forced circulation solar hot water system
- Combustion control valves



## Services

Insulation & Cladding:

Fabrication and installation of all types of insulation & cladding, including Aluminum and Stainless Steel (SS), for Storage Tanks (Calorifiers) Pipes (Chilled water & Hot water), fittings ducts, Chimney etc. for exposed services such as valve chambers, plant rooms, district cooling plants, parking floors and others

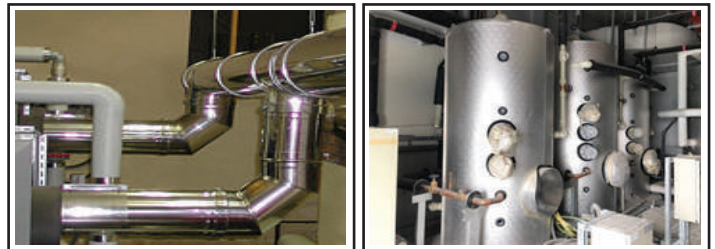
## Mechanical Piping & Welding, Chilled water, Plumbing, Control valves, Boiler and Hot water system

Mechanical Piping Systems is a full-service mechanical contractor providing heating, ventilation, and air conditioning (HVAC) services; We specialize in commercial construction, renovation, and service of all types of HVAC equipment. Mechanical Piping Systems has a team that has expertise with all steam, Hot water & HVAC, applications and guarantees successful results.

We provide steam piping site installation services to some of the most critical equipment and complex environments in the public and private sectors. Using our own highly skilled pipe fitter welders, Offset can provide a tailored engineering solution, managing the whole project right through to commissioning and hand over.

Whether you have an emergency pipe repair or a scheduled shutdown/turnaround, Offset Service has the personnel and experience to handle your mechanical piping needs. We provide a range of commercial and industrial piping services

- Industrial piping
- Oil piping
- Boiler piping
- Installation, repairs, and upgrades
- Compressed Air piping



## Water treatment & Filtration System

Offset having effective solutions for water filtration for all types of industries of Softening, Treatments STP, TS etc.

## Heat Exchangers

We provide high quality plate heat exchanger as well as spares, including Services for gaskets and plates replacements. We are using the genuine spare parts for the PHE's

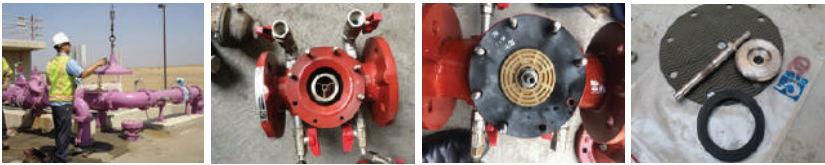


## Pump System

We supply, install and commissioning various type of water pumps used for circulation, transfer and booster for the residential villas and commercial buildings

## Pilot Operated Control Valves

We supply, install and commissioning various type of water pumps used for circulation, transfer and booster for the residential villas and commercial buildings



Cla val automatic control valves from reducing and relief valves to deluge, air valves and more,

Our service provides expert, on-site maintenance and repair services for pilot operated valves installed in waterworks, oil, fire protection systems and industrial applications throughout the US, Our experienced Field Service Technicians can assist for pilot control valve

- Start-up assistance
- Troubleshooting
- Periodic maintenance
- Valve repairs
- Field retrofits

Consolidated Pilot Operated Valves Services specializes in the maintenance of safety you expect, pressure relief, flow control and stop valves as well as actuators and ancillary pipeline products for the commercial industry, the dependability you require, and the efficiency you need to keep your operations running smoothly. These valves offer a premium performance and numerous technical benefits and operating advantages.

We are dedicated to addressing customers' individual operational needs in an efficient and cost-effective manner, with fast turnaround times in breakdown situations. Our staffs are experienced and highly qualified and are able to provide in-depth advice and assist with critical marine valve projects.

Tank lining Services

Offset is experienced in the surface preparation and application of coatings for hot & cold water storage tanks to control corrosion and ensure product purity.



## Clients

### Projects Executed With Major Clients



## Contact Us :



- 📍 P.O. Box 127468, Dubai, UAE
- ☎ +971 55 55 33 285
- ☎ +971 4 342 6233
- ✉ sales@offsetdubai.com
- 🌐 www.offsetdubai.com