



# MAFT

Manarat Al Falah Trading LLC

# ABOUT MAFT



We are a specialized supplier of top-notch lifting gear, catering to a wide range of industries including Marine, Oil & Gas, Off-shore, Construction, Piling & Foundation, Crane, and Engineering. With our unwavering commitment to quality, we take pride in delivering products that meet and exceed international standards.

At MAFT, our experienced team is dedicated to understanding and fulfilling the unique needs of our customers. Drawing on our expertise and industry knowledge, we strive to provide tailored solutions that optimize performance and ensure safety.

We emphasize the importance of adhering to stringent quality control measures throughout our manufacturing and supply processes. Each product undergoes rigorous testing and inspection to guarantee reliability, durability, and compliance with international standards.

Whether you require lifting gear for marine applications, oil and gas projects, offshore installations, construction sites, piling and foundation work, or engineering ventures, MAFT is your trusted partner. We are committed to providing exceptional products that empower your operations and contribute to your success.

“Discover the difference of superior lifting gears and revolutionize your workplace today”

|  |    |   |    |
|--|----|---|----|
| <b>GREEN PIN SHACKLES</b> .....          | 05 | <b>MASTER LINK</b> .....                | 33 |
| Dee Shackles with Screw Collar Pin       |    | Master Link                             |    |
| Bow Shackle Safety Bolt Type             |    | Master Link Assembly                    |    |
| Dee Shackles with Screw Collar Pin       |    | <b>CLEVIS HOOK</b> .....                | 34 |
| Dee Shackles with Safety Bolt            |    | Clevis Sling Hook With Latch            |    |
| Sling Shackles with Safety Bolt Type     |    | Clevis Self Locking Hooks               |    |
| Bow Shackles with Safety Bolt            |    | <b>GRAB HOOK</b> .....                  | 35 |
| <b>POLYESTER SLINGS</b> .....            | 11 | Clevis Grab Hook                        |    |
| Flat Polyester Webbing Slings            |    | Eye Grab Hook                           |    |
| Endless Round Slings                     |    | <b>EYE SLING</b> .....                  | 37 |
| <b>WIRE ROPE</b> .....                   | 13 | Eye Sling Hook With Latch               |    |
| Steel Wire Rope 19x7 class               |    | <b>SHORTENING CLUTCH</b> .....          | 39 |
| Steel Wire Rope 37x7 class               |    | Clevis Shortening Clutch                |    |
| Steel Wire Rope 6x36 class               |    | <b>BOLT TYPE</b> .....                  | 41 |
| Steel Wire Rope Slings                   |    | Bolt Type Anchor Shackle                |    |
| <b>GORMMET SLINGS</b> .....              | 17 | Bolt Type Chain Shackle                 |    |
| Cable Laid Gormmet Slings                |    | Screw Pin Anchor Shackle                |    |
| Manila Rope – 3 Strand                   |    | Screw Pin Chain Shackle                 |    |
| <b>PP ROPE</b> .....                     | 19 | <b>TURNBUCKLE</b> .....                 | 45 |
| Polypropylene Rope – 3 Strand & 8 Strand |    | Turnbuckle With Jaw – Jaw – End Fitting |    |
| Nylon – 3 Strand                         |    | Turnbuckle With Eye – Eye – End Fitting |    |
| <b>MANUAL HOIST</b> .....                | 21 | Turnbuckle With Hook – Hook End Fitting |    |
| Hand Chain Block – LMCB                  |    | Turnbuckle With Jaw – Eye – End Fitting |    |
| <b>LEVER HOIST</b> .....                 | 23 | <b>WIRE ROPE CLIP</b> .....             | 49 |
| Lever Hoist– LMLH                        |    | Wire Rope Clip LM 450                   |    |
| <b>WIRE ROPE PULLER</b> .....            | 25 | <b>ELECTRIC CHAIN HOIST</b> .....       | 50 |
| Wire Rope Puller                         |    | Single Speed                            |    |
| <b>LOAD BINDER</b> .....                 | 27 | Dual Speed                              |    |
| Ratchet Load Binder                      |    | Single Phase                            |    |
| <b>BEAM CLAMP</b> .....                  | 39 | With Motorized Trolley - ET             |    |
| Permanent Type Magnetic Lifter           |    | <b>FALL PROTECTION</b> .....            | 55 |
| <b>MAGNETIC LIFTER</b> .....             | 30 | Full Body Harness                       |    |
| Permanent Type Magnetic Filter           |    | Lanyards                                |    |
| <b>LIFTING CHAIN</b> .....               | 31 | Retractable Block                       |    |
| G – 80 Lifting Chain                     |    | Confined Space                          |    |
| <b>CARGO LASHING</b> .....               | 32 | Hooks and Connections                   |    |
| Cargo Lashing Belt                       |    | Anchorage                               |    |
|  |    | Temporary Anchorage Line System         |    |
|  |    | Rope Access and Rescue                  |    |
|  |    | <b>CHAIN SLING</b> .....                | 63 |
|  |    | Chain Sling Chart                       |    |



**SHACKLES**

G-4151

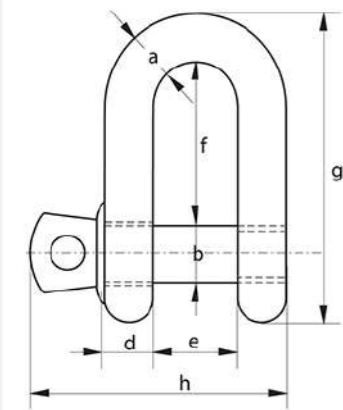


**Green Pin® Standard Shackles**

Dee Shackles with Screw Collar Pin

- Material : bow and pin high tensile steel, Grade 6, quenched and tempered
- Safety Factor : MBL equals 6 x WLL
- Standard : EN 13889 and meets performance requirements of US Fed. Spec. RR-C-271 Type IVA Class 2, Grade A
- Finish : hot dipped galvanized
- Temperature Range : -200C up to +2000C
- Certification : At no extra charges this product can be supplied with a works certificate, 3.1 material certificate, manufacturer test certificate, EC Declaration of Conformity and all shackles starting from 2 t can be supplied with DNV 2.7-1 certificate.

Note : For details on dimensions and tolerances please consult our CAD drawings, these are available on request.

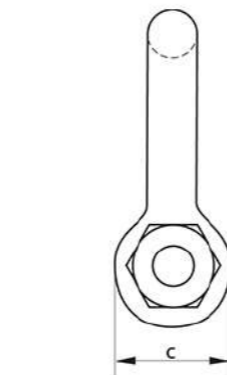
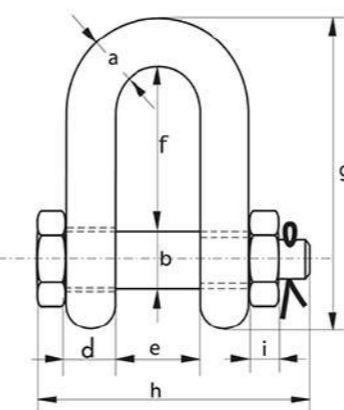


| working load limit | diameter bow | diameter pin | diameter eye | width eye | width inside | length inside | length | length bolt | weight each |
|--------------------|--------------|--------------|--------------|-----------|--------------|---------------|--------|-------------|-------------|
| t                  | a            | b            | c            | d         | e            | f             | g      | h           | kg          |
|                    | mm           | mm           | mm           | mm        | mm           | mm            | mm     | mm          |             |
| 0.33               | 5            | 6            | 12           | 5         | 9.5          | 19            | 33     | 29.5        | 0.02        |
| 0.5                | 7            | 8            | 16.5         | 7         | 12           | 22            | 41.5   | 38          | 0.05        |
| 0.75               | 9            | 10           | 20           | 9         | 13.5         | 26            | 50     | 46.5        | 0.09        |
| 1                  | 10           | 11           | 22.5         | 10        | 17           | 32            | 59     | 54          | 0.14        |
| 1.5                | 11           | 13           | 26.5         | 11        | 19           | 37            | 68     | 59.5        | 0.19        |
| 2                  | 13.5         | 16           | 34           | 13        | 22           | 43            | 81     | 73          | 0.32        |
| 3.25               | 16           | 19           | 40           | 16        | 27           | 51            | 97     | 89          | 0.54        |
| 4.75               | 19           | 22           | 46           | 19        | 31           | 59            | 112    | 103         | 0.87        |
| 6.5                | 22           | 25           | 52           | 22        | 36           | 73            | 134    | 119         | 1.34        |
| 8.5                | 25           | 28           | 59           | 25        | 43           | 85            | 154    | 137         | 2.08        |
| 9.5                | 28           | 32           | 66           | 28        | 47           | 90            | 167    | 153         | 2.77        |
| 12                 | 32           | 35           | 72           | 32        | 51           | 94            | 180    | 170         | 3.72        |
| 13.5               | 35           | 38           | 80           | 35        | 57           | 115           | 209    | 186         | 5.14        |
| 17                 | 38           | 42           | 88           | 38        | 60           | 127           | 230    | 203         | 6.85        |
| 25                 | 45           | 50           | 103          | 45        | 74           | 149           | 271    | 243         | 11.45       |
| 35                 | 50           | 57           | 111          | 50        | 83           | 171           | 305    | 272         | 16.86       |
| 42.5               | 57           | 65           | 130          | 57        | 95           | 190           | 345    | 310         | 24.61       |
| 55                 | 65           | 70           | 145          | 65        | 105          | 203           | 376    | 344         | 32.65       |

In inch

| working load limit | diameter bow | diameter pin | diameter eye | width eye | width inside | length inside | length   | length bolt | weight each |
|--------------------|--------------|--------------|--------------|-----------|--------------|---------------|----------|-------------|-------------|
| t                  | a            | b            | c            | d         | e            | f             | g        | h           | lbs         |
|                    | inch         | inch         | inch         | inch      | inch         | inch          | inch     | inch        |             |
| 0.33               | 3/16         | 1/4          | 15/32        | 3/16      | 3/8          | 3/4           | 1 5/16   | 1 5/32      | 0.04        |
| 0.5                | 1/4          | 5/16         | 21/32        | 9/32      | 15/32        | 7/8           | 1 5/8    | 1 1/2       | 0.11        |
| 0.75               | 5/16         | 3/8          | 25/32        | 11/32     | 17/32        | 1 1/32        | 1 31/32  | 1 27/32     | 0.2         |
| 1                  | 3/8          | 7/16         | 7/8          | 13/32     | 21/32        | 1 1/4         | 2 5/16   | 2 1/8       | 0.3         |
| 1.5                | 7/16         | 1/2          | 1 1/32       | 7/16      | 3/4          | 1 15/32       | 2 11/16  | 2 11/32     | 0.42        |
| 2                  | 1/2          | 5/8          | 1 11/32      | 1/2       | 7/8          | 1 11/16       | 3 3/16   | 2 7/8       | 0.7         |
| 3.25               | 5/8          | 3/4          | 1 9/16       | 5/8       | 1 1/16       | 2             | 3 13/16  | 3 1/2       | 1.19        |
| 4.75               | 3/4          | 7/8          | 1 13/16      | 3/4       | 1 7/32       | 2 5/16        | 4 12/32  | 4 1/16      | 1.92        |
| 6.5                | 7/8          | 1            | 2 1/16       | 7/8       | 1 13/32      | 2 7/8         | 5 9/32   | 4 11/16     | 2.95        |
| 8.5                | 1            | 1 1/8        | 2 5/16       | 31/32     | 1 11/16      | 3 11/32       | 6 1/16   | 5 13/32     | 4.59        |
| 9.5                | 1 1/8        | 1 1/4        | 2 19/32      | 1 3/32    | 1 27/32      | 3 17/32       | 6 9/16   | 6 1/32      | 6.1         |
| 12                 | 1 1/4        | 1 3/8        | 2 27/32      | 1 1/4     | 2            | 3 11/16       | 7 3/32   | 6 11/16     | 8.2         |
| 13.5               | 1 3/8        | 1 1/2        | 3 5/32       | 1 3/8     | 2 1/4        | 4 17/32       | 8 7/32   | 7 5/16      | 11.33       |
| 17                 | 1 1/2        | 1 5/8        | 3 15/32      | 1 1/2     | 2 3/8        | 5             | 9 1/16   | 8           | 15.1        |
| 25                 | 1 3/4        | 2            | 4 1/16       | 1 25/32   | 2 29/32      | 5 7/8         | 10 21/32 | 9 9/16      | 25.23       |
| 35                 | 2            | 2 1/4        | 4 3/8        | 1 31/32   | 3 9/32       | 6 23/32       | 12       | 10 23/32    | 37.17       |
| 42.5               | 2 1/4        | 2 9/16       | 5 1/8        | 2 1/4     | 3 3/4        | 7 15/32       | 13 19/32 | 12 7/32     | 54.26       |
| 55                 | 2 1/2        | 2 3/4        | 5 23/32      | 2 9/16    | 4 1/8        | 8             | 14 13/16 | 13 17/32    | 71.98       |

G-4153



**Green Pin® Standard Shackles**

Dee Shackles with Safety Bolt

- Material : bow and pin high tensile steel, Grade 6, quenched and tempered
- Safety Factor : MBL equals 6 x WLL
- Standard : EN 13889 and meets performance requirements of US Fed. Spec. RR-C-271 Type IVA Class 2, Grade A
- Finish : hot dipped galvanized
- Temperature Range : -20°C up to +200°C
- Certification : At no extra charges this product can be supplied with a works certificate, 3.1 material certificate, manufacturer test certificate, EC Declaration of Conformity and all shackles starting from 2 t can be supplied with DNV 2.7-1 certificate.

Note : For details on dimensions and tolerances please consult our CAD

| working load limit | diameter bow | diameter pin | diameter eye | width eye | width inside | length inside | length | length bolt | thickness nut | weight each |
|--------------------|--------------|--------------|--------------|-----------|--------------|---------------|--------|-------------|---------------|-------------|
| t                  | a            | b            | c            | d         | e            | f             | g      | h           | i             | kg          |
|                    | mm           | mm           | mm           | mm        | mm           | mm            | mm     | mm          | mm            |             |
| 2                  | 13.5         | 16           | 34           | 13        | 22           | 43            | 81     | 82          | 13            | 0.39        |
| 3.25               | 16           | 19           | 40           | 16        | 27           | 51            | 97     | 98          | 17            | 0.67        |
| 4.75               | 19           | 22           | 46           | 19        | 31           | 59            | 112    | 114         | 19            | 1.08        |
| 6.5                | 22           | 25           | 52           | 22        | 36           | 73            | 134    | 130         | 22            | 1.66        |
| 8.5                | 25           | 28           | 59           | 25        | 43           | 85            | 154    | 150         | 25            | 2.46        |
| 9.5                | 28           | 32           | 66           | 28        | 47           | 90            | 167    | 166         | 27            | 3.4         |
| 12                 | 32           | 35           | 72           | 32        | 51           | 94            | 180    | 178         | 30            | 4.51        |
| 13.5               | 35           | 38           | 80           | 35        | 57           | 115           | 209    | 197         | 33            | 6.1         |
| 17                 | 38           | 42           | 88           | 38        | 60           | 127           | 230    | 202         | 19            | 7.63        |
| 25                 | 45           | 50           | 103          | 45        | 74           | 149           | 271    | 249         | 23            | 12.88       |
| 35                 | 50           | 57           | 111          | 50        | 83           | 171           | 305    | 269         | 26            | 17.35       |
| 42.5               | 57           | 65           | 130          | 57        | 95           | 190           | 345    | 301         | 29            | 25.94       |
| 55                 | 65           | 70           | 145          | 65        | 105          | 203           | 376    | 330         | 32            | 35.33       |
| 85                 | 75           | 83           | 162          | 73        | 127          | 229           | 427    | 380         | 39            | 52.97       |

In inch

| working weight load | diameter nut | diameter bow | diameter pin | width eye | width inside | length eye | length inside | length inside | thickness bolt |        |
|---------------------|--------------|--------------|--------------|-----------|--------------|------------|---------------|---------------|----------------|--------|
| t                   | a            | b            | c            | d         | e            | f          | g             | h             | i              |        |
|                     | inch         | inch         | inch         | inch      | inch         | inch       | inch          | inch          | inch           |        |
| 2                   | 1/2          | 5/8          | 1 11/32      | 1/2       | 7/8          | 1 11/16    | 3 3/16        | 3 7/32        | 1/2            | 0.85   |
| 3.25                | 5/8          | 3/4          | 1 9/16       | 5/8       | 1 1/16       | 2          | 3 13/16       | 3 27/32       | 21/32          | 1.48   |
| 4.75                | 3/4          | 7/8          | 1 13/16      | 3/4       | 1 7/32       | 2 5/16     | 4 13/32       | 4 1/2         | 3/4            | 2.39   |
| 6.5                 | 7/8          | 1            | 2 1/16       | 7/8       | 1 13/32      | 2 7/8      | 5 9/32        | 5 1/8         | 7/8            | 3.66   |
| 8.5                 | 1            | 1 1/8        | 2 5/16       | 31/32     | 1 11/16      | 3 11/32    | 6 1/16        | 5 29/32       | 31/32          | 5.42   |
| 9.5                 | 1 1/8        | 1 1/4        | 2 19/32      | 1 3/32    | 1 27/32      | 3 17/32    | 6 9/16        | 6 11/32       | 1 1/16         | 7.5    |
| 12                  | 1 1/4        | 1 3/8        | 2 27/32      | 1 1/4     | 2            | 3 11/16    | 7 3/32        | 7             | 1 3/16         | 9.95   |
| 13.5                | 1 3/8        | 1 1/2        | 3 5/32       | 1 3/8     | 2 1/4        | 4 17/32    | 8 7/32        | 7 3/4         | 1 5/16         | 13.45  |
| 17                  | 1 1/2        | 1 5/8        | 3 15/32      | 1 1/2     | 2 3/8        | 5          | 9 1/16        | 7 15/16       | 3/4            | 16.82  |
| 25                  | 1 3/4        | 2            | 4 1/16       | 1 25/32   | 2 29/32      | 5 7/8      | 10 21/32      | 9 13/16       | 29/32          | 28.4   |
| 35                  | 2            | 2 1/4        | 4 3/8        | 1 31/32   | 3 9/32       | 6 23/32    | 12            | 10 19/32      | 1 1/32         | 38.25  |
| 42.5                | 2 1/4        | 2 9/16       | 5 1/8        | 2 1/4     | 3 3/4        | 7 15/32    | 13 19/32      | 11 27/32      | 1 5/32         | 57.19  |
| 55                  | 2 1/2        | 2 3/4        | 5 23/32      | 2 9/16    | 4 1/8        | 8          | 14 13/16      | 13            | 1 1/4          | 77.89  |
| 85                  | 3            | 3 1/4        | 6 3/8        | 2 7/8     | 5            | 9 1/32     | 16 13/16      | 14 31/32      | 1 17/32        | 116.77 |



# POLYESTER SLINGS

## Flat Polyester Webbing Slings

- Flat Webbing Slings are made with high tenacity polyester webbing
- Slings are manufactured either to EN 1492- 2:2000 with Safety factor 7:1
- We offer slings in MM system (i.e. 30mm, 60mm, 900mm etc.) and also in inch system (i.e. 1" 2" 3")

CAPACITY CHART IN KGS FOR 1-PLY AND 2-PLY FLAT POLYESTER WEBBING SLINGS

| Color Code | Width in Inches | M=1           |       | M=.8        |       | M=2           |       | M=1.4              |       | M=1                 |       |
|------------|-----------------|---------------|-------|-------------|-------|---------------|-------|--------------------|-------|---------------------|-------|
|            |                 | Straight Lift |       | Choker Lift |       | Basket/U-Lift |       | At angle Beta 0-45 |       | At angle Beta 45-60 |       |
|            |                 | 1-PLY         | 2-PLY | 1-PLY       | 2-PLY | 1-PLY         | 2-PLY | 1-PLY              | 2-PLY | 1-PLY               | 2-PLY |
| Violet     | 1               | 500           | 1000  | 400         | 800   | 1000          | 2000  | 700                | 1400  | 500                 | 1000  |
| Green      | 2               | 1000          | 2000  | 800         | 1600  | 2000          | 3000  | 1400               | 2800  | 1000                | 2000  |
| Yellow     | 3               | 1500          | 3000  | 1200        | 2400  | 3000          | 6000  | 2100               | 4200  | 1500                | 3000  |
| Grey       | 4               | 2000          | 4000  | 1600        | 3200  | 4000          | 8000  | 2800               | 5600  | 2000                | 4000  |
| Red        | 5               | 2500          | 5000  | 2000        | 4000  | 5000          | 10000 | 3500               | 7000  | 2500                | 5000  |
| Brown      | 6               | 3000          | 6000  | 2400        | 4800  | 6000          | 12000 | 4200               | 8400  | 3000                | 6000  |
| Blue       | 8               | 4000          | 8000  | 3200        | 6400  | 8000          | 16000 | 5600               | 11200 | 4000                | 8000  |
| Orange     | 10              | 5000          | 10000 | 4000        | 8000  | 10000         | 20000 | 7000               | 14000 | 5000                | 10000 |
| Orange     | 12              | 6000          | 12000 | 4800        | 9600  | 12000         | 24000 | 8400               | 16800 | 6000                | 12000 |



CAPACITY CHART IN KGS FOR 1-PLY AND 2-PLY FLAT POLYESTER WEBBING SLINGS

| Color Code | Width in Inches | M=1           |       | M=.8        |       | M=2           |       | M=1.4              |       | M=1                 |       |
|------------|-----------------|---------------|-------|-------------|-------|---------------|-------|--------------------|-------|---------------------|-------|
|            |                 | Straight Lift |       | Choker Lift |       | Basket/U-Lift |       | At angle Beta 0-45 |       | At angle Beta 45-60 |       |
|            |                 | 3-PLY         | 4-PLY | 3-PLY       | 4-PLY | 3-PLY         | 4-PLY | 3-PLY              | 4-PLY | 3-PLY               | 4-PLY |
| Violet     | 1               | 1500          | 2000  | 1200        | 1600  | 3000          | 4000  | 2100               | 2800  | 1500                | 2000  |
| Green      | 2               | 3000          | 4000  | 2400        | 3200  | 6000          | 8000  | 4200               | 5600  | 3000                | 4000  |
| Yellow     | 3               | 4500          | 6000  | 3600        | 4800  | 9000          | 12000 | 6300               | 8400  | 4500                | 6000  |
| Grey       | 4               | 6000          | 8000  | 4800        | 6400  | 12000         | 16000 | 8400               | 11200 | 6000                | 8000  |
| Red        | 5               | 7500          | 10000 | 6000        | 8000  | 15000         | 20000 | 10500              | 14200 | 7500                | 10000 |
| Brown      | 6               | 9000          | 12000 | 7200        | 9600  | 18000         | 24000 | 12600              | 16800 | 9000                | 12000 |
| Blue       | 8               | 12000         | 16000 | 9600        | 12800 | 24000         | 32000 | 16800              | 22400 | 12000               | 16000 |
| Orange     | 10              | 15000         | 20000 | 12000       | 16000 | 30000         | 40000 | 21000              | 28000 | 15000               | 20000 |
| Orange     | 12              | 18000         | 24000 | 14400       | 19200 | 36000         | 48000 | 25200              | 33600 | 18000               | 24000 |

|               |            |                  |                      |                       |
|---------------|------------|------------------|----------------------|-----------------------|
| <b>I</b>      | <b>o</b>   | <b>U</b>         | <b>∪</b>             | <b>∪</b>              |
| Straight Pull | Choke Lift | Basket Lift 0.7° | Basket Lift 0 to 45° | Basket Lift 45 to 60° |

## Endless Round Slings

- Endless Round Slings are made with high tenacity polyester webbing.
- Round Slings are manufactured either to EN 1492-2:2000 with Safety factor 7:1.
- Color coded and striped for WLL (Working Load Limit) Identification.
- We offer slings in MM system (i.e. 30mm, 60mm, 900mm etc.) and also in inch system (i.e. 1" 2" 3"etc)



ROUND ENDLESS SLINGS CAPACITY IN KGS

|             |             | WLL kg with one Round Endless Sling |             |              |          |                               | WLL kg with two Round Endless Sling |                            |        |       |
|-------------|-------------|-------------------------------------|-------------|--------------|----------|-------------------------------|-------------------------------------|----------------------------|--------|-------|
| APPROX. DIA | COLOUR CODE | Straight Lift                       | Choke Hitch | Basket Hitch |          | Straight Inclination 7° - 45° |                                     | Choke Inclination 7° - 45° |        |       |
|             |             |                                     |             | up to 7°     | 7° - 45° | 45° - 60°                     | 45° - 60°                           |                            |        |       |
| Mode Factor |             | M=1.0                               | M=0.8       | M=2          | M=1.4    | M=1.0                         | M=1.4                               | M=1.0                      | M=1.12 | M=0.8 |
| 18          | Violet      | 1000                                | 800         | 2000         | 1400     | 1000                          | 1400                                | 1000                       | 1120   | 800   |
| 20          | Green       | 2000                                | 1600        | 4000         | 2800     | 2000                          | 2800                                | 2000                       | 2240   | 1600  |
| 22          | Yellow      | 3000                                | 2400        | 6000         | 4200     | 3000                          | 4200                                | 3000                       | 3360   | 2400  |
| 25          | Grey        | 4000                                | 3200        | 8000         | 5600     | 4000                          | 5600                                | 4000                       | 4480   | 3200  |
| 28          | Red         | 5000                                | 4000        | 10000        | 7000     | 5000                          | 7000                                | 5000                       | 5600   | 4000  |
| 32          | Brown       | 6000                                | 4800        | 12000        | 8400     | 6000                          | 8400                                | 6000                       | 6720   | 4800  |
| 38          | Blue        | 8000                                | 6400        | 16000        | 11200    | 8000                          | 11200                               | 8000                       | 8960   | 6400  |
| 46          | Orange      | 10000                               | 8000        | 20000        | 14000    | 10000                         | 14000                               | 10000                      | 11200  | 8000  |
| 58          | Orange      | 12000                               | 9600        | 24000        | 16800    | 12000                         | 16800                               | 12000                      | 13440  | 9600  |
| 70          | Orange      | 15000                               | 12000       | 30000        | 21000    | 15000                         | 21000                               | 15000                      | 16800  | 12000 |
| 78          | Orange      | 20000                               | 16000       | 40000        | 28000    | 20000                         | 28000                               | 20000                      | 22400  | 16000 |
| 90          | Orange      | 25000                               | 20000       | 50000        | 35000    | 25000                         | 35000                               | 25000                      | 28000  | 20000 |
| 100         | Orange      | 30000                               | 24000       | 60000        | 42000    | 30000                         | 42000                               | 30000                      | 33600  | 24000 |
| 115         | Orange      | 36000                               | 28800       | 72000        | 50400    | 36000                         | 50400                               | 36000                      | 40320  | 28800 |
| 180         | Orange      | 50000                               | 40000       | 100000       | 70000    | 50000                         | 70000                               | 50000                      | 56000  | 40000 |
| 200         | Orange      | 75000                               | 60000       | 150000       | 105000   | 75000                         | 105000                              | 75000                      | 84000  | 60000 |
| 250         | Orange      | 100000                              | 80000       | 200000       | 140000   | 100000                        | 140000                              | 100000                     | 112000 | 80000 |



# WIRE ROPE

## Steel Wire Rope

Construction: 19 x 7 class Wire Rope

- This wire rope construction is available in both galvanised and un galvanised finish in ordinary lay and lang's lay.
- Depending upon your requirement for higher breaking load or better wear characteristics, these wire ropes are available in different finishes and lubrications as well as being available with plastic impregnated or in compacted constructions.

### Applications

- Offshore crane rope
- Deck crane rope
- Pillar crane rope
- Whip hoist rope
- Main hoist rope
- Crane rope

• Available brands: DSR – South Korea, Brunton wolf – UAE, Bharat wire rope – India



| Nominal Dia. |        | Minimum Breaking Load (Metric Ton) |           |           | Approx Weight |
|--------------|--------|------------------------------------|-----------|-----------|---------------|
|              |        | 180 Kg/mm                          | 200 Kg/mm | 220 Kg/mm |               |
| mm           | inch   | 1770 N/mm                          | 1960 N/mm | 2160 N/mm | Kg/m          |
| 9.53         | 3/8    | 7.3                                | 7.9       | 8.8       | 0.44          |
| 10           |        | 8.0                                | 8.7       | 9.7       | 0.48          |
| 11.2         | 7/16   | 10.1                               | 10.9      | 12.1      | 0.60          |
| 12           |        | 11.6                               | 12.6      | 13.9      | 0.69          |
| 12.7         | 1/2    | 13.0                               | 14.1      | 15.6      | 0.78          |
| 13           |        | 13.6                               | 14.7      | 16.4      | 0.81          |
| 14           |        | 15.8                               | 17.1      | 19.0      | 0.94          |
| 14.3         | 9/16   | 16.5                               | 17.8      | 19.8      | 0.98          |
| 15           |        | 18.1                               | 19.6      | 21.8      | 1.08          |
| 16           | 5/8    | 20.6                               | 22.3      | 24.8      | 1.23          |
| 17.5         | 11/16  | 24.6                               | 26.7      | 29.6      | 1.47          |
| 18           |        | 26.1                               | 28.3      | 31.4      | 1.56          |
| 19           | 3/4    | 29.1                               | 31.5      | 34.9      | 1.74          |
| 20           |        | 32.2                               | 34.9      | 38.7      | 1.93          |
| 21           | 13/16  | 35.5                               | 38.5      | 42.7      | 2.12          |
| 22           |        | 38.9                               | 42.2      | 46.8      | 2.33          |
| 22.2         | 7/8    | 39.7                               | 43.1      | 47.8      | 2.38          |
| 24           | 15/16  | 46.4                               | 50.2      | 55.8      | 2.77          |
| 25           |        | 50.3                               | 54.5      | 60.5      | 3.01          |
| 25.4         | 1      | 51.9                               | 56.3      | 62.4      | 3.11          |
| 26           |        | 54.4                               | 58.9      | 65.4      | 3.25          |
| 28           |        | 63.1                               | 68.4      |           | 3.77          |
| 28.6         | 1-1/8  | 65.8                               | 71.3      |           | 3.94          |
| 30           | 1-3/16 | 72.4                               | 78.5      |           | 4.33          |
| 31.8         | 1-1/4  | 81.4                               | 88.2      |           | 4.87          |
| 32           |        | 82.4                               | 89.3      |           | 4.93          |

## Steel Wire Rope

Construction: 35 x 7 class wire rope

- 35X7 is available in both galvanised and un-galvanised finish with lang's lay in 2160 grade.
- Depending upon your requirement for higher breaking load or better wear characteristics, these wire ropes are available in different finishes and lubrications as well as being available with plastic impregnated or in compacted constructions.

### Applications

- Offshore crane rope
- Deck crane rope
- Pillar crane rope
- Whip hoist rope
- Main hoist rope
- Crane rope

• Available brands: DSR – South Korea, Brunton wolf – UAE.



| Nominal Dia. |        | Minimum Breaking Load (Metric Ton) |           | Approx Weight |
|--------------|--------|------------------------------------|-----------|---------------|
|              |        | 200 Kg/mm                          | 220 Kg/mm |               |
| mm           | inch   | 1960 N/mm                          | 2160 N/mm | Kg/m          |
| 14           |        | 18.3                               | 19.6      | 1.00          |
| 14.3         | 9/16   | 19.1                               | 20.4      | 1.04          |
| 15           |        | 21.0                               | 22.5      | 1.15          |
| 16           | 5/8    | 23.9                               | 25.6      | 1.31          |
| 17           | 11/16  | 28.9                               | 30.6      | 1.56          |
| 18           |        | 30.3                               | 32.4      | 1.65          |
| 19           | 3/4    | 33.7                               | 36.1      | 1.84          |
| 20           |        | 37.3                               | 40.0      | 2.04          |
| 21           | 13/16  | 41.2                               | 44.1      | 2.25          |
| 22           |        | 45.2                               | 48.4      | 2.47          |
| 23           | 7/8    | 46.1                               | 49.4      | 2.52          |
| 24           | 15/16  | 53.8                               | 57.6      | 2.94          |
| 25           |        | 58.4                               | 62.5      | 3.19          |
| 25.4         | 1      | 60.2                               | 64.5      | 3.29          |
| 26           |        | 63.1                               | 67.6      | 3.45          |
| 28           |        | 73.2                               | 78.4      | 4.00          |
| 28.6         | 1-1/8  | 76.4                               | 81.8      | 4.17          |
| 30           | 1-3/16 | 84.0                               | 90.0      | 4.59          |
| 31.8         | 1-1/4  | 94.4                               | 101.1     | 5.16          |
| 32           |        | 95.6                               | 102.4     | 5.22          |
| 34           |        | 107.9                              | 115.6     | 5.90          |
| 35           | 1-3/8  | 114.4                              | 122.5     | 6.25          |
| 36           |        | 121.0                              | 129.6     | 6.61          |
| 38           |        | 134.8                              | 144.4     | 7.37          |



# WIRE ROPE

## Steel Wire Rope

Construction: 6 x 36 class wire rope

6x36 is a flexible general engineering wire rope readily available in galvanised and un-galvanised. The wire rope has an equal lay construction and achieves a superior breaking load to the 6x19 construction range. The construction has been designed to give a flexible rope with a good fatigue life. A 6x36 wire rope is available with either FC (fibre core) or IWRC (independent wire rope core) and is used for a wide range of applications, examples of which are shown below:

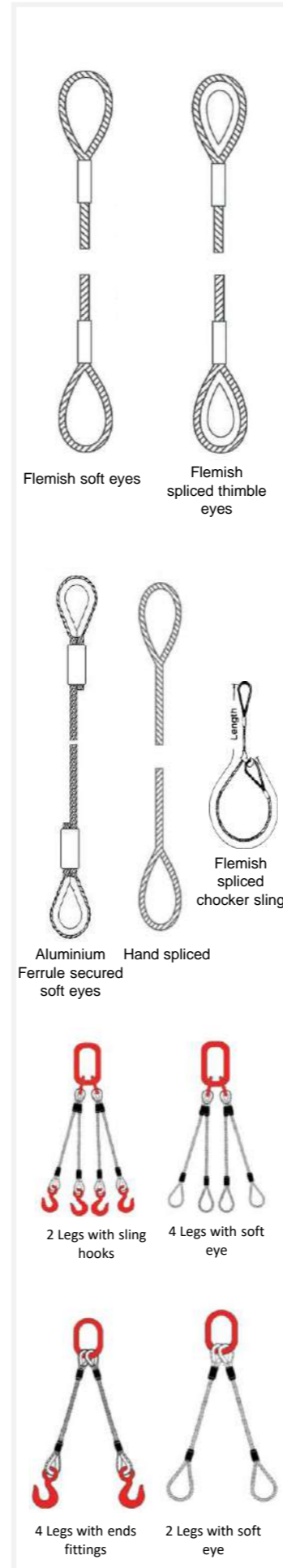
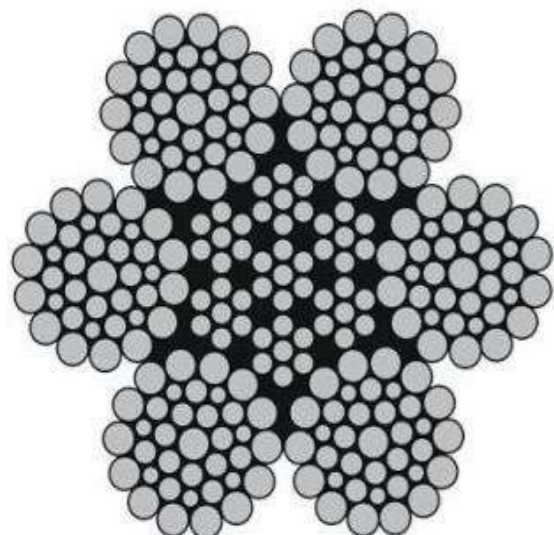
### 6x37 Class Rope

### Applications

- Holding and closing ropes for grab cranes
- General engineering applications
- Wire rope slings
- Crane ropes
- Winch ropes
- Hoist rope
- Wire rope rigging applications
- Lifeboat falls
- Mooring ropes
- Luffing ropes
- Tow ropes

Available brands: DSR – South Korea, Brunton wolf – UAE, Bharat wire rope – India

| Nominal Dia. |        | Minimum Breaking Load (Metric Ton) |       |                       |       |                        | Approx Weight |       |
|--------------|--------|------------------------------------|-------|-----------------------|-------|------------------------|---------------|-------|
| mm           | inch   | 180 Kg/mm<br>1770N/mm              |       | 200 Kg/mm<br>1960N/mm |       | 220 Kg/mm<br>2160 N/mm | Kg/m          |       |
|              |        | FC                                 | IWRC  | FC                    | IWRC  | IWRC                   | FC            | IWRC  |
| 11.2         | 7/16   | 8.9                                | 9.9   | 9.3                   | 10.7  |                        | 0.53          | 0.58  |
| 12           |        | 10.2                               | 11.4  | 10.7                  | 12.3  |                        | 0.60          | 0.66  |
| 12.7         | 1/2    | 11.4                               | 12.7  | 12.0                  | 13.8  |                        | 0.68          | 0.74  |
| 13           |        | 12.0                               | 13.4  | 12.5                  | 14.4  |                        | 0.71          | 0.77  |
| 14           |        | 13.9                               | 15.5  | 14.6                  | 16.7  | 17.5                   | 0.82          | 0.90  |
| 14.3         | 9/16   | 14.5                               | 16.2  | 15.2                  | 17.4  | 18.2                   | 0.86          | 0.94  |
| 15           |        | 16.0                               | 17.8  | 16.7                  | 19.2  | 20.1                   | 0.94          | 1.03  |
| 16           | 5/8    | 18.2                               | 20.2  | 19.0                  | 21.8  | 22.8                   | 1.07          | 1.17  |
| 17.5         | 11/16  | 21.7                               | 24.2  | 22.7                  | 26.1  | 27.3                   | 1.28          | 1.40  |
| 18           |        | 23.0                               | 25.6  | 24.1                  | 27.6  | 28.9                   | 1.36          | 1.49  |
| 19           | 3/4    | 25.6                               | 28.5  | 26.8                  | 30.8  | 32.2                   | 1.51          | 1.65  |
| 20           | 13/16  | 28.4                               | 31.6  | 29.7                  | 34.1  | 35.7                   | 1.67          | 1.83  |
| 21           |        | 31.3                               | 34.8  | 32.7                  | 37.6  | 39.3                   | 1.85          | 2.02  |
| 22           | 7/8    | 34.3                               | 38.2  | 35.9                  | 41.3  | 43.1                   | 2.03          | 2.22  |
| 22.2         | 15/16  | 35.0                               | 39.0  | 36.7                  | 42.1  | 44.0                   | 2.07          | 2.26  |
| 24           |        | 40.9                               | 45.5  | 42.8                  | 49.1  | 51.3                   | 2.41          | 2.64  |
| 25           |        | 44.3                               | 49.4  | 46.4                  | 53.3  | 55.7                   | 2.62          | 2.86  |
| 25.4         | 1      | 45.8                               | 51.0  | 47.9                  | 55.0  | 57.5                   | 2.70          | 2.96  |
| 26           |        | 48.0                               | 53.4  | 50.2                  | 57.7  | 60.3                   | 2.83          | 3.10  |
| 27           |        | 55.6                               | 61.9  | 58.2                  | 66.9  | 69.9                   | 3.28          | 3.59  |
| 28           | 1-1/8  | 58.0                               | 64.6  | 60.7                  | 69.8  | 72.9                   | 3.42          | 3.75  |
| 30           | 1-3/16 | 63.9                               | 71.1  | 66.8                  | 76.8  | 80.2                   | 3.77          | 4.13  |
| 31.5         | 1-1/4  | 70.4                               | 78.4  | 73.7                  | 84.6  | 88.4                   | 4.15          | 4.55  |
| 33           |        | 72.7                               | 80.9  | 76.0                  | 87.3  | 91.3                   | 4.29          | 4.69  |
| 34           |        | 82.0                               | 91.3  | 85.8                  | 98.6  | 103.0                  | 4.84          | 5.30  |
| 36           | 1-3/8  | 86.9                               | 96.8  | 90.9                  | 104.5 | 109.2                  | 5.13          | 5.62  |
| 38           |        | 92.0                               | 102.4 | 96.2                  | 110.5 | 115.5                  | 5.42          | 5.94  |
| 40           |        | 102.5                              | 114.1 | 107.2                 | 123.2 | 128.7                  | 6.04          | 6.62  |
| 42           | 1-1/2  | 103.0                              | 114.7 | 107.8                 | 123.8 | 129.4                  | 6.08          | 6.65  |
| 44           |        | 113.5                              | 126.4 | 118.8                 | 136.5 |                        | 6.70          | 7.33  |
| 46           |        | 125.2                              | 139.4 | 131.0                 | 150.5 |                        | 7.38          | 8.09  |
| 48           |        | 137.4                              | 152.9 | 143.7                 | 165.1 |                        | 8.10          | 8.87  |
| 50           | 1-3/4  | 140.2                              | 156.1 | 146.7                 | 168.5 |                        | 8.27          | 9.06  |
| 52           |        | 150.1                              | 167.2 | 157.1                 | 180.5 |                        | 8.86          | 9.70  |
| 54           |        | 163.5                              | 182.0 |                       |       |                        | 9.64          | 10.56 |
| 56           |        | 177.4                              | 197.5 |                       |       |                        | 10.46         | 11.46 |
| 58           | 2      | 183.1                              | 203.9 |                       |       |                        | 10.80         | 11.83 |
| 60           |        | 191.8                              | 213.6 |                       |       |                        | 11.32         | 12.93 |



## Steel Wire Rope Slings

- Types: Soft eyes & Thimble eyes mechanically spliced with aluminium ferrule and Soft eyes & Thimble eyes Flemish spliced with steel ferrules.
- Conform to BS EN 13414-1:2003
- Fully certified and individually stamped for full traceability.

| Angle to the vertical | Single leg sling            | Two leg sling |           | Three and Four leg sling |           |        |
|-----------------------|-----------------------------|---------------|-----------|--------------------------|-----------|--------|
|                       | 0 Deg                       | 0 -45 Deg     | 45-60 Deg | 0-45 Deg                 | 45-60 Deg |        |
|                       |                             |               |           |                          |           |        |
|                       |                             |               |           |                          |           |        |
|                       |                             |               |           |                          |           |        |
| Nominal Rope Dia (mm) | Working Load Limits(Tonnes) |               |           |                          |           |        |
| 8                     | (5/16")                     | 0.82          | 1.15      | 0.82                     | 1.72      | 1.23   |
| 9                     |                             | 1.00          | 1.40      | 1.00                     | 2.10      | 1.50   |
| 10                    | (3/8")                      | 1.30          | 1.80      | 1.30                     | 2.73      | 1.95   |
| 11                    |                             | 1.50          | 2.10      | 1.50                     | 3.15      | 2.25   |
| 12                    |                             | 1.80          | 2.50      | 1.80                     | 3.80      | 2.70   |
| 13                    | (1/2")                      | 2.10          | 2.90      | 2.10                     | 4.40      | 3.15   |
| 14                    | (9/16")                     | 2.50          | 3.50      | 2.50                     | 5.25      | 3.75   |
| 16                    | (5/8")                      | 3.30          | 4.60      | 3.30                     | 6.90      | 4.95   |
| 18                    |                             | 4.10          | 5.70      | 4.10                     | 8.60      | 6.15   |
| 19                    | (3/4")                      | 4.60          | 6.40      | 4.60                     | 9.65      | 6.90   |
| 20                    |                             | 5.10          | 7.10      | 5.10                     | 10.70     | 7.65   |
| 22                    | (7/8")                      | 6.20          | 8.70      | 6.20                     | 13.00     | 9.30   |
| 24                    |                             | 7.40          | 10.30     | 7.40                     | 15.50     | 11.10  |
| 26                    | (1")                        | 8.60          | 12.00     | 8.60                     | 18.05     | 12.90  |
| 28                    | (1-1/8")                    | 10.00         | 14.00     | 10.00                    | 21.00     | 15.00  |
| 32                    | (1-1/4")                    | 13.10         | 18.30     | 13.00                    | 27.50     | 19.65  |
| 36                    | (1-3/8")                    | 16.60         | 23.20     | 16.60                    | 34.85     | 24.90  |
| 38                    | (1-1/2")                    | 18.50         | 25.90     | 18.50                    | 38.85     | 27.75  |
| 40                    |                             | 20.60         | 28.80     | 20.60                    | 43.25     | 30.90  |
| 42                    | (1-5/8")                    | 22.60         | 31.60     | 22.60                    | 47.45     | 33.90  |
| 44                    | (1-3/4")                    | 24.80         | 34.70     | 24.80                    | 52.10     | 37.20  |
| 48                    | (1-7/8")                    | 29.50         | 41.40     | 29.50                    | 61.95     | 44.25  |
| 52                    | (2")                        | 34.80         | 48.70     | 34.80                    | 73.10     | 52.20  |
| 56                    | (2-1/4")                    | 40.20         | 56.30     | 40.20                    | 84.40     | 60.30  |
| 60                    |                             | 46.20         | 64.70     | 46.20                    | 97.00     | 69.30  |
| 64                    | (2-1/2")                    | 54.80         | 76.70     | 54.80                    | 115.10    | 82.20  |
| 71                    | (2-3/4")                    | 66.60         | 92.00     | 66.60                    | 139.85    | 99.90  |
| 76                    | (3")                        | 76.50         | 107.10    | 76.50                    | 160.65    | 114.75 |
| 83                    | (3-1/4")                    | 89.60         | 125.50    | 89.60                    | 188.20    | 134.46 |
| 89                    | (3-1/2")                    | 101.00        | 141.40    | 101.00                   | 212.10    | 151.50 |
| 103                   | (4")                        | 129.00        | 180.60    | 129.00                   | 270.90    | 193.50 |

# GROMMET SLINGS

## Cable Laid Grommet Slings

- Made from one continuous length of strand or rope laid around itself as a core to make a round and endless 7- strand sling. Short centred slings for heavy loads, large dredge bucket slings and as alternatives for other sling types. We are able to manufacture large diameter cable laid grommet slings that exceed current EN 13414-3 standards
- All cable laid grommet slings are load tested and third part witness to test can be arranged if required
- Wire rope Grommets can be made up to 1000 Tons capacity
- Very long lengths can be made up
- Ideal for heavy lifts



## Manila Rope – 3 Strand

Manila rope, sometimes referred to as “hemp rope”, is manufactured from the strongest natural fibers available of the abaca plant grown in the Philippines. Manila rope provides high strength with very good resistance to abrasion and low stretch.

This versatile rope is used widely in many different applications and industries. Some of the common industries include:

- Agriculture
- Industrial
- Construction
- Marine

Manila rope is also widely used in different applications such as decorative rope, dock railings, bridge rails, outside rope fencing, landscape rope, climbing rope, exercise rope, and tug-o-war rope

We stock Grade No. 3 Manila Rope, 3-Strand, with diameters of 1/4", 5/16", 3/8", 1/2", 5/8", 3/4", 1", 1-1/8", 1-1/4", 1-1/2", minimum of 5% oil content, minimum breaking strength of new rope and actual breaking strength is provided on request



**PP ROPE**

**Polypropylene Rope – 3 Strand & 8 Strand**

**Properties:**

- High Breaking Strength
- Light Weight
- Controlled Elongation
- Unaffected by Acids & Alkalies
- Negligible Water absorption
- Abrasion Resistant
- U.V. Stabilized & Long lasting

**Applications:**

- In Fishery Industry
- For Submersible Pumps
- For Marine Purposes
- For Construction
- In Agriculture
- In Transportation

**In Transportation**

- Spliced with eyes
- Special lengths
- Reworked components – Metal, plastic (Eye sockets, hooks, carabiners etc)

| High Strength Polypropylene Rope (Danline) |                                  |                                 |
|--|----------------------------------|---------------------------------|
| Dia (mm)                                   | Weight per coil of 100 mtrs (kg) | Minimum Breaking Strength (KGF) |
| 4  | 0.72                             | 320                             |
| 6  | 1.63                             | 690                             |
| 8  | 2.90                             | 1200                            |
| 10   | 4.53                             | 1800                            |
| 12   | 6.52                             | 2600                            |
| 14   | 8.88                             | 3500                            |
| 16   | 11.60                            | 4400                            |
| 18   | 14.70                            | 5600                            |
| 20   | 18.10                            | 6800                            |
| 22   | 21.90                            | 8100                            |
| 24   | 26.10                            | 9500                            |
| 26   | 30.60                            | 10900                           |
| 28   | 35.50                            | 12500                           |
| 30   | 40.80                            | 14300                           |
| 32   | 46.40                            | 16000                           |
| 36   | 58.70                            | 19800                           |

| High Strength Polypropylene Rope (Danline) |               |                             |                                 |
|--|---------------|-----------------------------|---------------------------------|
| Dia (mm)                                   | Circ (inches) | Weight per coil of 100 Mtrs | Minimum Breaking Strength (KGF) |
| 36   | 4.5           | 59                          | 22800                           |
| 40   | 5             | 72                          | 27900                           |
| 44   | 5.5           | 88                          | 33300                           |
| 48   | 6             | 104                         | 39300                           |
| 52   | 6.5           | 122                         | 45700                           |
| 56   | 7             | 142                         | 52400                           |
| 60   | 7.5           | 163                         | 59400                           |
| 64   | 8             | 186                         | 67000                           |
| 72   | 9             | 235                         | 83600                           |
| 80   | 10            | 290                         | 101400                          |
| 88   | 11            | 351                         | 121300                          |
| 96   | 12            | 417                         | 142700                          |
| 104  | 13            | 490                         | 165100                          |
| 112  | 14            | 568                         | 191600                          |
| 120  | 15            | 652                         | 217100                          |



**Nylon Rope – 3 Strand**

Nylon Rope has twice the strength of Manila rope. It has high elongation (under load) when compared to other synthetic ropes. Nylon has high energy absorption under shock and good abrasion resistance. When combined, these characteristics make nylon rope the best in handling compared to other synthetics. It is utilized extensively in marine use such as mooring lines, towing slings, commercial fishing, utility rope, leisure boating, and sailing etc.

- Fiber Content: Nylon fiber
- Specific gravity: 1.14
- Melting Point: 220°C
- Elongation at break: 45% (8S/T), 30% (12S/T)
- Water absorption: 2 ~ 5%



|    | Dia.   | Circ. | Weight    |            |            | Breaking | Strength |
|----|--------|-------|-----------|------------|------------|----------|----------|
| mm | Inch   | Inch  | KGS/100 M | LBS/100F T | LBS/100F M | Kg       | kN       |
| 4  | 5/32   | 1/2   | 1.05      | 0.71       | 4.23       | 360      | 3.53     |
| 5  | 3/16   | 5/8   | 1.56      | 1.05       | 6.29       | 570      | 5.60     |
| 6  | 1/4    | 3/4   | 2.25      | 1.51       | 9.07       | 760      | 7.46     |
| 7  | 9/32   | 7/8   | 3.1       | 2.08       | 12.50      | 1,050    | 10.30    |
| 8  | 5/16   | 1     | 4.0       | 2.69       | 16.13      | 1,390    | 13.65    |
| 9  | 3/8    | 1-1/8 | 5.0       | 3.36       | 20.16      | 1,750    | 17.20    |
| 10 | 13/32  | 1-1/4 | 6.2       | 4.17       | 25.00      | 2,130    | 20.90    |
| 11 | 7/16   | 1-3/8 | 7.5       | 5.04       | 30.24      | 2,600    | 25.50    |
| 12 | 15/32  | 1-1/2 | 8.9       | 5.98       | 35.88      | 3,040    | 29.80    |
| 13 | 1/2    | 1-5/8 | 10.5      | 7.06       | 42.33      | 3,570    | 35.00    |
| 14 | 9/16   | 1-3/4 | 12.2      | 8.20       | 49.19      | 4,180    | 41.00    |
| 16 | 5/8    | 2     | 15.8      | 10.62      | 63.70      | 5,380    | 52.80    |
| 18 | 23/32  | 2-1/4 | 20.0      | 13.44      | 80.64      | 6,880    | 67.50    |
| 19 | 3/4    | 2-3/8 | 22.1      | 14.85      | 89.10      | 7,650    | 75.10    |
| 20 | 13/16  | 2-1/2 | 24.5      | 16.46      | 98.78      | 8,450    | 82.90    |
| 22 | 7/8    | 2-3/4 | 30.0      | 20.16      | 120.96     | 10,400   | 102.00   |
| 24 | 15/16  | 3     | 35.5      | 23.86      | 143.13     | 12,300   | 120.70   |
| 25 | 1      | 3-1/8 | 38.8      | 26.07      | 156.44     | 13,400   | 131.50   |
| 26 | 1-1/32 | 3-1/4 | 42.0      | 28.22      | 169.37     | 14,500   | 142.20   |
| 28 | 1-1/8  | 3-1/2 | 48.5      | 32.59      | 195.54     | 16,200   | 159.00   |
| 30 | 1-3/16 | 3-3/4 | 55.5      | 37.29      | 223.77     | 18,300   | 179.50   |
| 32 | 1-1/4  | 4     | 63.0      | 42.98      | 254.01     | 20,600   | 202.00   |
| 34 | 1-1/32 | 4-1/4 | 71.4      | 47.98      | 287.87     | 23,200   | 227.10   |
| 36 | 1-7/16 | 4-1/2 | 80.0      | 53.76      | 322.55     | 25,700   | 252.10   |

|     | Dia.    | Circ.   | Weight    |            |            | Breaking | Strength |
|-----|---------|---------|-----------|------------|------------|----------|----------|
| mm  | Inch    | Inch    | KGS/100 M | LBS/100F T | LBS/100F M | Kg       | kN       |
| 38  | 1-1/2   | 4-3/4   | 89.3      | 60.01      | 360.04     | 28,200   | 276.60   |
| 40  | 1-19/32 | 5       | 99.0      | 66.53      | 399.15     | 31,000   | 304.10   |
| 42  | 1-21/32 | 5-1/4   | 109.0     | 73.25      | 439.47     | 33,800   | 331.60   |
| 44  | 1-3/4   | 5-1/2   | 120.0     | 80.64      | 483.82     | 37,000   | 363.00   |
| 45  | 1-13/16 | 5-5/8   | 124.8     | 83.86      | 503.17     | 37,800   | 370.80   |
| 48  | 1-7/8   | 6       | 142.0     | 95.42      | 572.52     | 43,000   | 421.80   |
| 50  | 2       | 6-1/4   | 153.5     | 103.15     | 618.89     | 46,300   | 454.20   |
| 52  | 2-1/16  | 6-1/2   | 166.0     | 111.55     | 669.28     | 50,000   | 490.50   |
| 55  | 2-5/32  | 6-7/8   | 186.2     | 125.12     | 750.73     | 55,000   | 539.50   |
| 56  | 2-1/4   | 7       | 193.0     | 129.96     | 778.14     | 57,000   | 559.20   |
| 60  | 2-3/8   | 7-1/2   | 221.0     | 148.51     | 891.04     | 64,500   | 632.70   |
| 64  | 2-1/2   | 8       | 252.0     | 169.34     | 1,016.02   | 73,000   | 716.10   |
| 65  | 2-9/16  | 8-1/16  | 260.0     | 174.71     | 1,048.28   | 75,000   | 735.70   |
| 70  | 2-3/4   | 8-11/16 | 302.0     | 202.94     | 1,217.61   | 86,000   | 843.60   |
| 72  | 2-7/8   | 9       | 319.0     | 214.36     | 1,286.16   | 91,000   | 892.70   |
| 75  | 3       | 9-1/4   | 346.0     | 232.50     | 1,395.01   | 98,700   | 968.20   |
| 80  | 3-5/32  | 10      | 394.0     | 264.76     | 1,588.54   | 111,500  | 1,093.80 |
| 85  | 3-3/8   | 10-1/2  | 445.0     | 299.03     | 1,794.17   | 126,000  | 1,236.00 |
| 88  | 3-7/16  | 11      | 477.0     | 320.53     | 1,923.19   | 135,000  | 1,324.30 |
| 90  | 3-9/16  | 11-1/8  | 499.0     | 335.31     | 2,011.89   | 139,000  | 1,363.60 |
| 95  | 3-3/16  | 11-3/4  | 556.0     | 373.68     | 2,241.70   | 154,000  | 1,510.70 |
| 96  | 3-13/16 | 12      | 568.0     | 381.68     | 2,290.08   | 158,000  | 1,550.00 |
| 100 | 3-15/16 | 12-3/8  | 616.0     | 413.94     | 2,483.61   | 170,000  | 1,667.70 |

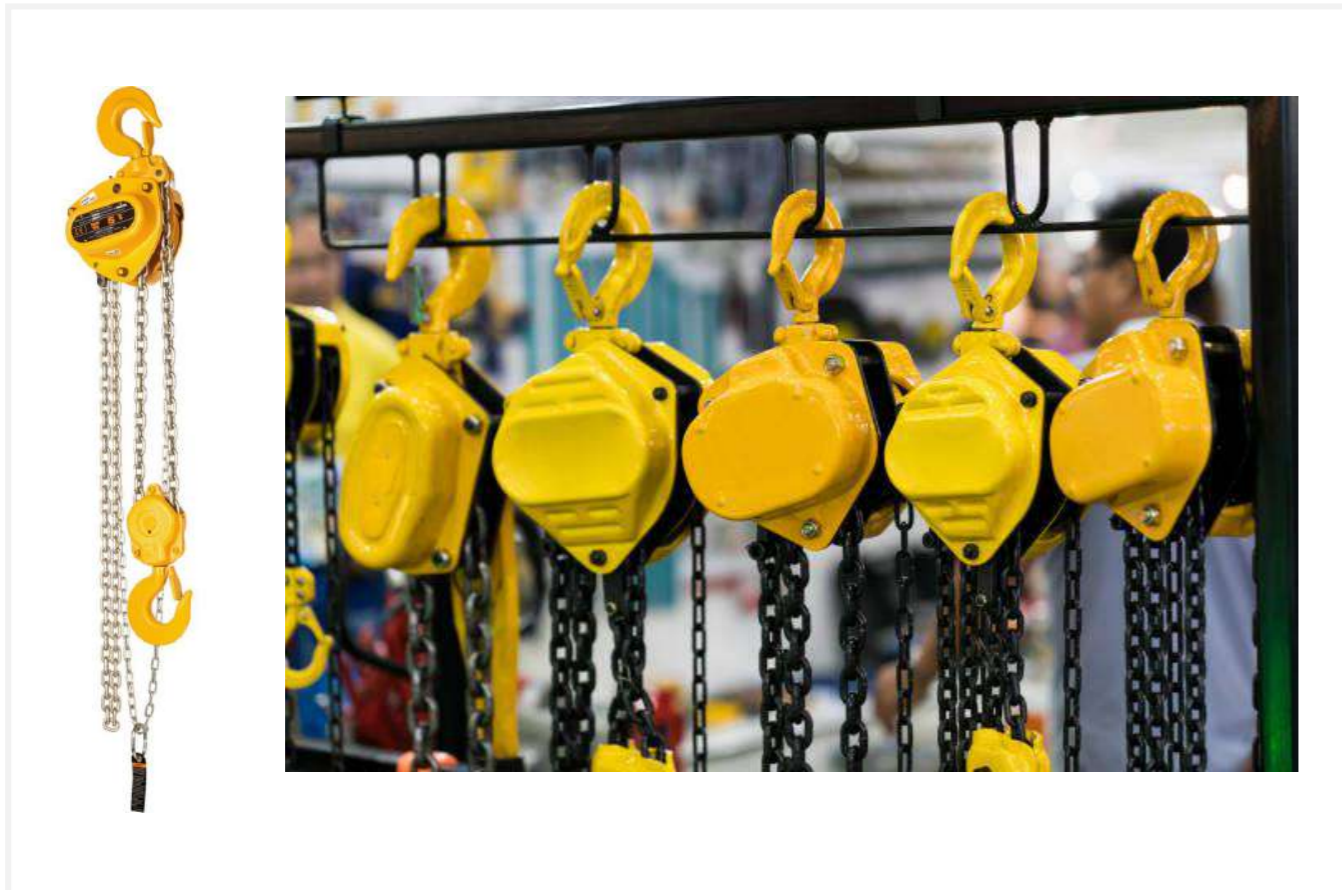
# MANUAL HOIST

## Hand Chain Block - Lmcb

Load from 0.5 to 30 Ton

LMCB is a compact, high performance

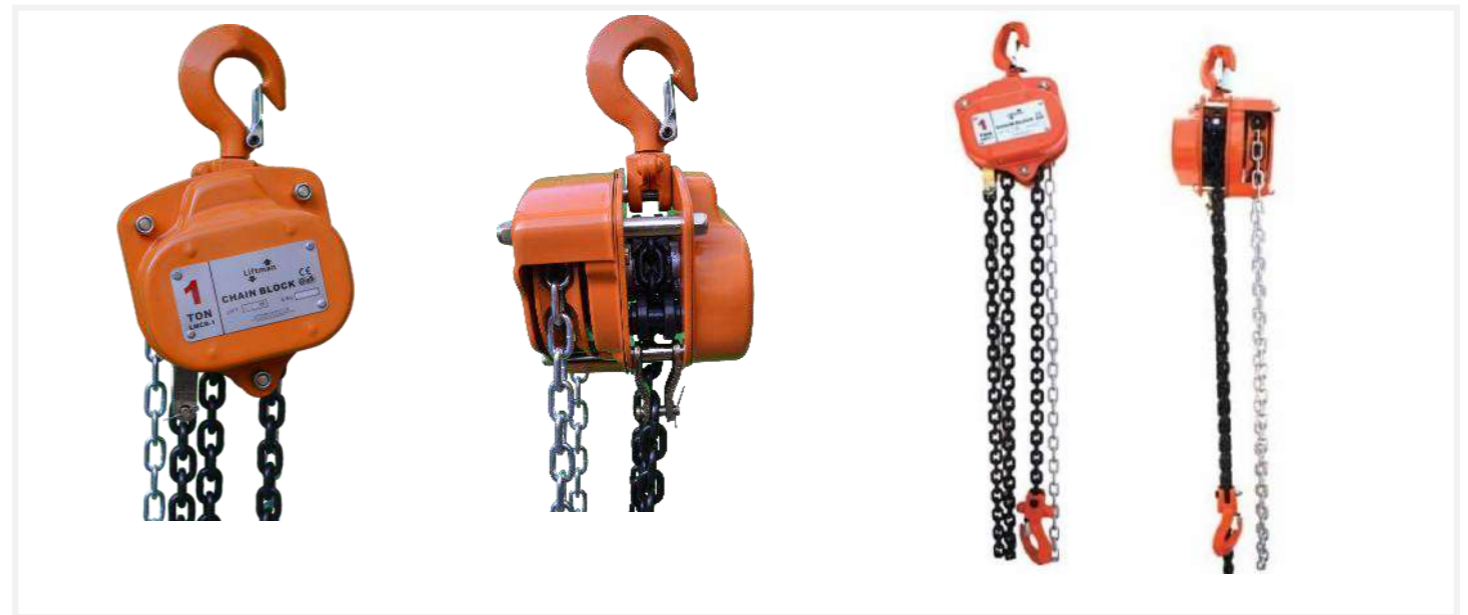
Hand chain block, tested according to applicable Standards.



### Technical features

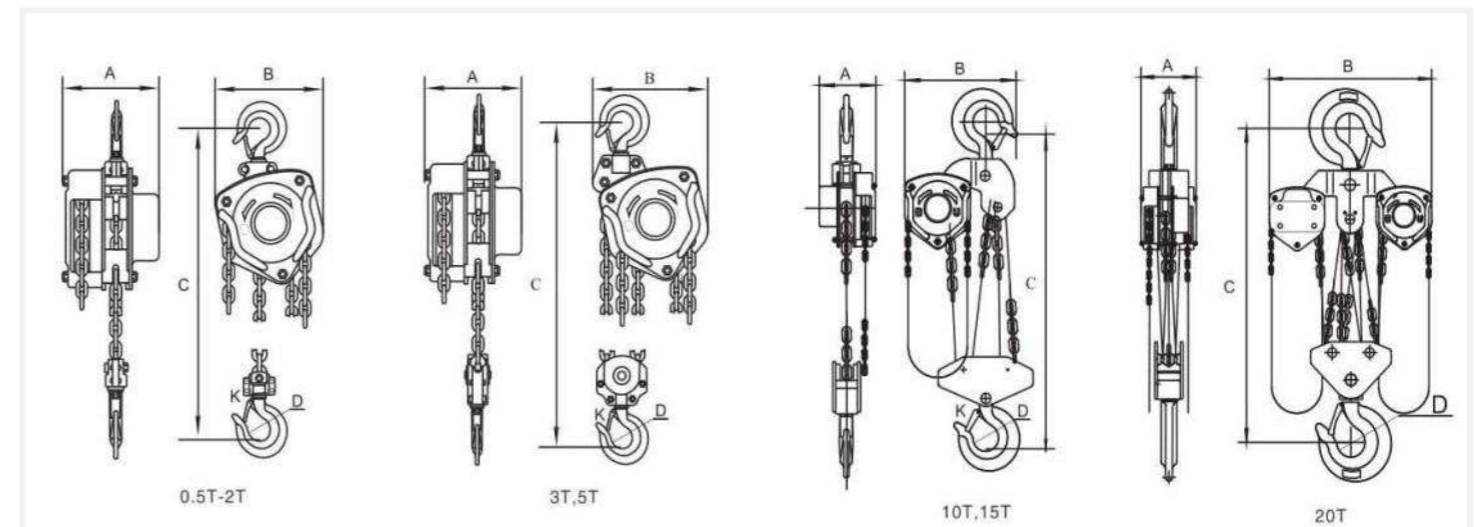
- Machined chain sprocket and gears provide smoother more efficient operation.
- 3 meters/6 meters standard lift, Non – standard lift also available.
- High strength Gr.80 alloy steel load chain with black finish
- LMCB's compact design offers safety together with reduced weight, ideal for construction and maintenance applications
- Alloy steel components have specific heat treatment which avoids sudden break
- Steel casing solidly protects chain sprockets, gear case and hand wheel cover
- LMCB comes with automatic double pawl breaking system
- High resistance industrial powder coating meets ROHS requirement
- 1500 cycles life test meets EN 13157, ANSI B30 16, AS1418 standards
- Factor of safety- 4:1
- Proof load – 1.5 WLL

## Hand Chain Block - LMCB



### Chain Block Specifications

| Model No | Capacity (Kg) | Standard Lift(m) | Running Test Load (KN) | Effort Required to Lift (N) | Dia of Load Chain (mm) | No of Falls | Dimension |     |      |     |    | Net Weight (KG) | Extra Weight Per Meter of extra lift (KG) |
|----------|---------------|------------------|------------------------|-----------------------------|------------------------|-------------|-----------|-----|------|-----|----|-----------------|---|
|          |               |                  |                        |                             |                        |             | A         | B   | C    | D   | K  |                 |   |
| LMCB-1   | 1             | 2.5              | 15                     | 300                         | 6                      | 1           | 152       | 157 | 355  | 38  | 27 | 11              | 1.6                                       |
| LMCB-1.5 | 1.5           | 2.5              | 22.5                   | 350                         | 8                      | 1           | 155       | 180 | 375  | 48  | 36 | 14.5            | 2.3                                       |
| LMCB-2   | 2             | 3                | 30                     | 310                         | 8                      | 1           | 185       | 207 | 430  | 48  | 36 | 17.5            | 2.3                                       |
| LMCB-3   | 3             | 3                | 45                     | 350                         | 8                      | 2           | 152       | 207 | 500  | 50  | 38 | 20.5            | 3.2                                       |
| LMCB-5   | 5             | 3                | 75                     | 415                         | 10                     | 2           | 189       | 267 | 680  | 57  | 48 | 39.5            | 5.3                                       |
| LMCB-10  | 10            | 3                | 150                    | 415                         | 10                     | 4           | 189       | 380 | 750  | 80  | 51 | 65              | 9.7                                       |
| LMCB-15  | 15            | 3                | 225                    | 420                         | 10                     | 6           | 194       | 400 | 880  | 85  | 58 | 102             | 14  |
| LMCB-20  | 20            | 3                | 300                    | 410*2                       | 10                     | 8           | 224       | 440 | 940  | 106 | 70 | 156             | 19.3                                      |
| LMCB-30  | 30            | 3                | 450                    | 410*2                       | 10                     | 12          | 274       | 649 | 1100 | 120 | 80 | 246             | 28.3                                      |



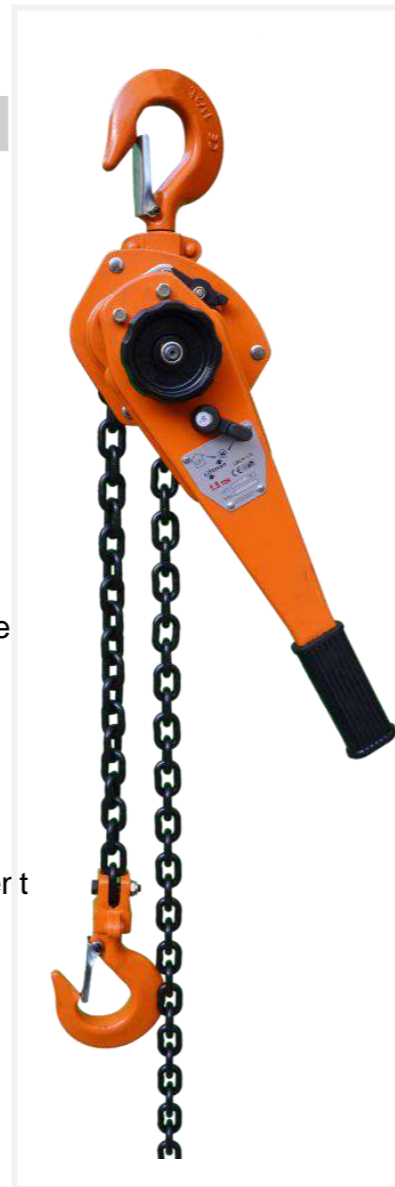
# LEVER HOIST

## Lever Hoist- LMLH

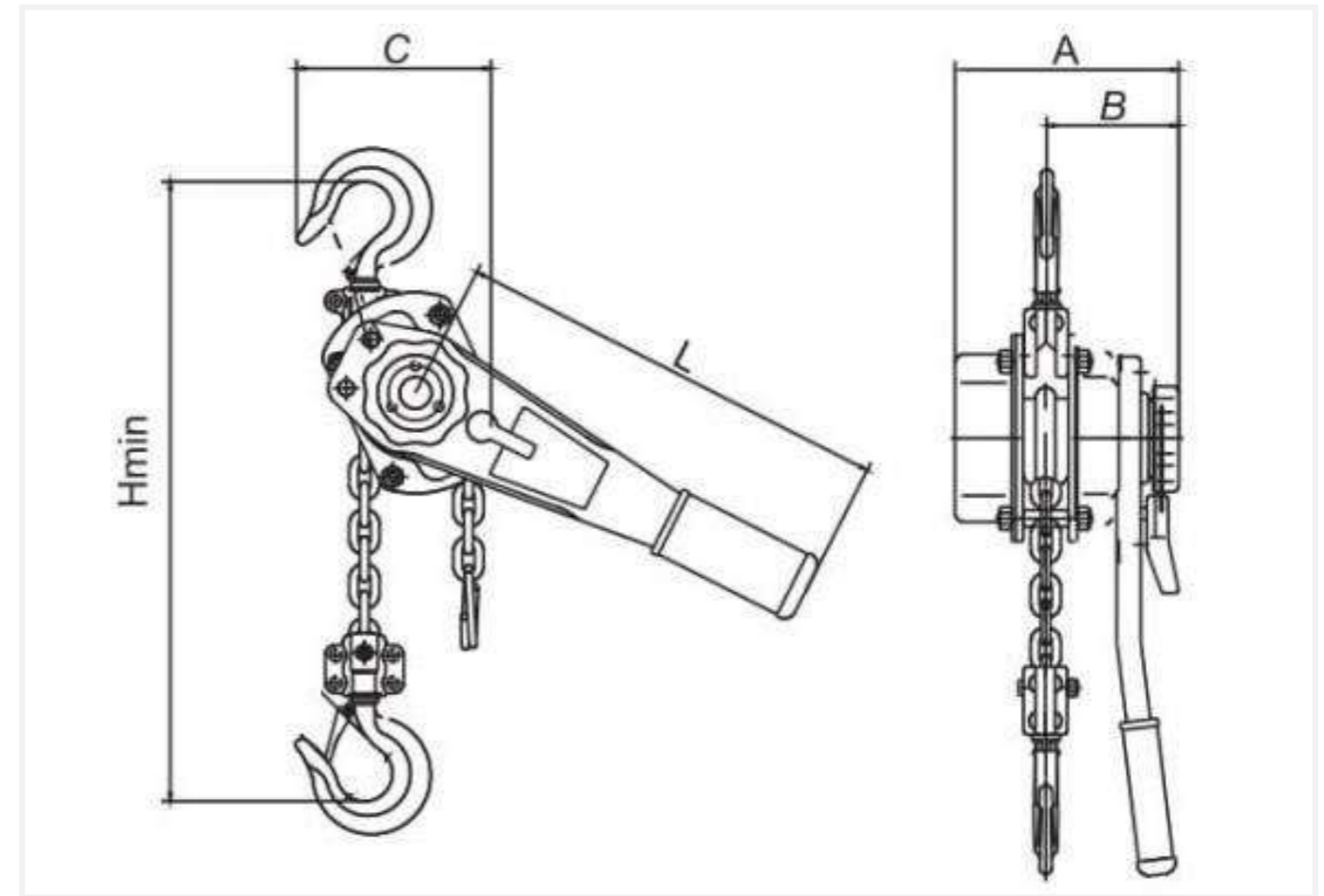
- Load from 0.25 to 9 Tons
- The LMLH manual lever hoist is a compact unit
- For lifting, pulling and sliding. Especially suitable for industrial use

### Technical features

- Choice of frust, compact, lightweight, easy handling units
- Standard chain lengths 1.5 mtrs and Non-standard chain length available on request.
- LMLH can be used in any position, simply switch the lever to make the hoist easier to handle.
- LMLH comes with asbestos Free Friction Disc
- LMLH comes with Automatic double pawl braking system
- Reinforced casing effectively protects mechanisms
- High resistance industrial powder coating meets ROHS requirements
- Extra safe, light weight and low maintenance
- High strength GR 80 alloy load chain with black finish
- 1500 cycle life test meets ANSI B30-21, AS1418 standards
- Factor of safety-4:1
- Proof Load- 1.5WLL



## Lever Hoist- LMLH



## Lever Hoist Specifications

| Model No  | Capacity (Kg) | Standard Lift(m) | Running Test Load (KN) | Effort Required to Lift (N) | Dia of Load Chain (mm) | No of Falls | Dimension |     |     |     |     | Net Weight | Extra Weight Per Meter of extra lift (KG) |
|-----------|---------------|------------------|------------------------|-----------------------------|------------------------|-------------|-----------|-----|-----|-----|-----|------------|---|
|           |               |                  |                        |                             |                        |             | A         | B   | C   | H   | L   |            |   |
| LMLH-0.25 | 0.25          | 1                | 3.75                   | 250                         | 4                      | 1           | 92        | 72  | 85  | 230 | 160 | 1.8        | 0.41                                      |
| LMLH-0.5  | 0.5           | 1.5              | 7.5                    | 340                         | 5                      | 1           | 105       | 78  | 80  | 260 | 300 | 4          | 0.52                                      |
| LMLH-0.75 | 0.75          | 1.5              | 11.2                   | 140                         | 6                      | 1           | 153       | 86  | 130 | 295 | 315 | 7.5        | 0.8                                       |
| LMLH-01   | 1             | 1.5              | 15                     | 185                         | 6                      | 1           | 153       | 96  | 130 | 295 | 315 | 7.5        | 0.8                                       |
| LMLH-1.5  | 1.5           | 1.5              | 22.5                   | 230                         | 7.1                    | 1           | 166       | 100 | 150 | 335 | 365 | 9.5        | 1.1                                       |
| LMLH-02   | 2             | 1.5              | 30                     | 251                         | 8                      | 1           | 175       | 105 | 160 | 385 | 368 | 15.5       | 1.4                                       |
| LMLH-03   | 3             | 1.5              | 45                     | 385                         | 10                     | 1           | 195       | 112 | 202 | 450 | 365 | 16.5       | 2.2                                       |
| LMLH-06   | 6             | 1.5              | 75                     | 385                         | 10                     | 2           | 195       | 112 | 242 | 550 | 365 | 27         | 4.4                                       |
| LMLH-09   | 9             | 1.5              | 135                    | 390                         | 10                     | 3           | 195       | 112 | 312 | 660 | 365 | 40         | 6.6                                       |



# WIRE ROPE PULLER

Model: LMRW

Loads from 0.8 to 5.4 Tons

Wire rope pullers are portable manual hoist used with wire rope. They can be used to lift, pull and position loads over great distances depending on the wire rope length. They are suitable for use in numerous configurations and the ideal solution for use in professional applications. They are operated by a simple lever option and the load capacity of the wire rope puller system can be increased by using

## Technical Features

- Low weight – Quick installation
- Standard cable length – 20 Mtrs, Non standard
- Cable length also available
- Manageable, Robust and Powerful
- Increase load capacity with deflection sheaves
- Overload protection
- Precise load placement within millimeters



## No Wheels Or Gears Required

- Two jaws alternately pull the wire rope and the load in the required direction, just like pulling on a rope with both hands
- The jaws are self-clamping, providing immediate and gradual safety
- The heavier the load, the tighter they clamp

## Multifunction

- Work can be performed in any position; horizontal, vertical or at an angle
- There is no limit to the length of wire rope

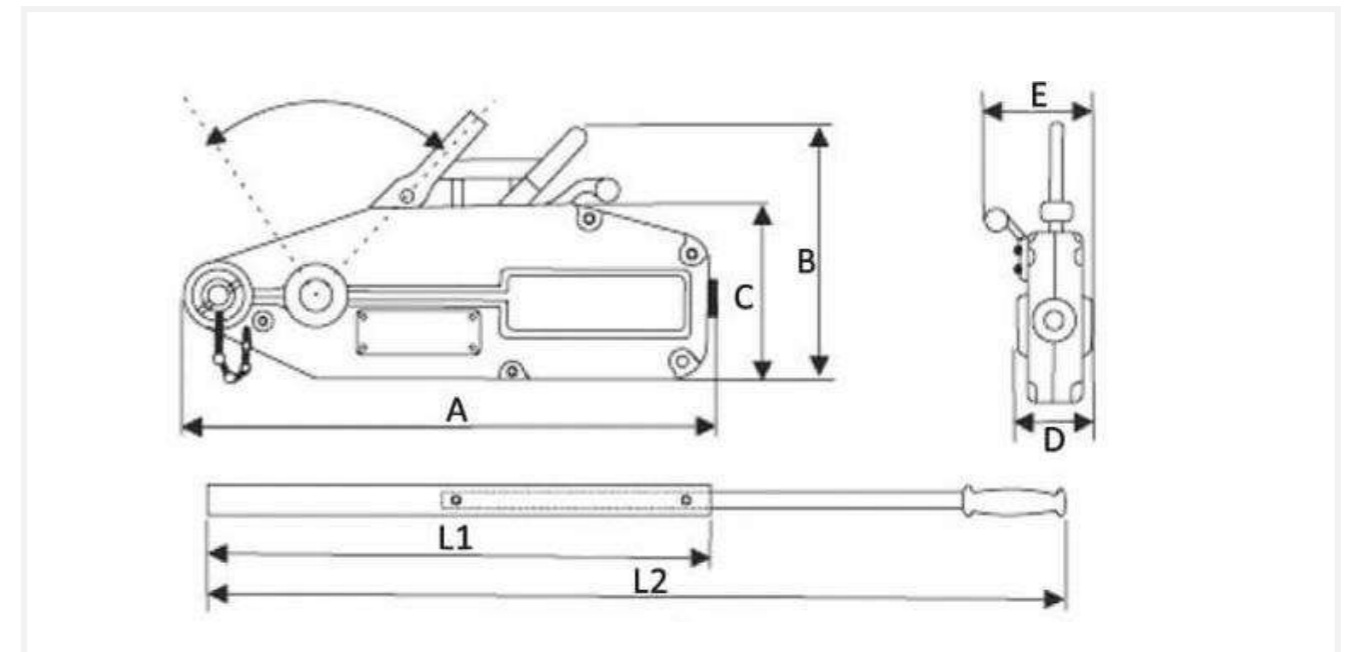
## Safety And Reliable

- Constant control of the load during lifting and lowering with accuracy to within one millimeter
- When stationary, the load is automatically distributed between the two jaw units
- Overload safety device

## Increased Capacity

- Using the sheave block technique, the capacity of the Wire rope puller can be increased by a factor of 2, 3, 4 or more

## Wire Rope Puller



## Wire Rope Puller Specifications

| Model    | Rated Capacity (Tons) | Pulling Capacity (Tons) | Rated Forward Travel (mm) | Efficient Length of forward handle (mm) | Rope Dia (mm) | Standard Length of Rope | Net Weight (Kg) | Rated forward Hand power (N) | Max overall size (mm) |
|----------|-----------------------|-------------------------|---------------------------|---|---------------|-------------------------|-----------------|------------------------------|-----------------------|
| LMRW-0.8 | 0.8                   | 1.2                     | >=52                      | 825                                     | 8.3           | 20                      | 16              | <=341                        | 426x238x64            |
| LMRW-1.6 | 1.6                   | 2.4                     | >=55                      | 1200                                    | 11            | 20                      | 24              | <=400                        | 545 x284x97           |
| LMRW-3.2 | 3.2                   | 4.8                     | >=28                      | 1200                                    | 16            | 20                      | 32              | <=438                        | 660x325x98            |
| LMRW-5.4 | 5.4                   | 8.1                     | >=25                      | 1200                                    | 20            | 20                      | 90              | <=550                        | 930 x390 x150         |



# LOAD BINDER



## Ratcht Load Binder

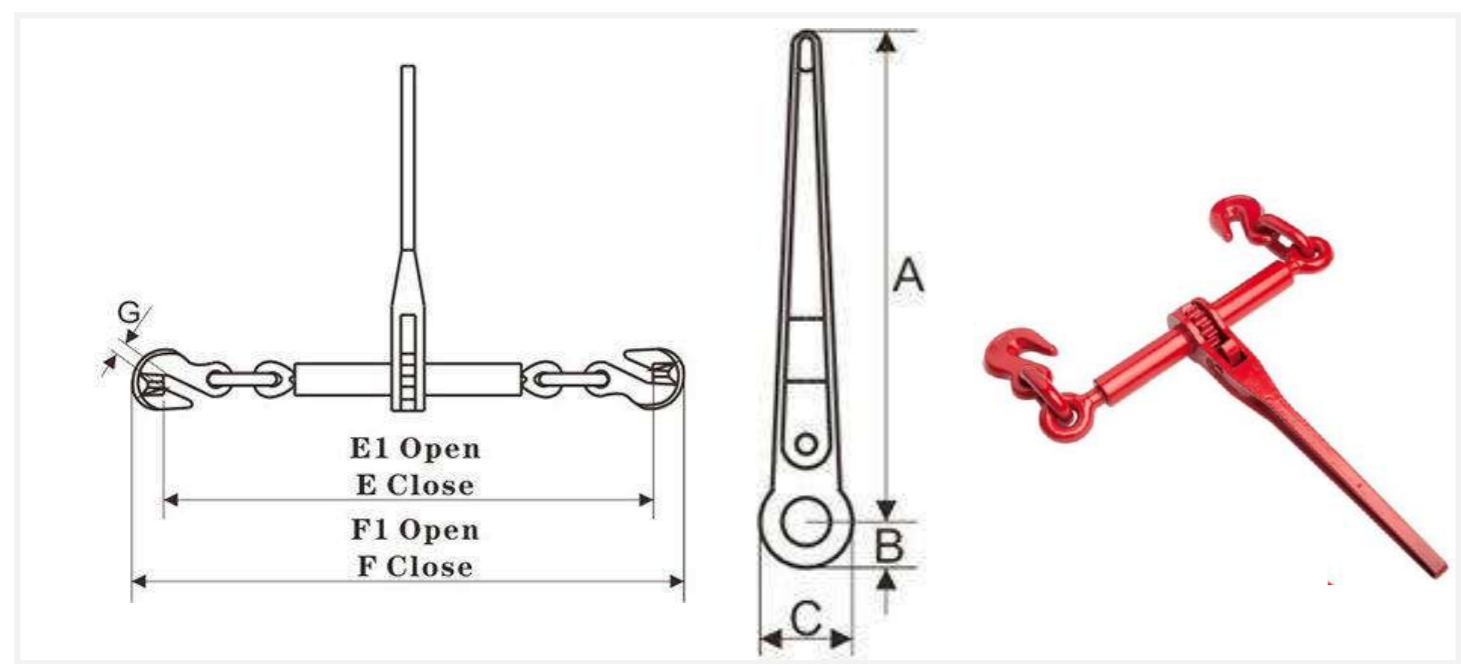
Model: LMLB(R)

### TECHNICAL FEATURES

- Safety, reliable design for easy operation
- Designed for heavy duty transport use
- High quality drop forged and heat treated for extra strength
- Each binder individually proof tested

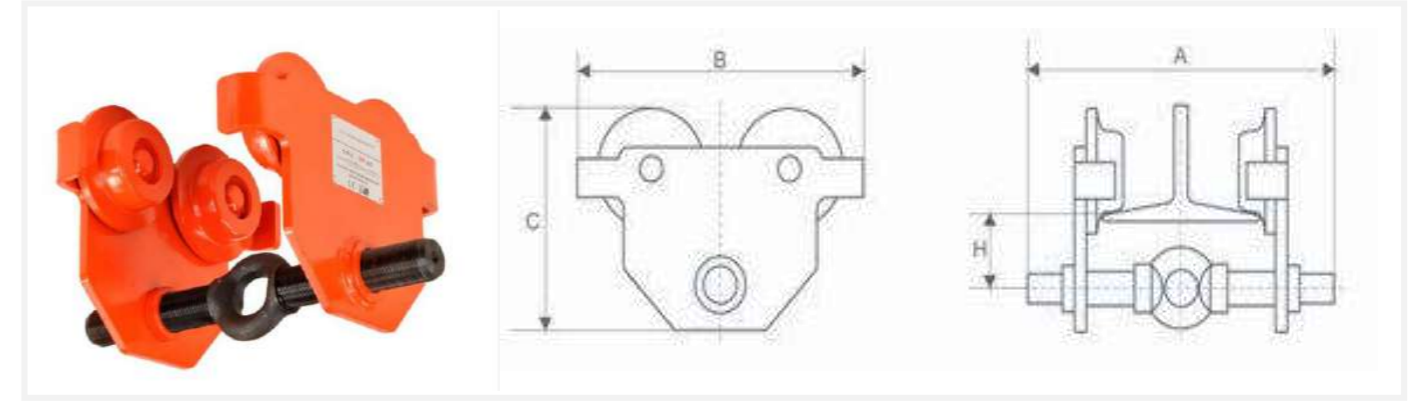
## Ratchet type loadbinder specification

| Model      | Chain size (in) | WLL (Tons) | Proof Load (Tons) | Min Ultimate Load (Tons) | Wt Kg | Handle Length (in) | Dimension(in) |      |      |      |      |      |      |
|------------|-----------------|------------|-------------------|--------------------------|-------|--------------------|---------------|------|------|------|------|------|------|
|            |                 |            |                   |                          |       |                    | A             | B    | C    | E    | E1   | F    | F1   |
| LMLB(R-02) | 1/4"-5/16"      | 1.3        | 2.6               | 3.9                      | 1.6   | 7.16               | 7.16          | 0.89 | 1.77 | 16.2 | 21.2 | 17.7 | 22.8 |
| LMLB(R-05) | 5/16"-3/8"      | 2.7        | 5.4               | 9.5                      | 4.75  | 13.42              | 13.9          | 1.3  | 2.6  | 22.6 | 30.6 | 25.2 | 33.2 |
| LMLB(R-09) | 3/8"-1/2"       | 4.6        | 9.2               | 16.5                     | 5.85  | 13.92              | 13.9          | 1.3  | 2.6  | 24.1 | 32.1 | 27   | 35   |
| LMLB(R-11) | 1/2"-5/8"       | 5.5        | 11                | 23                       | 6.52  | 13.92              | 13.9          | 1.3  | 2.6  | 26.4 | 34.4 | 30   | 38   |



## Plain Trolley

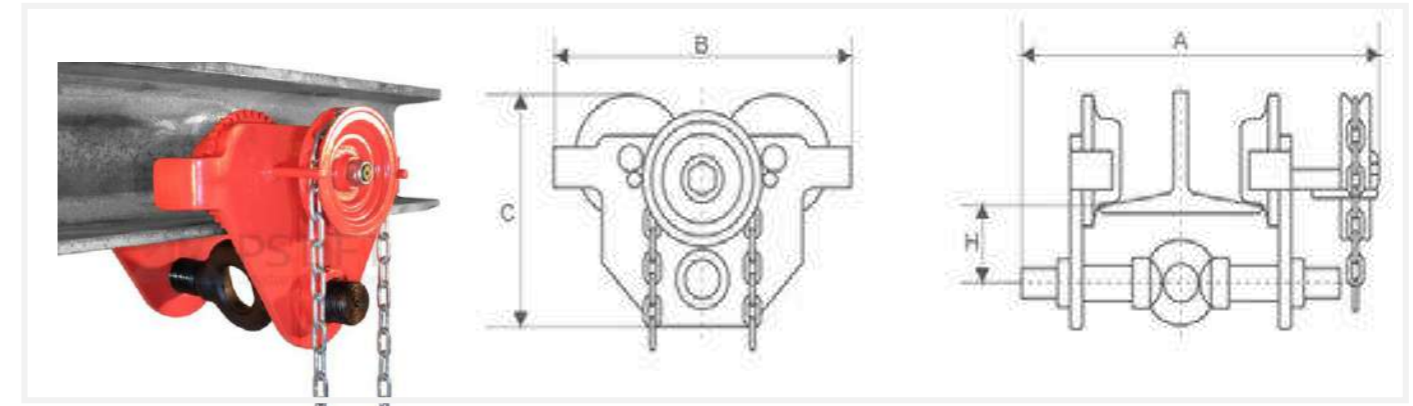
Model: LMPT



| Model No | WLL (Tons) | I-Beam Width (mm) | Min turning Radius (m) | N.W/KGS | A (mm) | B (mm) | (mm) | H (mm) |
|----------|------------|-------------------|------------------------|---------|--------|--------|------|--------|
| LMPT-50  | 0.5        | 50-220            | 0.9                    | 5.5     | 290    | 212    | 166  | 67     |
| LMPT-01  | 1          | 58-220            | 1.0                    | 8.7     | 300    | 238    | 189  | 74     |
| LMPT-02  | 2          | 66-220            | 1.1                    | 14.6    | 300    | 277    | 220  | 92     |
| LMPT-03  | 3          | 74-220            | 1.3                    | 24.5    | 321    | 330    | 283  | 119    |
| LMPT-05  | 5          | 90-220            | 1.4                    | 34.5    | 415    | 346    | 305  | 126    |

## Geared Trolley

Model: LMGT



| Model No | WLL (Tons) | I-Beam width (mm) | Min turning radius (m) | N.W/KGS | A (mm) | (mm) | C (mm) | H (mm) |
|----------|------------|-------------------|------------------------|---------|--------|------|--------|--------|
| LMGT -50 | 0.5        | 50-220            | 0.9                    | 9       | 352.5  | 212  | 166    | 67     |
| LMGT -01 | 1          | 58-220            | 1.0                    | 12.6    | 353.5  | 238  | 189    | 74     |
| LMGT -02 | 2          | 66-220            | 1.1                    | 18.5    | 355    | 270  | 220    | 92     |
| LMGT -03 | 3          | 74-220            | 1.3                    | 30      | 400    | 330  | 283    | 119    |
| LMGT -05 | 5          | 90-220            | 1.4                    | 41      | 420    | 346  | 305    | 126    |

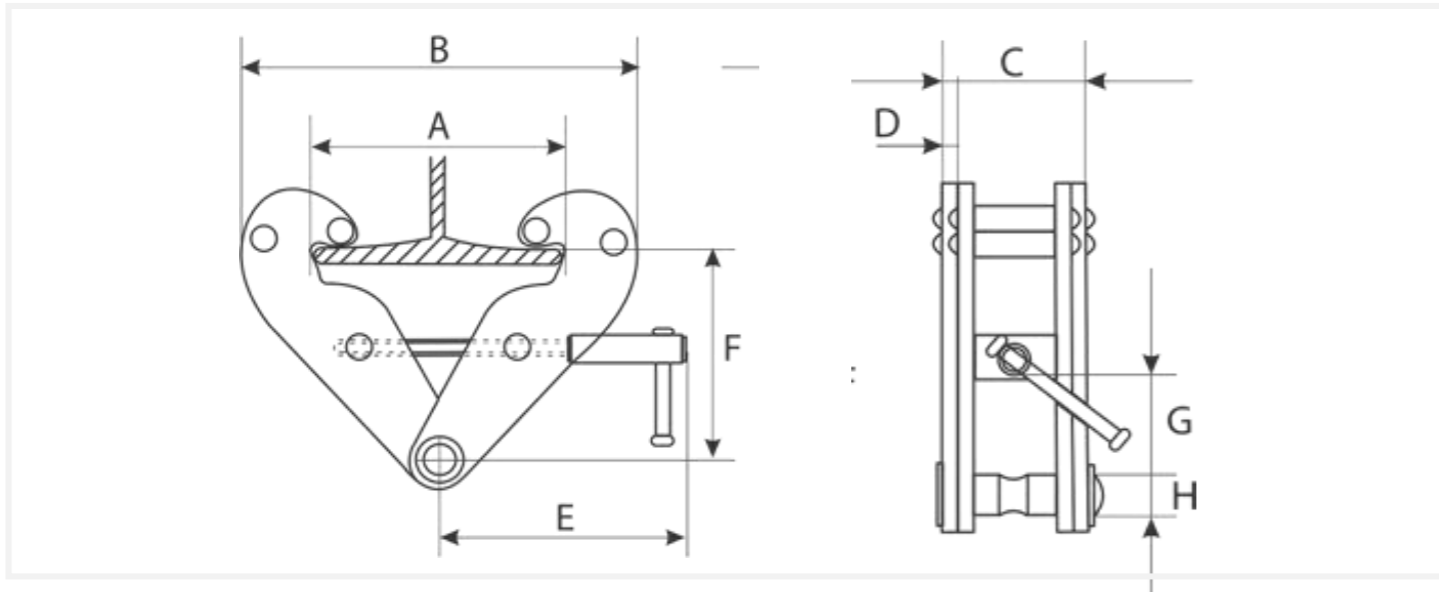
## BEAM CLAMP

### Beam Clamp

Model: LMBC

#### TECHNICAL FEATURES

- Flexible application due to wide adjustment range
- Gives quick and versatile rigging for hoisting equipment, pulley blocks or loads
- The central threaded spindle allows easy attachment and a safe secure grip.
- Spindle can be secured against loosening.



#### Beam Clamp Specifications

| Model No | WLL (Tons) | Jaw Opening (mm) | A        |          | B        |          | C (mm) | D (mm) | E (mm) | F        |          | G        |          | H (mm) |
|----------|------------|------------------|----------|----------|----------|----------|--------|--------|--------|----------|----------|----------|----------|--------|
|          |            |                  | Min (mm) | Max (mm) | Min (mm) | Max (mm) |        |        |        | Min (mm) | Max (mm) | Min (mm) | Max (mm) |        |
| LMBC-01  | 01         | 75-220           | 70       | 300      | 165      | 385      | 67     | 4      | 230    | 70       | 160      | 16       | 70       | 22     |
| LMBC-02  | 02         | 75-220           | 70       | 300      | 165      | 385      | 75     | 6      | 230    | 70       | 160      | 16       | 70       | 22     |
| LMBC-03  | 03         | 80-320           | 70       | 388      | 230      | 508      | 100    | 8      | 265    | 130      | 230      | 32       | 110      | 25     |
| LMBC-05  | 05         | 80-320           | 70       | 388      | 230      | 508      | 108    | 10     | 265    | 130      | 230      | 32       | 110      | 25     |
| LMBC-10  | 10         | 90-320           | 82       | 440      | 270      | 590      | 117    | 12     | 325    | 170      | 275      | 60       | 135      | 35     |
| LMBC-20  | 20         | 90-320           | 105      | 485      | 385      | 710      | 135    | 16     | 365    | 220      | 330      | 70       | 170      | 54     |

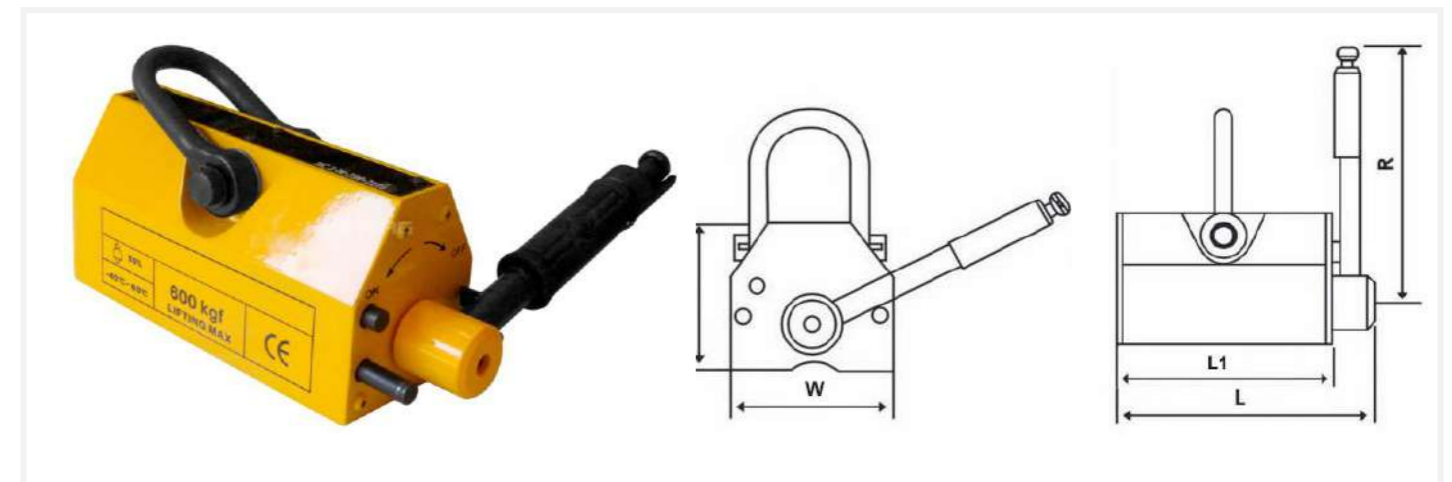
## MAGNETIC LIFTER

### Permanent Type Magnetic Lifter

Model: LM-PML

#### Technical Features

This permanent magnets operate independently of a power supply. Due to the specific arrangement of a group of permanent magnets, the magnet field lines act on the magnet pole and the load, or are deflected in the magnet housing so that the poles are not magnetized. In position "ON", the magnetic field lines are guided via the poles through the load. The magnet is active. In position "OFF", the magnet pole surfaces are neutral and the magnet is therefore switched off. The load lifting magnet consists of individual standardized components. The inside of the magnet comprises the actual magnet system consisting of a reversing magnet system, the magnet assembly and the magnet poles.



#### Permanent Type Magnetic Lifter Specifications

| Model No   | WLL (Kg) | Cylindrical Lifting Capacity (Kg) | Max Pull-off Strength (Kg) | N.W/KGS | L (mm) | B (mm) | H (mm) | R (mm) |
|------------|----------|-----------------------------------|----------------------------|---------|--------|--------|--------|--------|
| LM-PML(01) | 100      | 30                                | 350                        | 3       | 62     | 92     | 70     | 145    |
| LM-PML(03) | 300      | 100                               | 1050                       | 10      | 92     | 162    | 96     | 180    |
| LM-PML(05) | 500      | 150                               | 1750                       | 20      | 120    | 216    | 118    | 220    |
| LM-PML(06) | 600      | 200                               | 2100                       | 24      | 122    | 232    | 120    | 220    |
| LM-PML(10) | 1000     | 300                               | 3500                       | 50      | 176    | 258    | 163    | 285    |
| LM-PML(20) | 2000     | 600                               | 7000                       | 125     | 234    | 378    | 212    | 465    |
| LM PML(30) | 3000     | 1000                              | 10500                      | 220     | 286    | 458    | 261    | 565    |



# LIFTING CHAIN

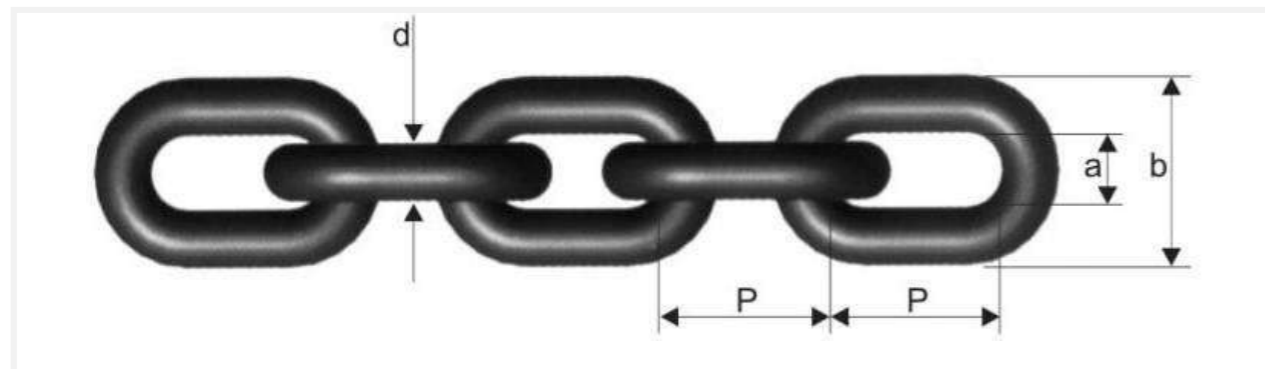
# CARGO LASHING

## G-80 Lifting Chain Specification

Model: LMCH

### TECHNICAL FEATURES

- High quality alloy steel chain
- Surface finish: self-color, black finish
- Proof load: 200% WLL
- Factor of safety is 4:1
- Confirming to standard EN 818-2



| Part No. | Size (mm) | Width(mm)     |                | WLL (Tons) | Test Load KN | Min Breaking Load KN | Weight Kg/m |
|----------|-----------|---------------|----------------|------------|--------------|----------------------|-------------|
|          |           | Inside min(a) | Outside max(b) |            |              |                      |             |
| LMCH-06  | 6X18      | 7.5           | 21             | 1.1        | 27           | 45.2                 | 0.79        |
| LMCH-08  | 8X24      | 10            | 28             | 2          | 48           | 80.4                 | 1.38        |
| LMCH-10  | 10X30     | 12.5          | 35             | 3.2        | 76           | 125                  | 2.2         |
| LMCH-13  | 13X39     | 18            | 44             | 5.4        | 128          | 214                  | 3.8         |
| LMCH-16  | 16X48     | 20            | 56             | 8.2        | 192          | 320                  | 5.63        |
| LMCH-16  | 16X49     | 24.5          | 59.5           | 8.2        | 192          | 320                  | 8.71        |
| LMCH-16  | 16X64     | 23.9          | 58.9           | 8.2        | 246          | 320                  | 5.11        |
| LMCH-18  | 18X54     | 23            | 63             | 10         | 246          | 410                  | 6.85        |
| LMCH-18  | 18X64     | 21            | 60             | 10         | 246          | 410                  | 6.6         |
| LMCH-20  | 20X60     | 25            | 70             | 12.8       | 300          | 450                  | 8.6         |
| LMCH-22  | 22X65     | 28            | 74.2           | 15.4       | 366          | 610                  | 10.7        |
| LMCH-22  | 22X66     | 28            | 77             | 15.4       | 366          | 610                  | 10.2        |
| LMCH-22  | 22X86     | 26            | 74             | 15.4       | 366          | 610                  | 9.5         |
| LMCH-26  | 26X28     | 35            | 91             | 21.6       | 510          | 850                  | 14.87       |
| LMCH-26  | 26X92     | 30            | 86             | 21.6       | 510          | 850                  | 13.7        |
| LMCH-32  | 32X96     | 40            | 106            | 32.7       | 772          | 1286                 | 22.29       |

## Cargo Lashing Belt

Model: LM-CLB

### Technical features

- 100% High tenacity of polyester lashing strap
- Low elongation
- Width available : 1" - 4"
- Standard length : 10 mtrs and also can be customized on requirement
- Breaking strength scope : 1T - 10T
- Meets standard EN 12195-2
- End fitting-Double J Hook, Fasteners-Ratchet



## Clevis Sling Hook With Latch Specifications

| Model No.  | Webbing width (inch) | M Breaking Load (Tons) | Lashing Capacity (Tons) |
|------------|----------------------|------------------------|-------------------------|
| LM-CLB(01) | 1"                   | 1.0                    | 0.5                     |
| LM-CLB(04) | 2"                   | 5.0                    | 2.5                     |
| LM-CLB(08) | 3"                   | 8.0                    | 4.0                     |
| LM-CLB(10) | 4"                   | 10.0                   | 5.0                     |



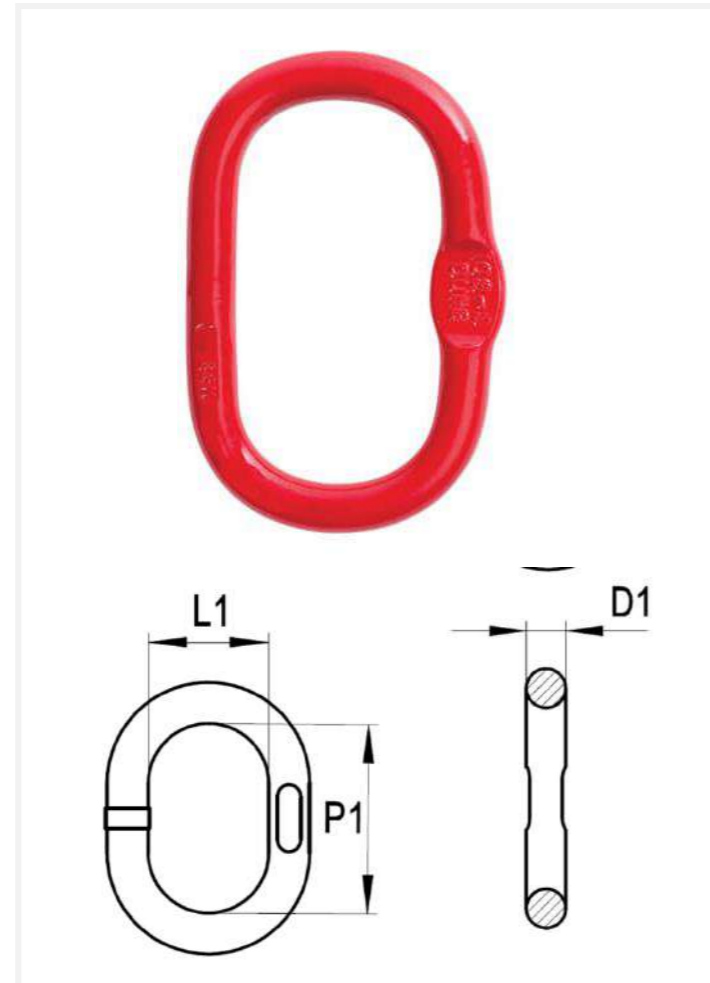
## MASTER LINK

### Master Link

#### Model: LMML

##### Technical features

- Forged or welded super alloy steel
- Suitable for use with Gr.80 chain
- Meets standard EN 1677
- Used for 1 or 2 legs wire rope/chain slings
- Individually proof tested at 2.5 times of the working load limit
- Factor of safety is 4:1



### Master Link Specifications

| Model No   | Weight (kg) | WLL(Ton) | A   | B   | C  | S  | H  |
|------------|-------------|----------|-----|-----|----|----|----|
| LMML -13B5 | 0.3         | 2.6      | 95  | 51  | 13 | 7  | 50 |
| LMML -13B6 | 0.35        | 2.4      | 115 | 60  | 13 | 7  | 50 |
| LMML -16B6 | 0.6         | 3.8      | 120 | 70  | 16 | 9  | 70 |
| LMML -16B7 | 0.86        | 2.8      | 190 | 100 | 16 | 9  | 70 |
| LMML -20B6 | 1.1         | 6.4      | 150 | 80  | 20 | 11 | 50 |
| LMML -20B7 | 1.25        | 5.8      | 170 | 90  | 20 | 11 | 70 |
| LMML -22B6 | 1.53        | 7.6      | 170 | 90  | 22 | 12 | 70 |
| LMML -22B7 | 1.83        | 6.4      | 210 | 110 | 22 | 12 | 70 |
| LMML -25B6 | 2.21        | 10       | 190 | 100 | 25 | 13 | 80 |
| LMML -28B6 | 3.06        | 12.7     | 210 | 110 | 28 | 15 | 80 |
| LMML -28B7 | 3.81        | 10.5     | 270 | 140 | 28 | 15 | 70 |
| LMML -32B6 | 5.05        | 15.2     | 270 | 140 | 32 | 17 | 70 |
| LMML -38B6 | 7.3         | 25.1     | 270 | 140 | 38 | 20 | 55 |
| LMML -38B7 | 10.78       | 17       | 420 | 220 | 38 | 20 | 55 |
| LMML -45B6 | 12.2        | 34       | 320 | 170 | 45 | 24 | 60 |
| LMML -45B7 | 17.06       | 24.5     | 470 | 250 | 45 | 24 | 60 |
| LMML -50B6 | 17.65       | 40       | 380 | 200 | 50 | -  | -  |
| LMML -60B6 | 28.85       | 58       | 430 | 220 | 60 | -  | -  |
| LMML -70B6 | 45.48       | 84       | 500 | 250 | 70 | -  | -  |

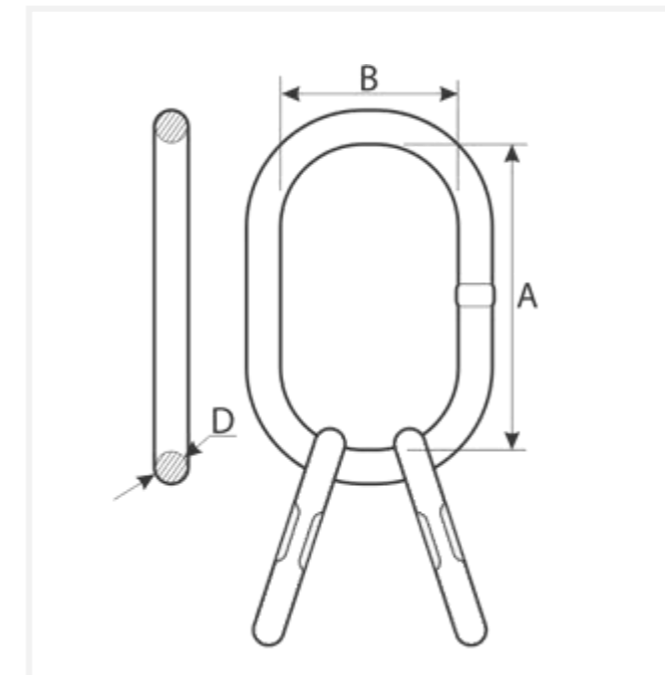
## MASTER LINK ASSEMBLY

### Master Link Assembly

#### Model: LMMA

##### Technical features

- Forged or welded super alloy steel
- Suitable for use with Gr.80 chain
- Meets standard EN 1677
- Uses for 3 or 4 legs wire rope/chain slings
- Individually proof tested at 2.5 times working load limit
- Factor of safety is 4:1



### Master Link Specifications

| Model No | Weight (kg) | WLL(Ton) | A   | B   | D  | a   | b   | d  |
|----------|-------------|----------|-----|-----|----|-----|-----|----|
| LMMA -16 | 1.19        | 3.8      | 120 | 70  | 16 | 95  | 51  | 13 |
| LMMA -20 | 2.41        | 5.8      | 170 | 90  | 20 | 120 | 70  | 16 |
| LMMA -22 | 3.77        | 7.6      | 170 | 90  | 22 | 150 | 80  | 20 |
| LMMA -25 | 4.45        | 10       | 190 | 100 | 25 | 150 | 80  | 20 |
| LMMA -28 | 6.12        | 12.7     | 210 | 110 | 28 | 170 | 90  | 22 |
| LMMA -32 | 9.47        | 15.2     | 270 | 140 | 32 | 190 | 100 | 25 |
| LMMA -38 | 17.4        | 25       | 270 | 140 | 38 | 270 | 140 | 32 |
| LMMA -45 | 26.76       | 34       | 320 | 170 | 45 | 270 | 140 | 38 |

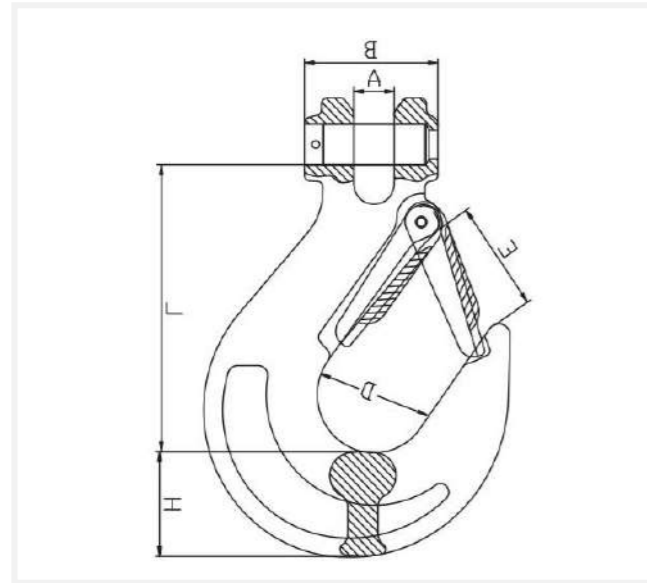
**CLEVIS HOOK**

**Clevis Sling Hook With Latch**

Model: LM-CSH

Technical features

- Forged super alloy steel – Quenched & Tempered
- Fatigue tested at 1.5 times the WLL for 2000 cycles
- Designed to use for Gr.80 alloy steel chain
- Meets standard EN 818-2
- Individually proof tested at 2.5 times working load limit
- Factor of safety is 4:1
- 100% Magnaflux crack detection



**Clevis Sling Hook With Latch Specifications**

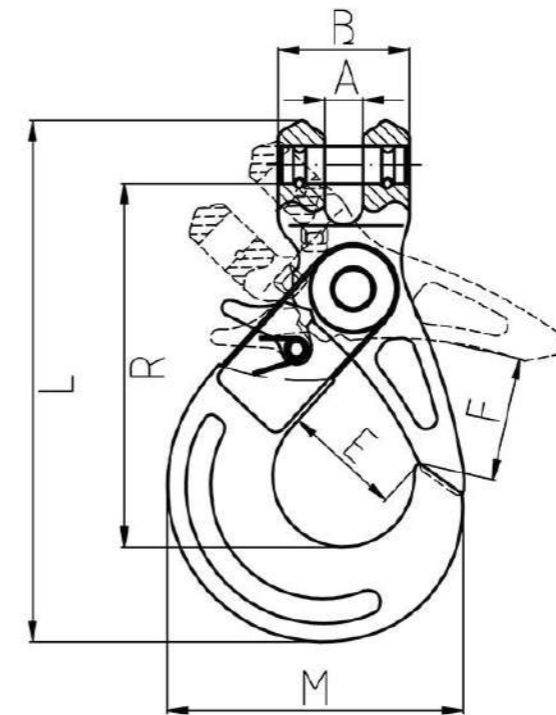
| Model No   | WLL (Tons) | A (mm) | B (mm) | H (mm) | E (mm) | L (mm) | Net Wt (Kg) |
|------------|------------|--------|--------|--------|--------|--------|-------------|
| LM-CSH(08) | 2          | 9.5    | 37     | 32     | 29     | 118    | 0.52        |
| LM-CSH(10) | 3.15       | 13     | 50     | 35     | 39     | 139    | 1.05        |
| LM-CSH(13) | 5.3        | 16.5   | 56     | 43     | 47     | 170    | 2           |
| LM-CSH(16) | 8          | 21.5   | 70     | 54     | 55     | 204    | 3.7         |
| LM-CSH(20) | 12.5       | 24     | 75     | 58     | 61     | 238    | 6           |
| LM-CSH(22) | 15         | 27     | 91     | 62     | 72     | 275    | 10.4        |
| LM-CSH(26) | 21.2       | 30     | 118    | 74     | 85     | 325    | 14.5        |
| LM-CSH(32) | 31.5       | 55     | 149    | 86     | 106    | 405    | 27          |

**Clevis Self Locking Hook**

Model: LM-CSL

Technical features

- Forged or welded super alloy steel
- Fatigue tested at 1.5 times the WLL for 2000 cycles
- Suitable for use with Gr.80 alloy steel chain
- Meets standard EN 1667
- All clevis self-locking hook are Individually proof tested at 2.5 times working load limit
- Factor of safety is 4:1
- 100% Magnaflux crack detection



**Clevis Self Locking Hook Specifications**

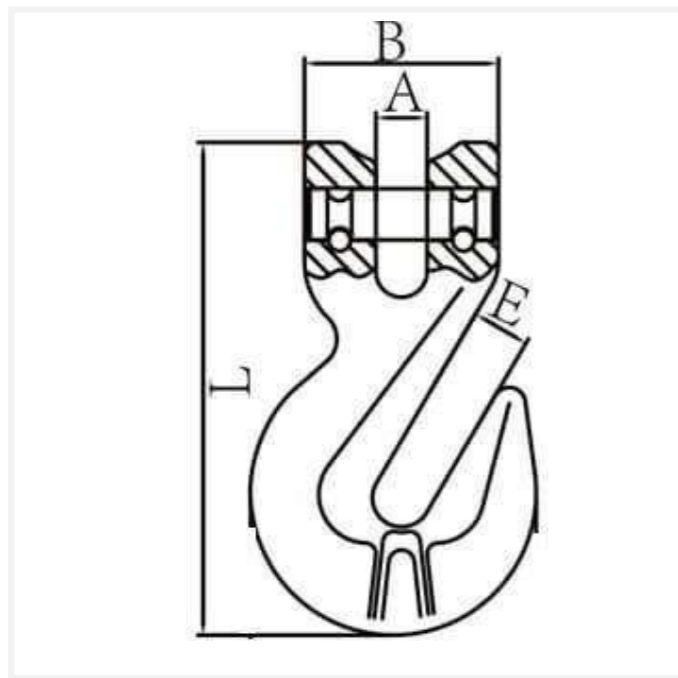
| Model No   | WLL (Tons) | A (mm) | B (mm) | F (mm) | E (mm) | L (mm) | R (mm) | Net Wt (Kg) |
|------------|------------|--------|--------|--------|--------|--------|--------|-------------|
| LM-CSL(08) | 2          | 9.5    | 38     | 40     | 35     | 160    | 120    | 0.8         |
| LM-CSL(10) | 3.15       | 12     | 46     | 52     | 46     | 195    | 140    | 1.5         |
| LM-CSL(13) | 5.3        | 15     | 59     | 62     | 52     | 250    | 180    | 2.8         |
| LM-CSL(16) | 8          | 18     | 77     | 66     | 64     | 310    | 225    | 5.6         |
| LM-CSL(20) | 12.5       | 24     | 77     | 81     | 85     | 335    | 240    | 7.5         |
| LM-CSL(22) | 15         | 24     | 97     | 84     | 74     | 390    | 277    | 11.5        |
| LM-CSL(26) | 21.2       | 31     | 113    | 105    | 95     | 450    | 312    | 18.5        |
| LM-CSL(32) | 31.5       | 35     | 150    | 140    | 134    | 590    | 415    | 45          |

# GRAB HOOK

Model: LMCG8

Technical features

- Forged or welded super alloy steel
- Fatigue tested at 1.5 times the WLL for 2000 cycles
- Suitable for use with Gr.80 alloy steel chain
- All load pins are 100 Individually inspected and tested
- Meets standard EN 1667
- All clevis self-locking hook are Individually proof tested at 2.5 times working
- Factor of safety is 4:1
- 100% Magnaflux crack detection



Clevis Self Locking Hook Specifications

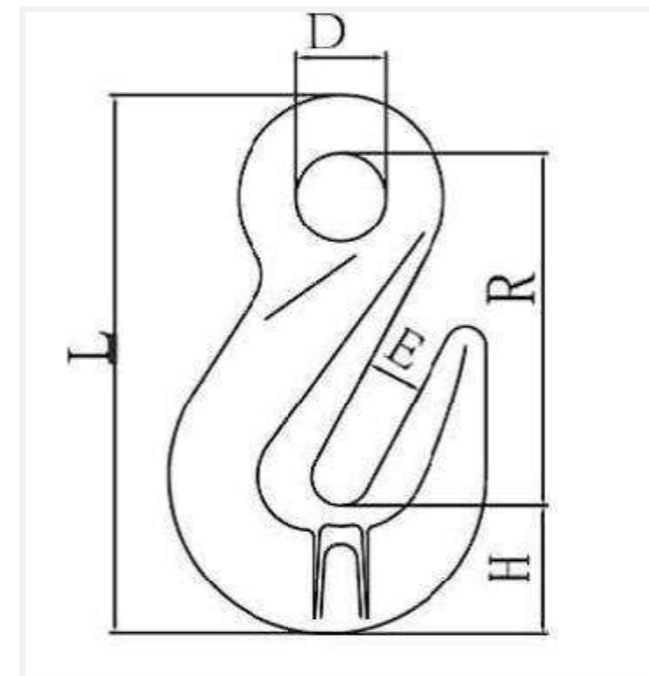
| Model No   | WLL (Tons) | A (mm) | B (mm) | F (mm) | E (mm) | L (mm) | R (mm) | Net Wt (Kg) |
|------------|------------|--------|--------|--------|--------|--------|--------|-------------|
| LM-CSL(08) | 2          | 9.5    | 38     | 40     | 35     | 160    | 120    | 0.8         |
| LM-CSL(10) | 3.15       | 12     | 46     | 52     | 46     | 195    | 140    | 1.5         |
| LM-CSL(13) | 5.3        | 15     | 59     | 62     | 52     | 250    | 180    | 2.8         |
| LM-CSL(16) | 8          | 18     | 77     | 66     | 64     | 310    | 225    | 5.6         |
| LM-CSL(20) | 12.5       | 24     | 77     | 81     | 85     | 335    | 240    | 7.5         |
| LM-CSL(22) | 15         | 24     | 97     | 84     | 74     | 390    | 277    | 11.5        |
| LM-CSL(26) | 21.2       | 31     | 113    | 105    | 95     | 450    | 312    | 18.5        |
| LM-CSL(32) | 31.5       | 35     | 150    | 140    | 134    | 590    | 415    | 45          |

## Eye Grab Hook

Model: LMEG8

Technical features

- Forged or welded super alloy steel
- Fatigue tested at 1.5 times the WLL for 2000 cycles
- Suitable for use with Gr.80 alloy steel chain
- Meets standard EN 1667
- All clevis self-locking hook are Individually proof tested at 2.5 times working load limit
- Factor of safety is 4:1
- 100% Magnaflux crack detection



Clevis Grab Hook Specifications

| Model No | WLL (Tons) | E (mm) | D (mm) | H (mm) | R (mm) | L (mm) | Net Wt |
|----------|------------|--------|--------|--------|--------|--------|--------|
| LMEG8-06 | 1.2        | 8      | 13     | 19     | 54     | 81     | 0.22   |
| LMEG8-08 | 2          | 9.5    | 15     | 23     | 64     | 98     | 0.31   |
| LMEG8-10 | 3.2        | 12.5   | 20     | 30     | 82     | 125    | 0.7    |
| LMEG8-13 | 5.4        | 17     | 25     | 42     | 106    | 165    | 1.8    |
| LMEG8-16 | 8.2        | 20     | 30     | 49     | 127    | 196    | 3.1    |
| LMEG8-20 | 12.8       | 23     | 34.5   | 56     | 152    | 231    | 4.1    |
| LMEG8-22 | 15.5       | 28     | 40.5   | 65     | 175    | 257    | 6.2    |

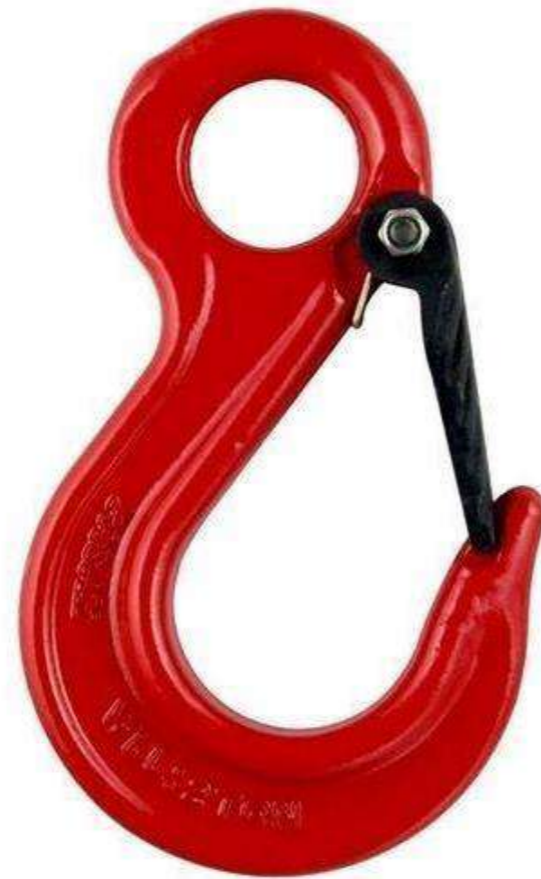
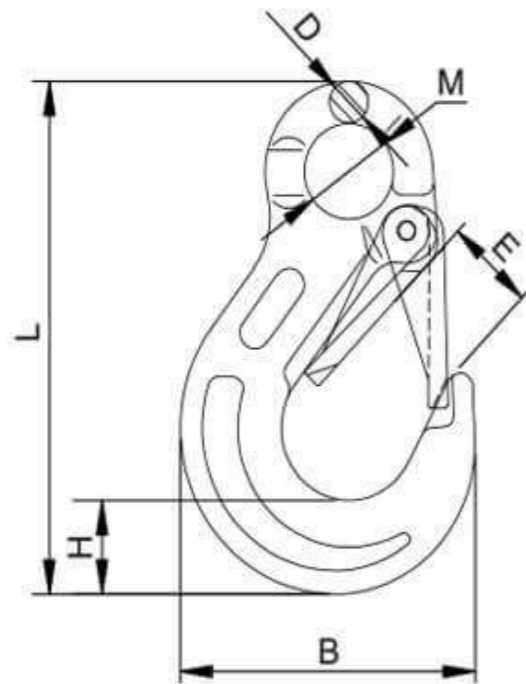
**EYE SLING**

**Eye Sling Hook With Latch**

Model: LM-ESH

Technical features

- Forged super alloy steel – Quenched & Tempered
- Fatigue tested at 1.5 times the WLL for 2000 cycles
- Designed to use for Gr.80 alloy steel chain
- Meets standard EN 818-2
- Individually proof tested at 2.5 times working load limit
- Factor of safety is 4:1
- 100% Magnaflux crack detection



**Clevis Sling Hook With Latch Specifications**

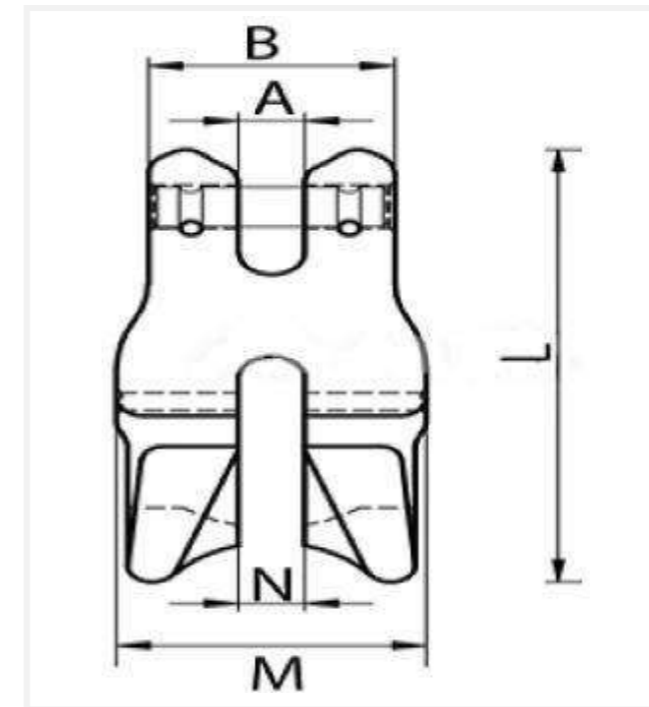
| Model No   | WLL (Tons) | M (mm) | D (mm) | E (mm) | L (mm) | (Kg) |
|------------|------------|--------|--------|--------|--------|------|
| LM-ESH(08) | 2          | 25     | 11     | 30     | 132    | 0.55 |
| LM-ESH(10) | 3.15       | 38     | 16     | 33     | 165    | 1.05 |
| LM-ESH(13) | 5.3        | 42     | 19     | 40     | 210    | 1.75 |
| LM-ESH(16) | 8          | 49     | 22     | 43     | 254    | 3.2  |
| LM-ESH(20) | 12.5       | 61     | 26     | 39     | 304    | 5.3  |
| LM-ESH(22) | 15         | 61     | 31     | 72     | 347    | 9.0  |
| LM-ESH(26) | 21.2       | 65     | 36     | 81     | 390    | 13   |
| LM-ESH(32) | 31.5       | 88     | 38     | 102    | 480    | 17   |

**Eye Sling Hook With Latch**

Model: LM-ESH

Technical features

- Forged super alloy steel – Quenched & Tempered
- Fatigue tested at 1.5 times the WLL for 2000 cycles
- Designed to use for Gr.80 alloy steel chain
- Meets standard EN 818-2
- Individually proof tested at 2.5 times working load limit
- Factor of safety is 4:1
- 100% Magnaflux crack detection



**Clevis Sling Hook With Latch Specifications**

| Model No   | WLL (Tons) | M (mm) | D (mm) | E (mm) | L (mm) | (Kg) |
|------------|------------|--------|--------|--------|--------|------|
| LM-ESH(08) | 2          | 25     | 11     | 30     | 132    | 0.55 |
| LM-ESH(10) | 3.15       | 38     | 16     | 33     | 165    | 1.05 |
| LM-ESH(13) | 5.3        | 42     | 19     | 40     | 210    | 1.75 |
| LM-ESH(16) | 8          | 49     | 22     | 43     | 254    | 3.2  |
| LM-ESH(20) | 12.5       | 61     | 26     | 39     | 304    | 5.3  |
| LM-ESH(22) | 15         | 61     | 31     | 72     | 347    | 9.0  |
| LM-ESH(26) | 21.2       | 65     | 36     | 81     | 390    | 13   |
| LM-ESH(32) | 31.5       | 88     | 38     | 102    | 480    | 17   |

**BOLT TYPE**

**LM 2130**



**Bolt Type Anchor Shackle**

Anchor Shackles Bolt Type, Forged Alloy Steel, High Tensile Strength.

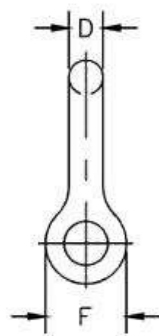
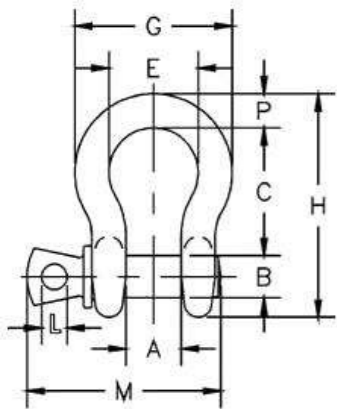
Finished : Anchor Shackles are supplied in hot dip gray galvanized.

Working Load Limit : Permanently shown on every Shackle.

Shackle Material : High Tensile Steel Forged – Quenched and Tempered, Grade 6.

Shackle Size : Capacities 1/3 thru 150 metric tons.

Meets the performance requirements of Federal Specification RR-C-271D Type IVA, Grade A, Class 2 and EN13889 except for those provisions required of the contractor.

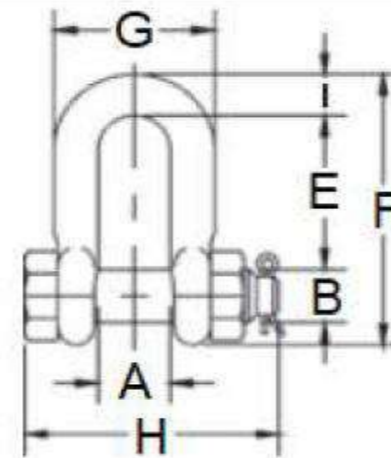
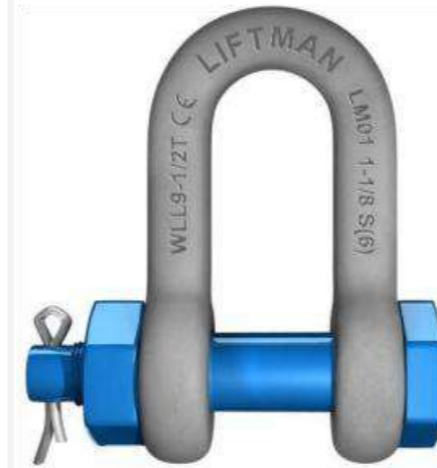


| Nominal Size | Working Load Limit | Dimensions (mm) |      |      |      |      |      |      |      |      | Weight each |
|--------------|--------------------|-----------------|------|------|------|------|------|------|------|------|-------------|
|              |                    | A               | B    | c    | D    | E    | F    | G    | H    | KG   |             |
| 3 / 16       | 1/3                | 9.65            | 6.35 | 22.4 | 4.85 | 15.2 | 14.2 | 37.2 | 24.9 | 0.03 |             |
| 1/4          | 1/2                | 11.9            | 7.85 | 28.7 | 6.35 | 19.8 | 15.5 | 46.7 | 32.5 | 0.05 |             |
| 5/ 16        | 3/4                | 13.5            | 9.65 | 31.0 | 7.85 | 21.3 | 19.1 | 53.0 | 37.3 | 0.10 |             |
| 3/ 8         | 1                  | 16.8            | 11.2 | 36.6 | 9.65 | 26.2 | 23.1 | 63.0 | 45.2 | 0.15 |             |
| 7/ 16        | 1-1/2              | 19.1            | 12.7 | 42.9 | 11.2 | 29.5 | 26.9 | 74.0 | 51.5 | 0.22 |             |
| 1/2          | 2                  | 20.6            | 16.0 | 47.8 | 12.7 | 33.3 | 30.2 | 83.5 | 58.5 | 0.36 |             |
| 5/8          | 3 -1/4             | 26.9            | 19.1 | 60.5 | 16.0 | 42.9 | 38.1 | 106  | 74.5 | 0.76 |             |
| 3/4          | 4 -3/4             | 31.8            | 22.4 | 71.5 | 19.1 | 51.0 | 46.0 | 126  | 89.0 | 1.23 |             |
| 7/8          | 6 -1/2             | 36.6            | 25.4 | 84.0 | 22.4 | 58.0 | 53.0 | 148  | 102  | 1.79 |             |
| 1            | 8 -1/2             | 42.9            | 28.7 | 95.5 | 25.4 | 68.5 | 60.5 | 167  | 119  | 2.57 |             |
| 1 -1/8       | 9 -1/2             | 46.0            | 31.8 | 108  | 28.7 | 74.0 | 68.5 | 190  | 131  | 3.75 |             |
| 1-1/4        | 12                 | 51.5            | 35.1 | 119  | 31.8 | 82.5 | 76.0 | 210  | 146  | 5.31 |             |
| 1-3/8        | 13 -1/2            | 57.0            | 38.1 | 133  | 35.1 | 92.0 | 84.0 | 233  | 162  | 7.18 |             |
| 1-1/2        | 17                 | 60.5            | 41.4 | 146  | 38.1 | 98.5 | 92.0 | 254  | 175  | 9.43 |             |
| 1-3/4        | 25                 | 73.0            | 51.0 | 178  | 44.5 | 127  | 106  | 313  | 225  | 15.4 |             |
| 2            | 35                 | 82.5            | 57.0 | 197  | 51.0 | 146  | 122  | 348  | 253  | 23.7 |             |
| 2-1/2        | 55                 | 105             | 70.0 | 267  | 66.5 | 184  | 145  | 453  | 327  | 44.6 |             |
| 3            | 85                 | 127             | 82.5 | 330  | 76.0 | 200  | 165  | 546  | 365  | 70   |             |
| 3- 1/2       | 120                | 133             | 95.5 | 372  | 92.0 | 229  | 203  | 626  | 419  | 120  |             |
| 4            | 150                | 140             | 108  | 368  | 104  | 254  | 229  | 653  | 468  | 153  |             |

\*Maximum Proof Load is 2 times the Working Load Limit.

\*Minimum Ultimate Strength is 6 times the Working Load Limit.

**LM 2150**



**Bolt Type Chain Shackle**

Chain Shackle Bolt Type, Forged Alloy Steel, High Tensile Strength.

Finished : Anchor Shackles are supplied in hot dip gray galvanized.

Working Load Limit : Permanently shown on every Shackle.

Shackle Material : High Tensile Steel Forged – Quenched and Tempered, Grade 6.

Shackle Size : Capacities 1/3 thru 85 metric tons.

Meets the performance requirements of Federal Specification RR-C-271D Type IVA, Grade A, Class 2 and EN13889 except for those provisions required of the contractor.

| Nominal Size | Working Load Limit | Dimensions (mm) |      |      |      |      |      |      |      |      | Weight each |
|--------------|--------------------|-----------------|------|------|------|------|------|------|------|------|-------------|
|              |                    | A               | B    | C    | D    | E    | F    | G    | H    | I    |             |
| 1/4"         | 1/2                | 11.9            | 7.85 | 6.35 | 15.5 | 19.1 | 40.4 | 24.6 | 39.6 | 6.35 | 0.06        |
| 5/16         | 3/4                | 13.5            | 9.65 | 7.85 | 19.1 | 25.4 | 48.5 | 29.5 | 46.2 | 7.85 | 0.10        |
| 3/8          | 1                  | 16.8            | 11.2 | 9.65 | 23.1 | 31.0 | 58.5 | 35.8 | 55.0 | 9.65 | 0.15        |
| 7/16         | 1-1/2              | 19.1            | 12.7 | 11.2 | 26.9 | 36.1 | 67.5 | 41.1 | 63.5 | 11.2 | 0.22        |
| 1/2          | 2                  | 20.6            | 16.0 | 12.7 | 30.2 | 41.4 | 77.0 | 46.0 | 71.0 | 12.7 | 0.34        |
| 5/8          | 3 -1/4             | 26.9            | 19.1 | 16.0 | 38.1 | 51.0 | 95.5 | 58.5 | 89.5 | 16   | 0.67        |
| 3/4          | 4 -3/4             | 31.8            | 22.4 | 19.1 | 46.0 | 60.5 | 115  | 70.0 | 103  | 20.6 | 1.14        |
| 7/8          | 6 -1/2             | 36.6            | 25.4 | 22.4 | 53.0 | 71.5 | 135  | 81.0 | 120  | 24.6 | 1.74        |
| 1            | 8 -1/2             | 42.9            | 28.7 | 25.4 | 60.5 | 81.0 | 151  | 93.5 | 135  | 25.4 | 2.52        |
| 1-1/8        | 9 -1/2             | 46.0            | 31.8 | 28.7 | 68.5 | 91.0 | 172  | 103  | 150  | 31.8 | 3.45        |
| 1-1/4        | 12                 | 51.5            | 35.1 | 31.8 | 76.0 | 100  | 191  | 115  | 165  | 35.1 | 4.90        |
| 1-3/8        | 13 -1/2            | 57.0            | 38.1 | 35.1 | 84.0 | 111  | 210  | 127  | 183  | 38.1 | 6.24        |
| 1-1/2        | 17                 | 60.5            | 41.4 | 38.1 | 92.0 | 122  | 230  | 137  | 196  | 41.1 | 8.39        |
| 1-3/4        | 25                 | 73.0            | 51.0 | 44.5 | 106  | 146  | 279  | 162  | 230  | 54.0 | 14.2        |
| 2            | 35                 | 82.5            | 57.0 | 51.0 | 122  | 172  | 312  | 184  | 264  | 51.0 | 21.2        |
| 2-1/2        | 55                 | 105             | 70.0 | 66.5 | 145  | 203  | 377  | 238  | 344  | 66.5 | 38.6        |
| 3            | 85                 | 127             | 82.5 | 76.0 | 165  | 216  | 429  | 279  | 419  | 89.0 | 56          |

\*Maximum Proof Load is 2 times the Working Load Limit.

\*Minimum Ultimate Strength is 6 times the Working Load Limit.

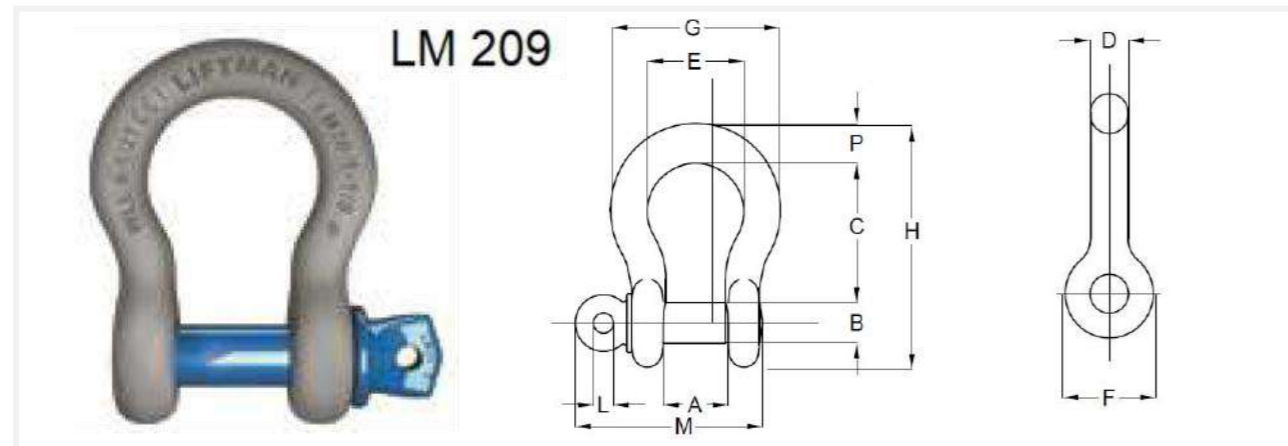
**BOLT TYPE**

**Screw Pin Anchor Shackle**

Anchor Shackles with Screw Collar Pin, Forged Alloy Steel, High Tensile Strength.

- Finished : Anchor Shackles are supplied in hot dip gray galvanized.
- Working Load Limit : Permanently shown on every Shackle.
- Shackle Material : High Tensile Steel Forged – Quenched and Tempered, Grade 6.
- Shackle Size : Capacities 1/3 thru 55 metric tons.

Meets the performance requirements of Federal Specification RR-C-271D Type IVA, Grade A, Class 2 and EN13889 except for those provisions required of the contractor.



| Nominal Size | Working Load Limit | Dimensions (mm) |      |      |      |      |      |      |      |      |      |      | Weight each |
|--------------|--------------------|-----------------|------|------|------|------|------|------|------|------|------|------|-------------|
|              |                    | A               | B    | C    | D    | E    | F    | G    | H    | I    | M    | N    |             |
| 3/16         | 1/3                | 9.65            | 6.35 | 22.4 | 4.85 | 15.2 | 14.2 | 24.9 | 37.3 | 4.06 | 28.4 | 4.85 | 0.03        |
| 1/4          | 1/2                | 11.9            | 7.85 | 27.8 | 6.35 | 19.8 | 15.5 | 32.5 | 46.7 | 4.85 | 35.1 | 6.35 | 0.05        |
| 5/16         | 3/4                | 13.5            | 9.65 | 31.0 | 7.85 | 21.3 | 19.1 | 37.5 | 53.0 | 5.60 | 42.2 | 7.85 | 0.09        |
| 3/8          | 1                  | 16.8            | 11.2 | 36.6 | 9.65 | 26.2 | 23.1 | 45.2 | 63.0 | 6.35 | 51.5 | 9.65 | 0.14        |
| 7/16         | 1-1/2              | 19.1            | 12.7 | 42.9 | 11.2 | 29.5 | 26.9 | 51.5 | 74.0 | 7.85 | 60.5 | 11.2 | 0.17        |
| 1/2          | 2                  | 20.6            | 16.0 | 47.8 | 12.7 | 33.3 | 30.2 | 58.5 | 83.5 | 9.65 | 68.5 | 12.7 | 0.33        |
| 5/8          | 3-1/4              | 26.9            | 19.1 | 60.5 | 16.0 | 42.9 | 38.1 | 74.5 | 106  | 11.2 | 85.0 | 17.5 | 0.62        |
| 3/4          | 4-3/4              | 31.8            | 22.4 | 71.5 | 19.1 | 51.0 | 46.0 | 89.0 | 126  | 12.7 | 101  | 20.6 | 1.07        |
| 7/8          | 6-1/2              | 36.6            | 25.4 | 84.0 | 22.4 | 58.0 | 53.0 | 102  | 148  | 12.7 | 114  | 24.6 | 1.64        |
| 1            | 8-1/2              | 42.9            | 28.7 | 95.5 | 25.4 | 68.5 | 60.5 | 119  | 167  | 14.2 | 129  | 26.9 | 2.28        |
| 1-1/8        | 9-1/2              | 46.0            | 31.8 | 108  | 29.5 | 74.0 | 68.5 | 131  | 190  | 16.0 | 142  | 31.8 | 3.36        |
| 1-1/4        | 12                 | 51.5            | 35.1 | 119  | 32.8 | 92.5 | 76.0 | 146  | 210  | 17.5 | 156  | 35.1 | 4.31        |
| 1-3/8        | 13-1/2             | 57.0            | 38.1 | 133  | 36.1 | 92.0 | 84.0 | 162  | 233  | 19.1 | 174  | 38.1 | 6.14        |
| 1-1/2        | 17                 | 60.5            | 41.4 | 146  | 39.1 | 98.5 | 92.0 | 175  | 254  | 20.6 | 187  | 41.1 | 7.80        |
| 1-3/4        | 25                 | 73.0            | 51.0 | 178  | 46.7 | 127  | 106  | 225  | 313  | 25.4 | 231  | 57.0 | 12.6        |
| 2            | 35                 | 82.5            | 57.0 | 197  | 53.0 | 146  | 122  | 253  | 348  | 31.0 | 263  | 61.0 | 20.4        |
| 2-1/2        | 55                 | 105             | 70.0 | 267  | 69.0 | 184  | 145  | 327  | 453  | 35.1 | 330  | 79.5 | 38.9        |

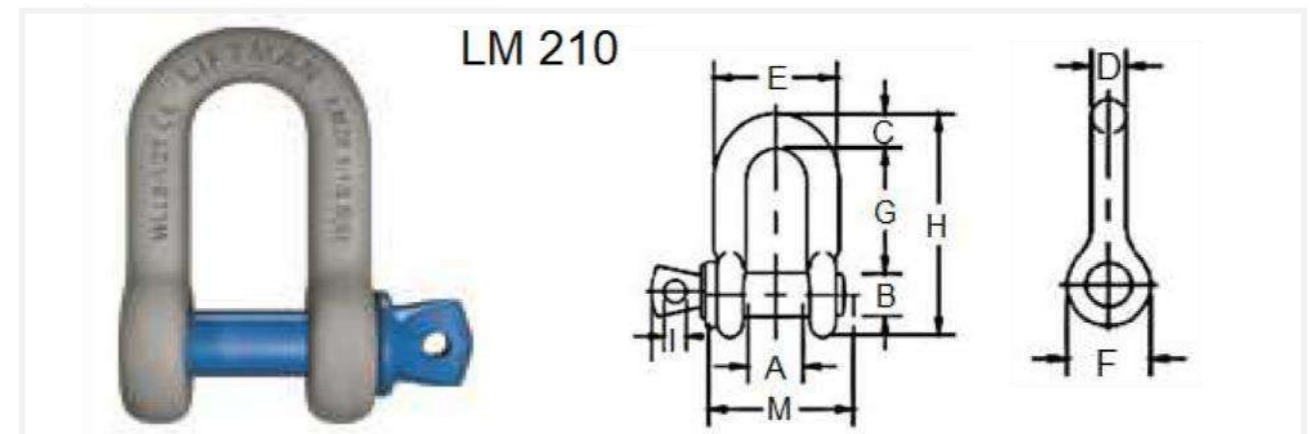
\*Maximum Proof Load is 2 times the Working Load Limit.  
\*Minimum Ultimate Strength is 6 times the Working Load Limit.

**Screw Pin Chain Shackle**

Chain Shackles with Screw Collar Pin, Forged Alloy Steel, High Tensile Strength.

- Finished : Chain Shackles are supplied in hot dip gray galvanized.
- Working Load Limit : Permanently shown on every Shackle.
- Shackle Material : High Tensile Steel Forged – Quenched and Tempered, Grade 6.
- Shackle Size : Capacities 1/4 thru 55 metric tons.

Meets the performance requirements of Federal Specification RR-C-271D Type IVA, Grade A, Class 2 and EN13889 except for those provisions required of the contractor.

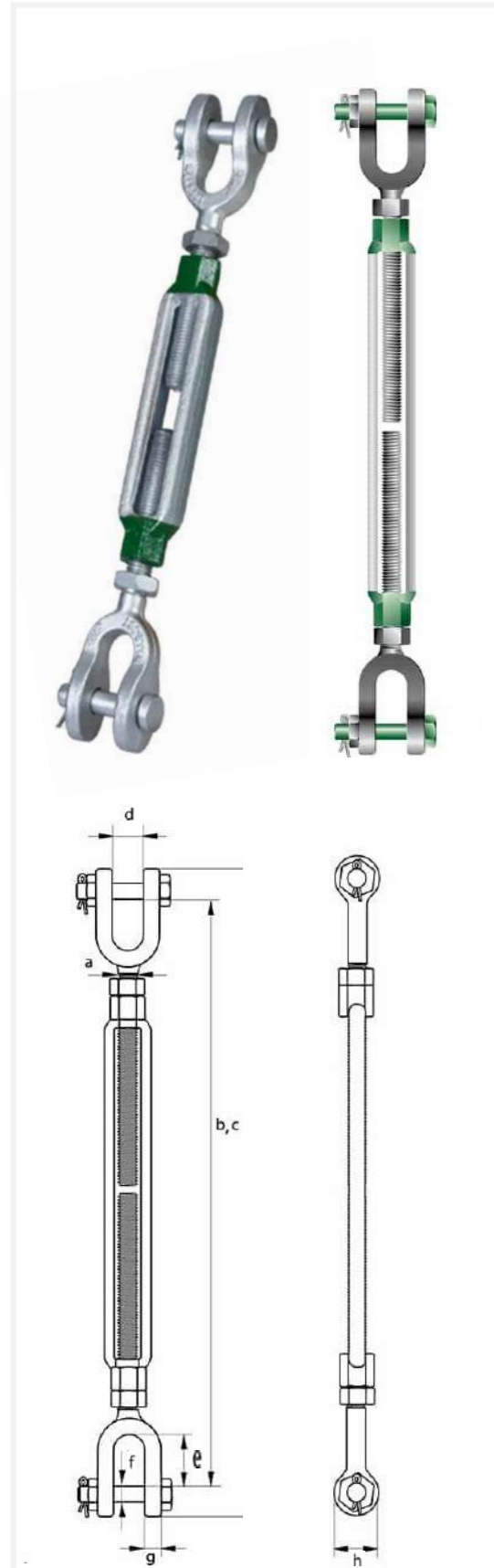


| Nominal Size | Working Load Limit | Dimensions (mm) |      |      |      |      |      |      |      |      |      | Weight each |
|--------------|--------------------|-----------------|------|------|------|------|------|------|------|------|------|-------------|
|              |                    | A               | B    | c    | D    | E    | F    | G    | H    | I    | M    |             |
| 1/4          | 1/2                | 11.9            | 7.85 | 6.35 | 6.35 | 24.6 | 15.5 | 22.4 | 40.4 | 4.85 | 35.1 | 0.05        |
| 5/16         | 3/4                | 13.5            | 9.65 | 7.85 | 7.85 | 29.5 | 19.1 | 26.2 | 48.5 | 5.60 | 42.2 | 0.08        |
| 3/8          | 1                  | 16.8            | 11.2 | 9.65 | 9.65 | 35.8 | 23.1 | 31.8 | 58.5 | 6.35 | 51.5 | 0.13        |
| 7/16         | 1-1/2              | 19.1            | 12.7 | 11.2 | 11.2 | 41.4 | 26.9 | 36.6 | 67.5 | 7.85 | 60.5 | 0.20        |
| 1/2          | 2                  | 20.6            | 16.0 | 12.7 | 12.7 | 46.0 | 30.2 | 41.4 | 77.0 | 9.65 | 68.5 | 0.27        |
| 5/8          | 3-1/4              | 26.9            | 19.1 | 15.7 | 16.0 | 58.5 | 38.1 | 51.0 | 95.5 | 11.2 | 85.0 | 0.57        |
| 3/4          | 4-3/4              | 31.8            | 22.4 | 20.6 | 19.1 | 70.0 | 46.0 | 60.5 | 115  | 12.7 | 101  | 1.20        |
| 7/8          | 6-1/2              | 36.6            | 25.4 | 24.6 | 22.4 | 81.0 | 53.0 | 71.5 | 135  | 12.7 | 114  | 1.43        |
| 1            | 8-1/2              | 42.9            | 28.7 | 25.4 | 25.4 | 93.5 | 60.5 | 81.0 | 151  | 14.2 | 129  | 2.15        |
| 1-1/8        | 9-1/2              | 46.0            | 31.8 | 31.8 | 28.7 | 103  | 68.5 | 91.0 | 172  | 16.0 | 142  | 3.06        |
| 1-1/4        | 12                 | 51.5            | 35.1 | 35.1 | 31.8 | 115  | 76.0 | 100  | 191  | 17.5 | 156  | 4.11        |
| 1-3/8        | 13-1/2             | 57.0            | 38.1 | 38.1 | 35.1 | 127  | 84.0 | 111  | 200  | 19.1 | 174  | 5.28        |
| 1-1/2        | 17                 | 60.5            | 41.4 | 41.1 | 38.1 | 137  | 92.0 | 122  | 230  | 20.6 | 187  | 7.23        |
| 1-3/4        | 25                 | 73.0            | 51.0 | 54.0 | 44.5 | 162  | 106  | 146  | 279  | 25.4 | 231  | 12.1        |
| 2            | 35                 | 82.5            | 57.0 | 51.0 | 51.0 | 184  | 122  | 172  | 312  | 31.0 | 263  | 19.2        |
| 2-1/2        | 55                 | 105             | 70.0 | 66.5 | 66.5 | 238  | 145  | 203  | 377  | 35.1 | 330  | 32.5        |

\*Maximum Proof Load is 2 times the Working Load Limit.  
\*Minimum Ultimate Strength is 6 times the Working Load Limit.

Turnbuckle With Jaw-jaw End Fitting

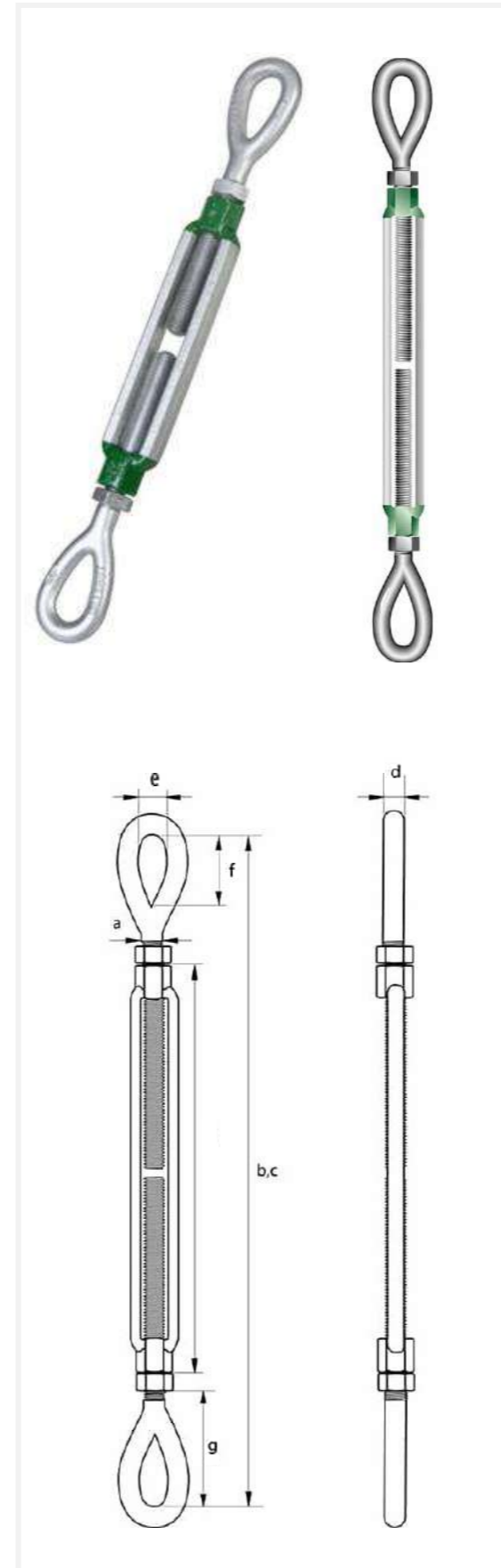
Material : Drop forged high tensile steel  
 Finish : Hot dip galvanized  
 WILL : Genrally to ASTM F1145-92  
 Packing : MBL=2xWLL Proff load=2,5xWLL



| Size         | WLL<br>t | Weight kg | Dimensions (mm) |          |          |       |        |
|--------------|----------|-----------|-----------------|----------|----------|-------|--------|
|              |          |           | a               | b        | c        | d     | e      |
| 1/4 x 4"     | 0.23     | 0.16      | 6.35            | 302.26   | 200.66   | 11.43 | 15.75  |
| 5/16 x 11/2" | 0.36     | 0.24      | 7.874           | 353.06   | 238.76   | 12.7  | 22.1   |
| 3/8 x 6"     | 0.54     | 0.37      | 9.652           | 441.45   | 289.05   | 13.72 | 22.1   |
| 1/2 x 6"     | 1        | 0.71      | 12.7            | 508      | 330.2    | 13.97 | 26.92  |
| 1/2 x 9"     | 1        | 0.79      | 12.7            | 660.4    | 406.4    | 13.97 | 26.92  |
| 1/2 x 12"    | 1        | 1.09      | 12.7            | 812.8    | 482.6    | 13.97 | 26.92  |
| 5/8 x 6"     | 1.59     | 1.23      | 16.002          | 562.1    | 377.95   | 20.83 | 33.27  |
| 5/8 x 9"     | 1.59     | 1.56      | 16.002          | 714.5    | 454.15   | 20.83 | 33.27  |
| 5/8 x 12"    | 1.59     | 1.77      | 15.002          | 866.9    | 539.35   | 20.83 | 33.27  |
| 3/4 x 6"     | 2.36     | 1.86      | 19.05           | 612.14   | 421.64   | 26.16 | 38.1   |
| 3/4 x 9"     | 2.36     | 2.48      | 19.05           | 764.54   | 497.84   | 26.16 | 38.1   |
| 3/4 x 12"    | 2.36     | 2.92      | 19.05           | 916.94   | 574.04   | 26.16 | 38.1   |
| 3/4 x 18"    | 2.36     | 3.66      | 19.05           | 1,221.74 | 726.44   | 26.16 | 38.1   |
| 7/8 x 12"    | 3.27     | 3.71      | 22.352          | 966.98   | 617.73   | 31.24 | 44.45  |
| 7/8 x 18"    | 3.27     | 4.89      | 22.352          | 1,271.78 | 770.13   | 31.24 | 44.45  |
| 1x 6"        | 4.54     | 4.62      | 25.4            | 712.72   | 509.52   | 33.27 | 52.32  |
| 1x 12"       | 4.54     | 5.68      | 25.4            | 1,017.52 | 661.92   | 33.27 | 52.32  |
| 1x18"        | 4.54     | 6.87      | 25.4            | 1,322.32 | 814.32   | 33.27 | 52.32  |
| 1X 24"       | 4.54     | 8.2       | 25.4            | 1,627.12 | 966.72   | 33.27 | 52.32  |
| 11/4 x 12"   | 6.89     | 9.34      | 31.75           | 1,118.62 | 750.32   | 47.24 | 71.37  |
| 11/4 x 18"   | 6.89     | 11.19     | 31.75           | 1,423.42 | 902.72   | 47.24 | 71.37  |
| 11/4 x 24"   | 6.89     | 12.79     | 31.75           | 1,728.22 | 1,055.12 | 47.24 | 71.37  |
| 11/2 x 12"   | 9.71     | 13.92     | 38.1            | 1,118.1  | 800.1    | 57.15 | 71.37  |
| 1/2 x1 18"   | 9.71     | 16.67     | 38.1            | 1,485.9  | 952.5    | 57.15 | 71.37  |
| 11/2 x 24"   | 9.71     | 18.45     | 38.1            | 1,790.7  | 1,104.9  | 57.15 | 71.37  |
| 13/4 x 18"   | 12.7     | 24.49     | 44.45           | 1,503.17 | 1,045.97 | 66.04 | 85.85  |
| 13/4 x 24"   | 12.7     | 28.74     | 44.45           | 1,807.97 | 1,198.37 | 66.04 | 85.85  |
| 2 x 24"      | 16.78    | 42.75     | 50.8            | 1,948.69 | 1,339.09 | 66.55 | 93.73  |
| 2 1/2 x 24"  | 27.22    | 74.84     | 63.5            | 2,087.37 | 1,471.77 | 77.72 | 112.78 |
| 2 3/4 x 24"  | 34.02    | 89.81     | 69.85           | 2,171.7  | 1,562.1  | 93.47 | 106.43 |

Turnbuckle With Eye-eye End Fitting

Material : Drop forged high tensile steel  
 Finish : Hot dip galvanized  
 WILL : Genrally to ASTM F1145-92  
 Packing : MBL=2xWLL Proff load=2,5xWLL



| Size         | WLL<br>t | Weight kg | Dimensions (mm) |         |         |       |       |       |        |
|--------------|----------|-----------|-----------------|---------|---------|-------|-------|-------|--------|
|              |          |           | a               | b       | c       | d     | e     | f     | g      |
| 1/4 x 4"     | 0.22     | 0.12      | 6.35            | 299.7   | 198.1   | 5.7   | 8.63  | 19.8  | 38.7   |
| 5/16 x 11/2" | 0.36     | 0.2       | 7.87            | 344.4   | 230.1   | 7.1   | 11.17 | 23.8  | 45.9   |
| 3/8 x 6"     | 0.54     | 0.34      | 9.6             | 443.7   | 291.3   | 8.76  | 13.46 | 28.4  | 55.2   |
| 1/2 x 6"     | 0.99     | 0.69      | 12.7            | 510     | 332.2   | 11.17 | 18.28 | 36.06 | 70.8   |
| 1/2 x 9"     | 0.99     | 0.76      | 12.7            | 662     | 408.4   | 11.17 | 18.28 | 36.06 | 70.8   |
| 1/2 x12"     | 0.99     | 0.97      | 12.7            | 814.8   | 484.6   | 11.17 | 18.28 | 36.06 | 70.8   |
| 5/8 x 6"     | 1.58     | 1.09      | 16              | 557     | 372.8   | 12.7  | 22.35 | 45.7  | 86.36  |
| 5/8 x 9"     | 1.58     | 1.28      | 16              | 709.4   | 449     | 12.7  | 22.35 | 45.7  | 86.36  |
| 5/8 x 12"    | 1.58     | 1.55      | 16              | 861.8   | 525.2   | 12.7  | 22.35 | 45.7  | 86.36  |
| 3/4 x 6"     | 2.35     | 1.72      | 19              | 606.5   | 416     | 15.7  | 25.4  | 53.08 | 103.4  |
| 3/4 x 9"     | 2.35     | 2.09      | 19              | 758.9   | 492.2   | 15.7  | 25.4  | 53.08 | 103.4  |
| 3/4 x 12"    | 2.35     | 2.48      | 19              | 911.3   | 568.4   | 15.7  | 25.4  | 53.08 | 103.4  |
| 3/4 x 18"    | 2.35     | 3.26      | 19              | 1,216   | 720.8   | 15.7  | 25.4  | 53.08 | 103.4  |
| 7/8 x 12"    | 3.26     | 3.27      | 22.35           | 941.5   | 592.3   | 19.05 | 31.75 | 60.4  | 110.49 |
| 7/8x18"      | 3.26     | 4.51      | 22.35           | 1,246.3 | 744.7   | 19.05 | 31.75 | 60.4  | 110.49 |
| 1X 6"        | 4.5      | 4.1       | 25.4            | 710.4   | 507.2   | 22.2  | 36.5  | 76.2  | 139.3  |
| 1X 12"       | 4.5      | 5.2       | 25.4            | 1,015   | 659.6   | 22.2  | 36.5  | 76.2  | 139.3  |
| 1x18"        | 4.5      | 6.3       | 25.4            | 1,320   | 812     | 22.2  | 36.5  | 76.2  | 139.3  |
| 1X 24"       | 4.5      | 7.8       | 25.4            | 1,624.8 | 964.4   | 22.2  | 36.5  | 76.2  | 139.9  |
| 11/4 x12"    | 6.89     | 8.6       | 31.7            | 1,087.3 | 718.8   | 28.5  | 45.9  | 90.4  | 167.5  |
| 11/4 x 18"   | 6.89     | 10.4      | 31.7            | 1,392   | 871.4   | 28.5  | 45.9  | 90.4  | 167.5  |
| 11/4 x 24"   | 6.89     | 12.2      | 31.7            | 1,696.9 | 1,023.8 | 28.5  | 45.9  | 90.4  | 167.5  |
| 11/2 x 12"   | 9.7      | 12.4      | 38.1            | 1,155.7 | 774.7   | 31.7  | 53.8  | 103.1 | 187.2  |
| 11/2 x18"    | 9.7      | 14        | 38.1            | 1,460.5 | 927     | 31.7  | 53.8  | 103.1 | 187.2  |
| 11/2 x 24"   | 9.7      | 17        | 38.2            | 1,765.3 | 1,079.5 | 31.7  | 53.8  | 103.1 | 187.2  |
| 13/4 x18"    | 12.7     | 23.8      | 44.4            | 1,457.4 | 1,000.2 | 38.1  | 60.4  | 117.3 | 215.9  |
| 13/4 x 24"   | 12.7     | 26.3      | 44.4            | 1,762   | 1,152.6 | 38.1  | 60.4  | 117.3 | 215.9  |
| 2 X 24"      | 16.7     | 38.6      | 50.8            | 1,922.5 | 1,312.9 | 44.45 | 68.3  | 146   | 288    |
| 2 1/2 x 24"  | 27.02    | 65.4      | 64              | 1,996.9 | 1,387.3 | 50.8  | 79.2  | 165.1 | 299.2  |
| 23/4 x 24"   | 34       | 87.9      | 69.8            | 2,057.4 | 1,447.8 | 57.1  | 82.5  | 177.8 | 329.4  |



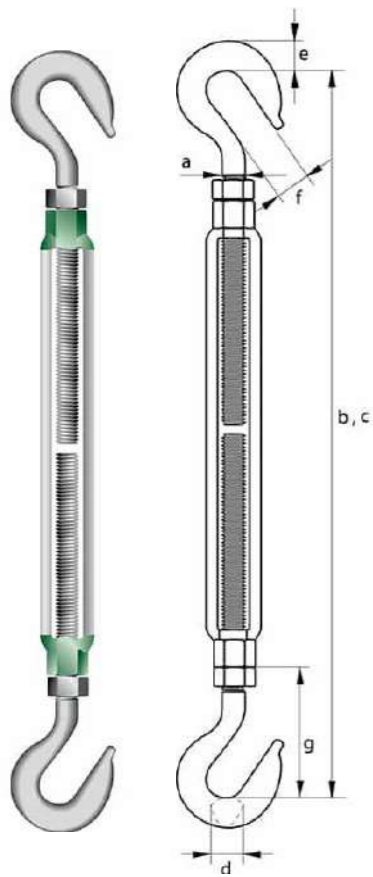
**TURNBUCKLE**

**Turnbuckle With Hook-hook End Fitting**



Material : Drop forged high tensile steel  
 Finish : Hot dip galvanized  
 WILL : Genrally to ASTM F1145-92  
 Packing : MBL=2xWLL Proff load=2,5xWLL

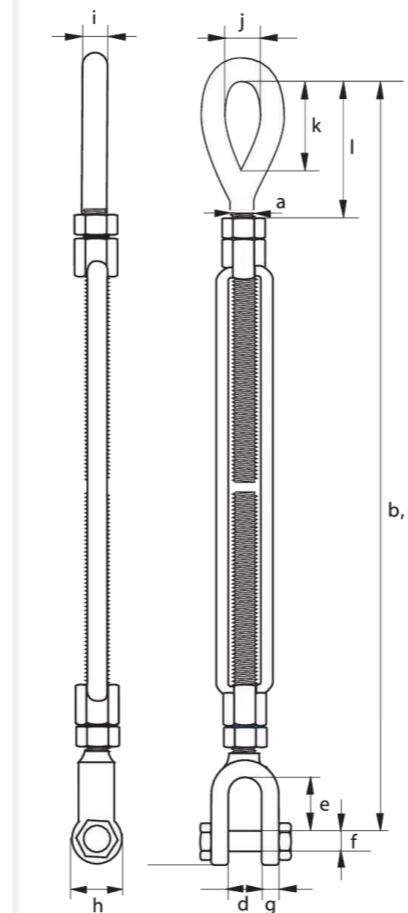
| Size         | WLL t | Weig ht kg | Dimensions (mm) |          |          |       |       |        |  |
|--------------|-------|------------|-----------------|----------|----------|-------|-------|--------|--|
|              |       |            | a               | b        | c        | e     | f     | g      |  |
| 1/4 x 4"     | 0.18  | 0.14       | 6.35            | 303.28   | 201.68   | 10.41 | 11.43 | 40.39  |  |
| 5/16 x 11/2" | 0.32  | 0.21       | 7.87            | 350.77   | 236.47   | 12.7  | 12.7  | 49.28  |  |
| 3/8 x 6"     | 0.45  | 0.35       | 9.65            | 450.09   | 297.69   | 15.49 | 14.22 | 58.42  |  |
| 1/2 x 6"     | 0.68  | 0.73       | 12.7            | 517.65   | 339.85   | 19.81 | 16.76 | 74.68  |  |
| 1/2 x 9"     | 0.68  | 0.83       | 12.7            | 670.05   | 416.05   | 19.81 | 16.76 | 74.68  |  |
| 1/2 x 12"    | 0.68  | 1.03       | 12.7            | 822.45   | 492.25   | 19.81 | 16.76 | 74.68  |  |
| 5/8 x 6"     | 1.02  | 1.25       | 16              | 571.5    | 387.35   | 25.4  | 22.86 | 93.73  |  |
| 5/8 x 9"     | 1.02  | 1.53       | 16              | 723.9    | 463.55   | 25.4  | 22.86 | 93.73  |  |
| 5/8 x 12"    | 1.02  | 1.59       | 16              | 876.3    | 539.75   | 25.4  | 22.86 | 93.73  |  |
| 3/4 x 6"     | 1.36  | 1.76       | 19.05           | 629.41   | 438.91   | 30.48 | 24.89 | 114.81 |  |
| 3/4 x 9"     | 1.36  | 2.4        | 19.05           | 781.81   | 515.11   | 30.48 | 24.89 | 114.81 |  |
| 3/4 x 12"    | 1.36  | 2.46       | 19.05           | 934.21   | 591.31   | 30.48 | 24.89 | 114.81 |  |
| 3/4 x 18"    | 1.36  | 3.68       | 19.05           | 1,239.01 | 734.71   | 30.48 | 24.89 | 114.81 |  |
| 7/8 x 12"    | 1.81  | 3.67       | 22.35           | 984.25   | 635      | 34.93 | 28.7  | 131.83 |  |
| 7/8 x 18"    | 1.81  | 4.51       | 22.35           | 1,289.05 | 787.4    | 34.93 | 28.7  | 131.83 |  |
| 1x 6"        | 2.27  | 4.23       | 25.4            | 728.73   | 525.53   | 38.86 | 31.75 | 148.34 |  |
| 1X 12"       | 2.27  | 5.41       | 25.4            | 1,033.53 | 677.93   | 38.86 | 31.75 | 148.34 |  |
| 1X 18"       | 2.27  | 6.35       | 25.4            | 1,383.33 | 830.33   | 38.86 | 31.75 | 148.34 |  |
| 1X 24"       | 2.27  | 7.82       | 25.4            | 1,643.13 | 982.73   | 38.86 | 31.75 | 148.34 |  |
| 11/4 x 12"   | 2.95  | 9.34       | 31.75           | 1,119.12 | 750.82   | 45.97 | 38.1  | 183.39 |  |
| 11/4 x 18"   | 2.95  | 10.43      | 31.75           | 1,423.92 | 903.22   | 45.97 | 38.1  | 183.39 |  |
| 11/4 x 24"   | 2.95  | 12.25      | 31.75           | 1,728.72 | 1,055.62 | 45.97 | 38.1  | 183.39 |  |
| 11/2 x 12"   | 3.4   | 12.47      | 38.1            | 1,204.98 | 823.98   | 44.45 | 47.75 | 211.84 |  |
| 11/2 x 18"   | 3.4   | 14.06      | 38.1            | 1,509.78 | 976.38   | 44.2  | 47.75 | 211.84 |  |
| 11/2 x 24"   | 3.4   | 17.01      | 38.1            | 1,814.58 | 1,128.78 | 44.45 | 47.75 | 211.84 |  |



**Turnbuckle With Jaw-eye End Fitting**



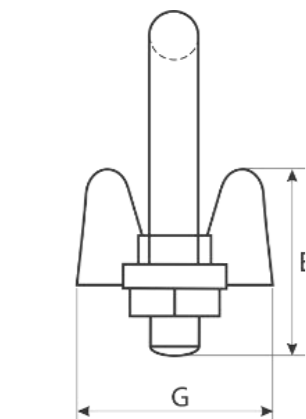
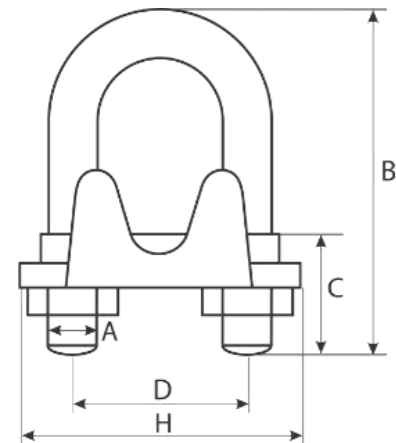
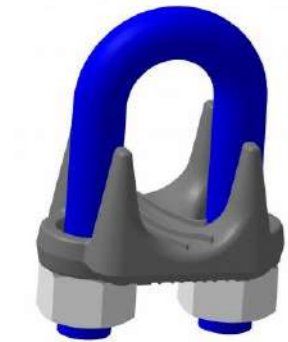
Material : Drop forged high tensile steel  
 Finish : Hot dip galvanized  
 WILL : Genrally to ASTM F1145-92  
 Packing : MBL=2xWLL Proff load=2,5xWLL



| Size         | WLL t | Weight kg | Dimensions (mm) |          |          |       |        |       |        |        |
|--------------|-------|-----------|-----------------|----------|----------|-------|--------|-------|--------|--------|
|              |       |           | a               | b        | c        | d     | e      | j     | k      | l      |
| 1/4 x 4"     | 0.23  | 0.14      | 6.35            | 288.29   | 186.69   | 11.43 | 15.75  | 8.64  | 19.81  | 44.45  |
| 5/16 x 11/2" | 0.36  | 0.23      | 7.87            | 348.23   | 221.23   | 12.7  | 22.1   | 11.18 | 23.88  | 53.09  |
| 3/8 x 6"     | 0.54  | 0.36      | 9.65            | 426.97   | 274.57   | 13.72 | 22.1   | 13.46 | 28.45  | 64.01  |
| 1/2 x 6"     | 1     | 0.68      | 12.7            | 489.97   | 312.17   | 13.97 | 26.92  | 18.29 | 36.07  | 82.04  |
| 1/2 x 9"     | 1     | 0.78      | 12.7            | 642.37   | 388.37   | 13.97 | 26.92  | 18.29 | 36.07  | 82.04  |
| 1/2 x 12"    | 1     | 0.94      | 12.7            | 794.77   | 464.57   | 13.97 | 26.92  | 18.29 | 36.07  | 82.04  |
| 5/8 x 6"     | 1.59  | 1.07      | 16              | 533.15   | 349      | 20.83 | 33.27  | 22.35 | 45.72  | 99.06  |
| 5/8 x 9"     | 1.59  | 1.44      | 16              | 685.55   | 425.2    | 20.83 | 33.27  | 22.35 | 45.72  | 99.06  |
| 5/8 x 12"    | 1.59  | 1.64      | 16              | 837.95   | 501.4    | 20.83 | 33.27  | 22.35 | 45.75  | 99.06  |
| 3/4 x 6"     | 2.36  | 1.81      | 19.05           | 576.33   | 385.83   | 26.16 | 38.1   | 25.40 | 53.09  | 119.13 |
| 3/4 x 9"     | 2.36  | 2.15      | 19.05           | 728.73   | 462.03   | 26.16 | 38.1   | 25.40 | 53.09  | 119.13 |
| 3/4 x 12"    | 2.36  | 2.69      | 19.05           | 881.13   | 538.23   | 26.16 | 38.1   | 25.40 | 53.09  | 119.13 |
| 3/4 x 18"    | 2.36  | 3.18      | 19.05           | 1,185.93 | 690.63   | 26.16 | 38.1   | 25.40 | 53.09  | 119.13 |
| 7/8 x 12"    | 3.27  | 3.79      | 22.35           | 916.69   | 567.44   | 31.24 | 44.45  | 31.75 | 60.45  | 129.54 |
| 7/8 x 18"    | 3.27  | 4.42      | 22.35           | 1,221.49 | 719.84   | 31.24 | 44.45  | 31.75 | 60.45  | 129.54 |
| 1x 6"        | 4.54  | 4.05      | 25.4            | 669.04   | 465.84   | 33.27 | 52.32  | 36.58 | 76.2   | 161.54 |
| 1X 12"       | 4.54  | 5.08      | 25.4            | 973.84   | 618.24   | 33.27 | 52.32  | 36.58 | 76.2   | 161.54 |
| 1x 18"       | 4.54  | 6.03      | 25.4            | 1,278.64 | 770.64   | 33.27 | 52.32  | 36.58 | 76.2   | 161.54 |
| 1X 24"       | 4.54  | 7.71      | 25.4            | 1,583.44 | 923.04   | 33.27 | 52.32  | 36.58 | 76.2   | 161.54 |
| 11/4 x 12"   | 6.89  | 8.81      | 31.75           | 1,049.53 | 681.23   | 47.24 | 71.37  | 45.97 | 90.42  | 196.09 |
| 11/4 x 18"   | 6.89  | 10.97     | 31.75           | 1,354.33 | 833.63   | 47.24 | 71.37  | 45.97 | 90.42  | 196.09 |
| 11/4 x 24"   | 6.89  | 12.93     | 31.75           | 1,659.13 | 986.03   | 47.24 | 71.37  | 45.97 | 90.42  | 196.09 |
| 11/2 x 12"   | 9.71  | 13.15     | 38.1            | 1,104.9  | 647.7    | 57.15 | 71.37  | 53.85 | 103.12 | 218.95 |
| 11/2 x 18"   | 9.71  | 15.88     | 38.1            | 1,409.7  | 876.3    | 57.15 | 71.37  | 53.85 | 103.12 | 218.95 |
| 11/2 x 24"   | 9.71  | 17.77     | 38.2            | 1,714.5  | 1,028.7  | 57.15 | 71.37  | 53.85 | 103.12 | 218.95 |
| 13/4 x 18"   | 12.7  | 24.38     | 44.45           | 1,406.65 | 949.45   | 66.04 | 85.85  | 60.45 | 117.35 | 254    |
| 13/4 x 24"   | 12.7  | 27.52     | 44.45           | 1,711.45 | 1,101.85 | 66.04 | 85.85  | 60.45 | 117.35 | 254    |
| 2 X 24"      | 16.78 | 40.37     | 50.8            | 1,844.55 | 1,234.95 | 66.55 | 93.73  | 68.33 | 146.05 | 332.49 |
| 2 1/2 x 24"  | 27.22 | 68.04     | 63.5            | 1,925.32 | 1,315.72 | 77.72 | 112.78 | 79.25 | 165.1  | 350.01 |
| 2 3/4 x 24"  | 34.02 | 83.01     | 69.85           | 1,978.15 | 1,368.55 | 93.47 | 106.43 | 82.55 | 177.8  | 386.59 |

# WIRE ROPE CLIP

## Wire Rope Clip Lm 450



- Material : Drop forged high tensile steel  
 Finish : Bridge - Hot dip galvanized, U-bolt – Electro plated  
 Standard : EN 13411-5 Type B  
 Formerly U.S. Federal Specification FF-C-450D  
 Certificate : Manufacturer test certificate

| ITEM NO.    | SIZE  | A    | B    | C    | D    | E    | F    | G    |
|-------------|-------|------|------|------|------|------|------|------|
| LM-WRC0216  | 1/8   | 0.22 | 0.72 | 0.44 | 0.47 | 0.41 | 0.81 | 0.94 |
| LM-WRC0316  | 3/16  | 0.25 | 0.97 | 0.56 | 0.59 | 0.5  | 0.94 | 1.16 |
| LM-WRC0416  | 1/4   | 0.31 | 1.03 | 0.63 | 0.75 | 0.66 | 1.19 | 1.44 |
| LM-WRC0516  | 5/16  | 0.38 | 1.23 | 0.75 | 0.88 | 0.72 | 1.31 | 1.69 |
| LM-WRC0616  | 3/8   | 0.44 | 1.5  | 0.75 | 1    | 0.91 | 1.63 | 1.94 |
| LM-WRC0716  | 7/16  | 0.50 | 1.88 | 1    | 1.19 | 1.03 | 1.81 | 2.28 |
| LM-WRC0816  | 1/2   | 0.50 | 1.88 | 1    | 1.19 | 1.13 | 1.91 | 2.28 |
| LM-WRC0916  | 9/16  | 0.56 | 2.25 | 1.25 | 1.31 | 1.22 | 2.06 | 2.5  |
| LM-WRC1016  | 5/8   | 0.56 | 2.38 | 1.25 | 1.31 | 1.34 | 2.06 | 2.5  |
| LM-WRC1216  | 3/4   | 0.62 | 2.75 | 1.44 | 1.5  | 1.41 | 2.25 | 2.84 |
| LM-WRC1416  | 7/8   | 0.75 | 3.12 | 1.62 | 1.75 | 1.49 | 2.44 | 3.16 |
| LM-WRC1616  | 1     | 0.75 | 3.5  | 1.81 | 1.88 | 1.78 | 2.63 | 3.47 |
| LM-WRC1816  | 1 1/8 | 0.75 | 3.88 | 2    | 2    | 1.91 | 2.81 | 3.59 |
| LM-WRC2016  | 1 1/4 | 0.88 | 4.25 | 2.13 | 2.31 | 2.19 | 3.13 | 4.13 |
| LM-WRC2216  | 1 3/8 | 0.88 | 4.53 | 2.31 | 2.38 | 2.31 | 3.13 | 4.19 |
| LM-WRC02416 | 1 1/2 | 0.88 | 4.94 | 2.38 | 2.59 | 2.44 | 3.41 | 4.44 |
| LM-WRC2616  | 1 5/8 | 1.00 | 5.31 | 2.62 | 2.75 | 2.66 | 3.63 | 4.75 |
| LM-WRC2816  | 1 3/4 | 1.13 | 5.75 | 2.75 | 3.06 | 2.94 | 3.81 | 5.28 |
| LM-WRC3216  | 2     | 1.25 | 6.44 | 3    | 3.38 | 3.23 | 4.44 | 5.88 |
| LM-WRC3616  | 2 1/4 | 1.25 | 7.13 | 3.19 | 3.88 | 3.19 | 4.5  | 6.38 |
| LM-WRC4016  | 2 1/2 | 1.25 | 7.69 | 3.44 | 4.13 | 3.69 | 4.05 | 6.63 |
| LM-WRC4416  | 2 3/4 | 1.25 | 8.31 | 3.56 | 4.38 | 4.88 | 5.00 | 6.88 |
| LM-WRC2816  | 3     | 1.50 | 9.19 | 3.88 | 4.75 | 4.69 | 5.88 | 7.63 |

\*Maximum Proof Load is 2 times the Working Load Limit.  
 \*Minimum Ultimate Strength is 6 times the Working Load Limit.

# ELECTRIC CHAIN HOIST

## Electric Chain Hoist

### Suspension Type

- Single Speed Model
- Dual Speed Model



### Specifications table Single Speed (3 Phase) F(H)

| Rated Load (kg)        | kg           | 1000  | 2000  | 3000  | 5000  | 10000 | 15000 | 20000 |
|------------------------|--------------|-------|-------|-------|-------|-------|-------|-------|
| Model Names            |              | 1F(H) | 2F(H) | 3F(H) | 5F(H) | 10FH  | 15FH  | 20FH  |
| Standard lift          | (m)          | 3(6)  |       |       | 6     |       |       |       |
| Hoisting Speed (m/min) | 50Hz         | 7.1   | 6.8   | 4.1   | 2.8   | 2.8   | 1.8   | 1.4   |
|                        | 60Hz         | 8.5   | 8.2   | 4.9   | 3.3   | 3.3   | 2.2   | 1.6   |
| Motor Speed (KW)       | 50Hz         | 1.3   | 1.3   |       | 2.4   |       | 2.4x2 |       |
|                        | 60Hz         | 1.6   | 2.9   |       |       | 2.9x2 |       |       |
| Link Chain             | Dia. (mm)    | φ 7.1 |       |       | φ 10  |       |       |       |
|                        | No. of falls | 1     | 1     | 2     | 3     | 4     | 6     | 8     |
| Rating                 |              | 30%ED |       |       |       |       |       |       |
| Power Cord Length      |              | 5m    |       |       |       |       |       |       |

### Dual Speed (3 Phase) FN(H)

| Rated Load (kg)        | kg           | 2000    | 3000    | 5000    | 10000     | 15000    |
|------------------------|--------------|---------|---------|---------|-----------|----------|
| Model Names            |              | 2FN(H)  | 3FN(H)  | 5FN(H)  | 10FNH     | 15FNH    |
| Standard lift          | (m)          | 3(6)    |         |         | 6         | 6        |
| Hoisting Speed (m/min) | 50Hz         | 6.8/1.7 | 4.0/1.0 | 2.8/0.7 | 2.8/0.7   | 1.8/0.45 |
|                        | 60Hz         | 8.2/2.1 | 4.8/1.2 | 3.3/0.8 | 3.3/0.8   | 2.2/0.55 |
| Motor Speed (KW)       | 50Hz         | 2.4/0.6 |         |         | 2.4/0.6X2 |          |
|                        | 60Hz         | 2.9/0.7 |         |         | 2.9/0.7X2 |          |
| Link Chain             | Dia. (mm)    | φ 10    |         |         |           |          |
|                        | No. of falls | 1       | 2       | 3       | 4         | 5        |
| Rating                 |              | 20%ED   |         |         |           |          |
| Power Cord Length      |              | 5m      |         |         |           |          |

# ELECTRIC CHAIN HOIST

## Electric Chain Hoist



### Suspension Type

- Single Speed Model
- Dual Speed Model
- Single Phase Model

### Specifications table

#### Single speed (3 phase)

| Rated Load(kg)         | 250                  | 500                   | 1,000 | 2,000  | 3,000 | 5,000  |      |
|------------------------|----------------------|-----------------------|-------|--------|-------|--------|------|
| Model Name             | 1/4S(H) <sub>2</sub> | 1/2S (H) <sub>2</sub> | 1S(H) | 2S (H) | 3S(H) | 5S (H) |      |
| Standard Lift(m)       | 3(6)                 |                       |       |        |       |        |      |
| Hoisting Speed (m/min) | 50Hz                 | 10                    | 7.2   | 4.6    | 2.3   | 1.5    | 0.9  |
|                        | 60Hz                 | 12                    | 8.5   | 5.5    | 2.8   | 1.8    | 1.1  |
| Motor Output(kW)       | 50Hz                 | 0.45                  | 0.63  | 0.8    | 0.8   | 0.8    | 0.8  |
|                        | 60Hz                 | 0.55                  | 0.75  | 1.0    | 1.0   | 1.0    | 1.0  |
| Link Chain             | Dia. (mm)            | φ6.3                  | φ6.3  | φ7.1   | φ7.1  | φ7.1   | φ7.1 |
|                        | No. of               | 1                     | 1     | 1      | 2     | 3      | 5    |
| Rating                 | 30% ED               |                       |       | 25% ED |       |        |      |
| Power Cord Length      | 5m                   |                       |       |        |       |        |      |

### Single Phase

SS(H)2, S(H)1

| Rated Load (kg)        | 250                   | 500                   | 1 0, 00 | 2,000   | 3,000   | 5,000  |      |
|------------------------|-----------------------|-----------------------|---------|---------|---------|--------|------|
| Model Name             | 1/4SS(H) <sub>2</sub> | 1/2SS(H) <sub>2</sub> | 1S (H)1 | 2S (H)1 | 3S (H)1 | 5S(H)1 |      |
| Standard Lift (m)      | 3(6)                  |                       |         |         |         |        |      |
| Hoisting Speed (m/min) | 50Hz                  | 5.0                   | 3.6     | 2.3     | 1.1     | 0.8    | 0.45 |
|                        | 60Hz                  | 6.0                   | 4.3     | 2.8     | 1.4     | 0.9    | 0.55 |
| Motor Output (kW)      | 50Hz                  | 0.25                  | 0.32    | 0.4     | 0.4     | 0.4    | 0.4  |
|                        | 60Hz                  | 0.30                  | 0.37    | 0.5     | 0.5     | 0.5    | 0.5  |
| Link Chain             | Dia.(mm)              | φ6.3                  | φ6.3    | φ7.1    | φ7.1    | φ7.1   | φ7.1 |
|                        | No. of Falls          | 1                     | 1       | 1       | 2       | 3      | 5    |
| Rating                 | 25% ED                |                       |         | 20% ED  |         |        |      |
| Power Cord Length      | 5m                    |                       |         |         |         |        |      |

All dimensions and specifications are subject to change without notice.

### Dual Speed (3 Phase)

SN(H)

| Rated Load (kg)        | 250          | 500        | 1,000     | 2,000    |          |
|------------------------|--------------|------------|-----------|----------|----------|
| Model Name             | 1/4SN (H)2   | 1/2SN (H)2 | 1SN (H)   | 2SN (H)  |          |
| Standard Lift (m)      | 3(6)         |            |           |          |          |
| Hoisting Speed (m/min) | 50Hz         | 7.2/1.8    | 7.2/1.8   | 4.6/1.2  | 2.3/0.6  |
|                        | 60Hz         | 8.5/2.1    | 8.5/2.1   | 5.5/1.4  | 2.8/0.7  |
| Motor Output (kW)      | 50Hz         | 0.32/0.08  | 0.63/0.16 | 0.8/0.2  | 0.8/0.2  |
|                        | 60Hz         | 0.38/0.1   | 0.75/0.19 | 0.1/0.25 | 0.1/0.25 |
| Link Chain             | Dia.(mm)     | φ6.3       | φ6.3      | φ7.1     | φ7.1     |
|                        | No. of Falls | 1          | 1         | 1        | 2        |
| Rating                 | 25% ED       |            | 20/10% ED |          |          |
| Power Cord Length      | 5m           |            |           |          |          |

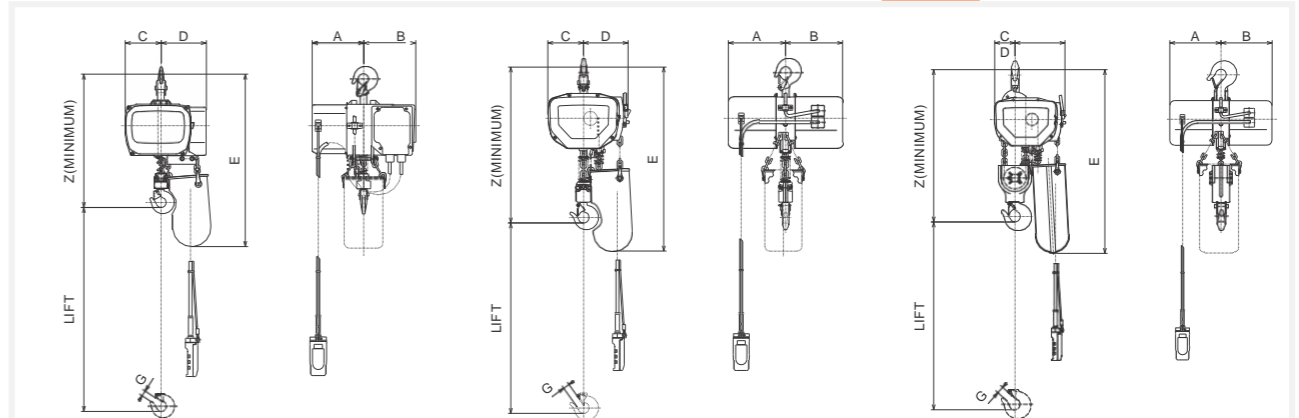
## Suspension Type

### Dimensions

250 -500kg

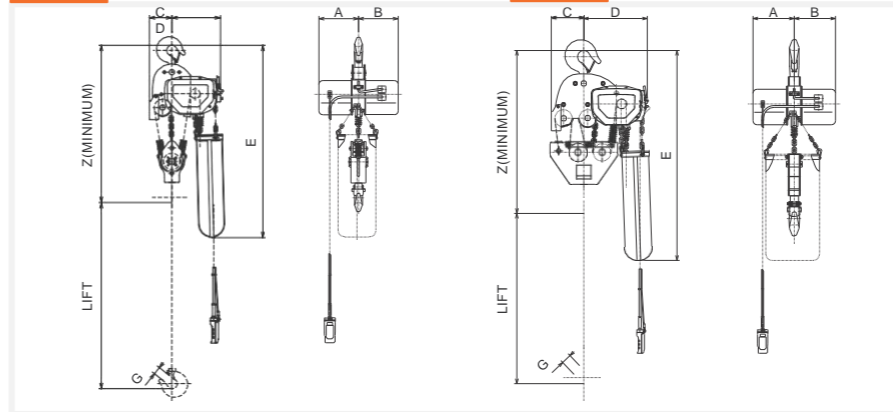
1t

2t



3t

5t



### Note

- 1)The numbers written in the specifications table and dimensions table may be changed for upgrades, etc.
- 2)The dimension drawing shows the state with a load suspended.
- 3)The CE version differs slightly from the dimension drawing shape.

### Specifications table

#### Single Speed (3 Phase)

| Model Name          | 1/4S2  | 1/4SH2 | 1/2S2 | 1/2SH2 | 1S    | 1SH   | 2S    | 2SH   | 3S    | 3SH   | 5S    | 5SH   |
|---------------------|--------|--------|-------|--------|-------|-------|-------|-------|-------|-------|-------|-------|
| Rated Load (kg)     | 250    | 250    | 500   | 500    | 1,000 | 1,000 | 2,000 | 2,000 | 3,000 | 3,000 | 5,000 | 5,000 |
| Dimensions (mm)     | Z      | 450    | 450   | 450    | 530   | 530   | 645   | 645   | 800   | 800   | 895   | 895   |
|                     | A      | 181    | 181   | 181    | 216   | 216   | 216   | 216   | 216   | 216   | 216   | 216   |
|                     | B      | 184    | 184   | 184    | 216   | 216   | 216   | 216   | 216   | 216   | 216   | 216   |
|                     | C      | 125    | 125   | 125    | 135   | 135   | 90    | 90    | 125   | 125   | 175   | 175   |
|                     | D      | 165    | 165   | 165    | 170   | 170   | 215   | 215   | 270   | 270   | 340   | 340   |
|                     | D'(CE) | 200    | 200   | 200    | 170   | 170   | 215   | 215   | 270   | 270   | 340   | 340   |
|                     | E      | 620    | 620   | 620    | 680   | 680   | 705   | 775   | 835   | 1,050 | 1,065 | 1,095 |
|                     | G      | 19     | 19    | 19     | 23    | 23    | 26    | 26    | 42    | 42    | 48    | 48    |
| Approx. Weight (kg) | 28     | 31     | 31    | 34     | 37    | 42    | 49    | 59    | 61    | 72    | 88    | 105   |

All dimensions and specifications are subject to change without notice.

#### Dual Speed (3 Phase)

| Model Name          | 1/4SN 2 | 1/4SN H2 | 1/2SN 2 | 1/2SN H2 | 1SN   | 1SNH  | 2SN   | 2SNH  |
|---------------------|---------|----------|---------|----------|-------|-------|-------|-------|
| Rated Load (kg)     | 250     | 250      | 500     | 500      | 1,000 | 1,000 | 2,000 | 2,000 |
| Dimensions (mm)     | Z       | 450      | 450     | 450      | 530   | 530   | 645   | 645   |
|                     | A       | 183      | 183     | 183      | 216   | 216   | 216   | 216   |
|                     | B       | 210      | 210     | 210      | 246   | 246   | 246   | 246   |
|                     | C       | 125      | 125     | 125      | 135   | 135   | 90    | 90    |
|                     | D       | 185      | 185     | 185      | 170   | 170   | 215   | 215   |
|                     | D'(CE)  | 200      | 200     | 200      | 170   | 170   | 215   | 215   |
|                     | E       | 620      | 620     | 620      | 680   | 680   | 705   | 775   |
|                     | G       | 19       | 19      | 19       | 23    | 23    | 26    | 26    |
| Approx. Weight (kg) | 33      | 36       | 36      | 39       | 42    | 47    | 54    | 64    |

#### Single Phase

| Model Name          | 1/4S 2 | 1/4SS H2 | 1/2SS 2 | 1/2SS H2 | 1S1   | 1SH1  | 2S1   | 2SH1  | 3S1   | 3SH1  | 5S1   | 5SH1  |
|---------------------|--------|----------|---------|----------|-------|-------|-------|-------|-------|-------|-------|-------|
| Rated Load (kg)     | 250    | 250      | 500     | 500      | 1,000 | 1,000 | 2,000 | 2,000 | 3,000 | 3,000 | 5,000 | 5,000 |
| Dimensions (mm)     | Z      | 450      | 450     | 450      | 530   | 530   | 645   | 645   | 800   | 800   | 895   | 895   |
|                     | A      | 181      | 181     | 181      | 246   | 246   | 246   | 246   | 246   | 246   | 246   | 246   |
|                     | B      | 210      | 210     | 210      | 246   | 246   | 246   | 246   | 246   | 246   | 246   | 246   |
|                     | C      | 125      | 125     | 125      | 135   | 135   | 90    | 90    | 125   | 125   | 175   | 175   |
|                     | D      | 165      | 165     | 165      | 170   | 170   | 215   | 215   | 270   | 270   | 340   | 340   |
|                     | D'(CE) | 200      | 200     | 200      | 170   | 170   | 215   | 215   | 270   | 270   | 340   | 340   |
|                     | E      | 620      | 620     | 620      | 680   | 680   | 705   | 775   | 835   | 1,050 | 1,065 | 1,095 |
|                     | G      | 19       | 19      | 19       | 23    | 23    | 26    | 26    | 42    | 42    | 48    | 48    |
| Approx. Weight (kg) | 34     | 37       | 34      | 37       | 39    | 44    | 51    | 61    | 63    | 74    | 90    | 107   |

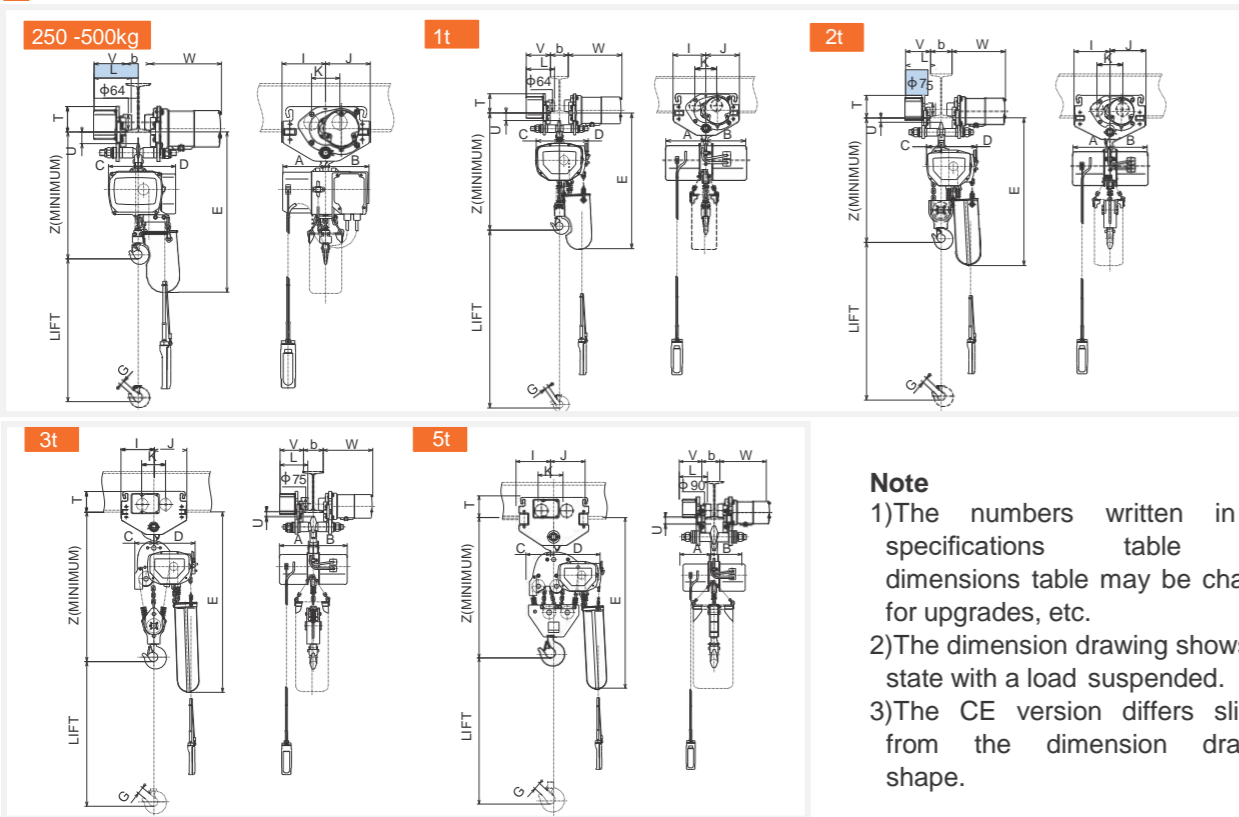
All dimensions and specifications are subject to change without notice.

# ELECTRIC CHAIN HOIST

## With Motorized Trolley-et

This can be combined with a 4-point or 6-point pushbutton and used as a motorized trolley or overhead traveling crane

### Dimensions



**Note**  
1)The numbers written in the specifications table and dimensions table may be changed for upgrades, etc.  
2)The dimension drawing shows the state with a load suspended.  
3)The CE version differs slightly from the dimension drawing shape.

### Specifications Table

| Chain Hoist Model Name       | 4S(H)2 | 1/4SN(H)2 | 1/2S(H)2 | 1/2SN(H)2 | 1S(H)  | 1SN(H) | 2S(H)    | 2SN(H)   | 3S(H)    | 5S(H)      |              |
|------------------------------|--------|-----------|----------|-----------|--------|--------|----------|----------|----------|------------|--------------|
| Trolley Type                 | 1ET    |           |          |           | 2ET    |        | 3ET      |          | 5ET      |            |              |
| Rated Load (kg)              | 250    |           | 500      |           | 1,000  |        | 2,000    |          | 5,000    |            |              |
| Dimensions (mm)              | Z      | 523       | 523      | 523       | 523    | 600    | 600      | 700      | 700      | 865        | 984          |
|                              | A      | 181       | 183      | 181       | 183    | 216    | 216      | 216      | 216      | 216        | 216          |
|                              | B      | 184       | 210      | 184       | 210    | 216    | 246      | 216      | 246      | 216        | 216          |
|                              | C      | 125       | 125      | 125       | 125    | 135    | 135      | 90       | 90       | 125        | 175          |
|                              | D      | 165       | 185      | 165       | 185    | 170    | 170      | 215      | 215      | 270        | 340          |
|                              | D'(CE) | 200       | 200      | 200       | 200    | 170    | 170      | 215      | 215      | 270        | 340          |
|                              | E      | 693       | 693      | 693       | 693    | 750    | 750      | 770(840) |          | 910(1,125) | 1,170(1,200) |
|                              | G      | 19        | 19       | 19        | 19     | 23     | 23       | 26       | 26       | 42         | 48           |
|                              | I      | 185       |          |           |        |        |          | 210      |          | 210        | 240          |
|                              | J      | 190       |          |           |        |        |          | 210      |          | 210        | 240          |
|                              | K      | 120       |          |           |        |        |          | 148      |          | 148        | 173          |
|                              | L      | 182       |          |           |        |        |          | 200      |          | 203        | 219          |
|                              | T      | 110       |          |           |        |        |          | 140      |          | 140        | 156          |
| U                            | 38     |           |          |           |        |        | 18       |          | 16       | 34         |              |
| V                            | 159    |           |          |           |        |        | 172      |          | 175      | 181        |              |
| W                            | 303    |           |          |           |        |        | 313      |          | 316      | 323        |              |
| Min.Curve Radius (m)         | 1.5    |           |          |           |        |        | 1.8      |          | 2.0      | 3.0        |              |
| Applicable Beam Width b (mm) | 75-125 |           |          |           |        |        | 100-150  |          | 125-175  |            |              |
| Approx.Weight (kg)           | 66(69) | 71(74)    | 69(72)   | 74(77)    | 75(80) | 80(85) | 101(111) | 106(116) | 121(132) | 174(191)   |              |

All dimensions and specifications are subject to change without notice.

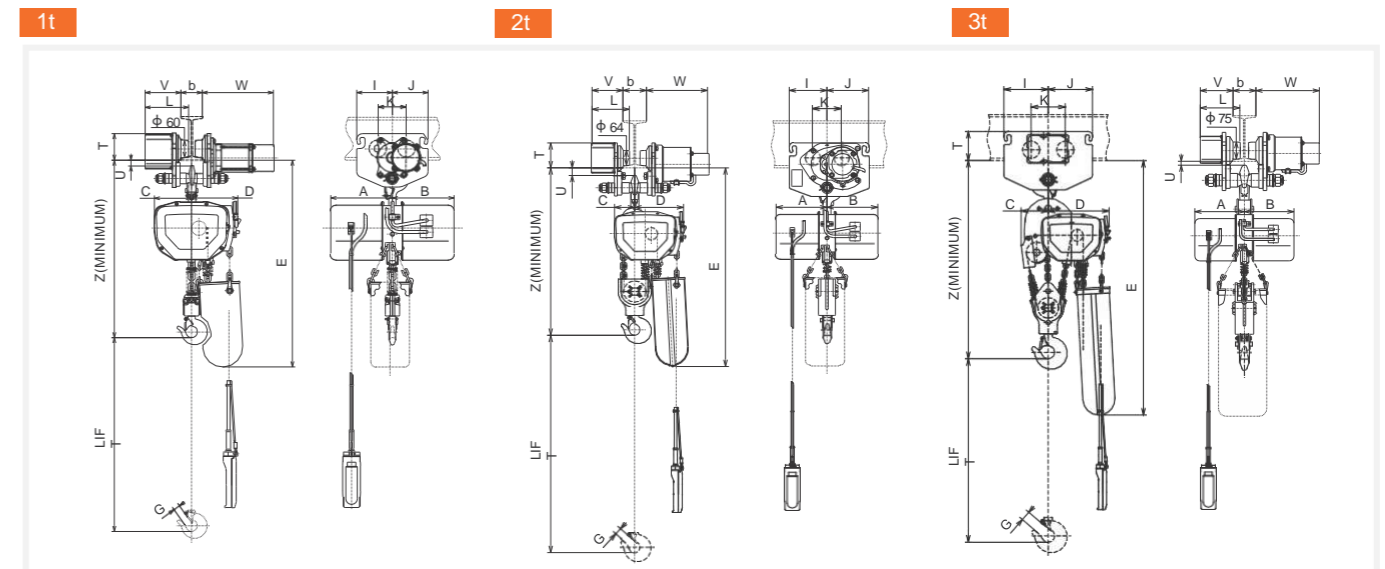
### Motorized Trolley Specifications Table

| Series Name                  | ET series  |       |           |       | ST series |         |       |
|------------------------------|------------|-------|-----------|-------|-----------|---------|-------|
|                              | 1ET        | 2ET   | 3ET       | 5ET   | 1ST       | 2ST     | 3ST   |
| Model Name                   | 1ET        | 2ET   | 3ET       | 5ET   | 1ST       | 2ST     | 3ST   |
| Working Load Limit (kg)      | 1,000      | 2,000 | 3,000     | 5,000 | 1,000     | 2,000   | 3,000 |
| Traveling Speed (m/min)      | 10.5(21)   |       |           |       | 10.5      |         |       |
|                              | 12.5(25)   |       |           |       | 12.5      |         |       |
| Motor Output (kW)            | 0.14(0.27) |       | 0.3(0.6)  |       | 0.07      | 0.14    | 0.2   |
|                              | 0.16(0.32) |       | 0.35(0.7) |       | 0.08      | 0.16    | 0.24  |
| Applicable Beam Width b (mm) | 75-125     |       | 100-150   |       | 75-125    | 100-150 |       |
| Rating                       | 25%ED      |       |           |       | 25%ED     |         |       |

## With Motorized Trolley-st

This can be combined with a 4-point or 6-point pushbutton and used as a motorized trolley or overhead traveling crane.

### Dimensions



### Specifications table

| Chain Hoist Model Name       | 1S(H)     | 1SN(H) | 2S(H)   | 2SN(H)   | 3S(H)    |            |
|------------------------------|-----------|--------|---------|----------|----------|------------|
| Trolley Type                 | 1ST       |        | 2ST     |          | 3ST      |            |
| Rated Load (kg)              | 1,000     |        | 2,000   |          | 3,000    |            |
| Dimensions (mm)              | Z         | 578    | 578     | 700      | 700      | 852        |
|                              | A         | 216    | 216     | 216      | 216      | 216        |
|                              | B         | 216    | 246     | 216      | 246      | 216        |
|                              | C         | 135    | 135     | 90       | 90       | 125        |
|                              | D, D'(CE) | 170    | 170     | 215      | 215      | 270        |
|                              | E         | 730    | 730     | 772(842) |          | 900(1,115) |
|                              | G         | 23     | 23      | 26       | 26       | 42         |
|                              | I         | 125    |         | 160      |          | 192        |
|                              | J         | 125    |         | 177      |          | 192        |
|                              | K         | 98     |         | 120      |          | 148        |
|                              | L         | 156    |         | 163      |          | 180        |
|                              | T         | 101    |         | 119      |          | 140        |
|                              | U         | 18     |         | 19       |          | 5          |
| V                            | 130       |        | 135     |          | 145      |            |
| W                            | 255       |        | 270     |          | 280      |            |
| Min.Curve Radius (m)         | 1.8       |        | 2.5     |          | 3.0      |            |
| Applicable Beam Width b (mm) | 75-100    |        | 100-150 |          | 100-150  |            |
| Approx.Weight (kg)           | 60(65)    | 65(70) | 86(96)  | 91(101)  | 109(120) |            |

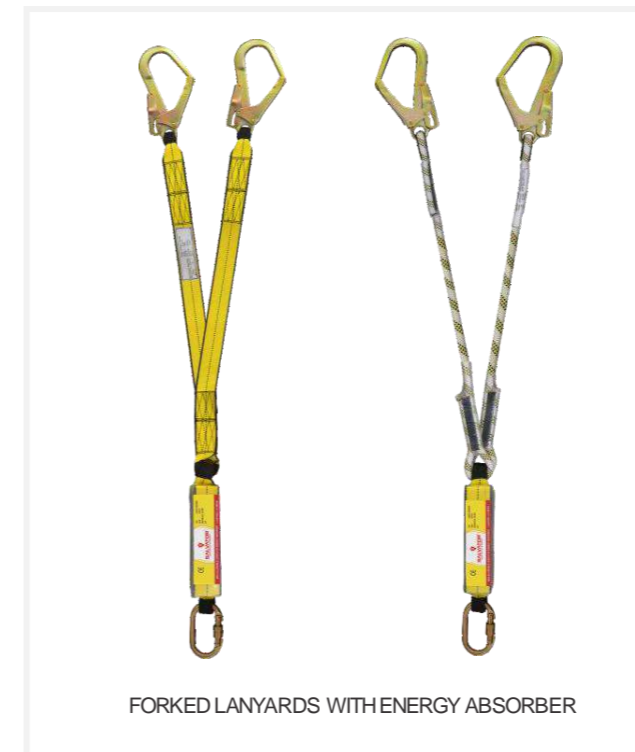
All dimensions and specifications are subject to change without notice.

# FALL PROTECTION

## Full Body Harness

A Full Body Harness is the ideal body wear that should be worn by a worker, since it distributes the force of impact incurred in the event of a fall evenly on the thighs and torso region of the body.

The material of construction of the webbing of RV Industries Harnesses is Polyester. Since this has the least elongation properties as compared to other materials, the Harness does not stretch dangerously when subjected to a fall. The wearer hence does not risk slipping out of the Harness.

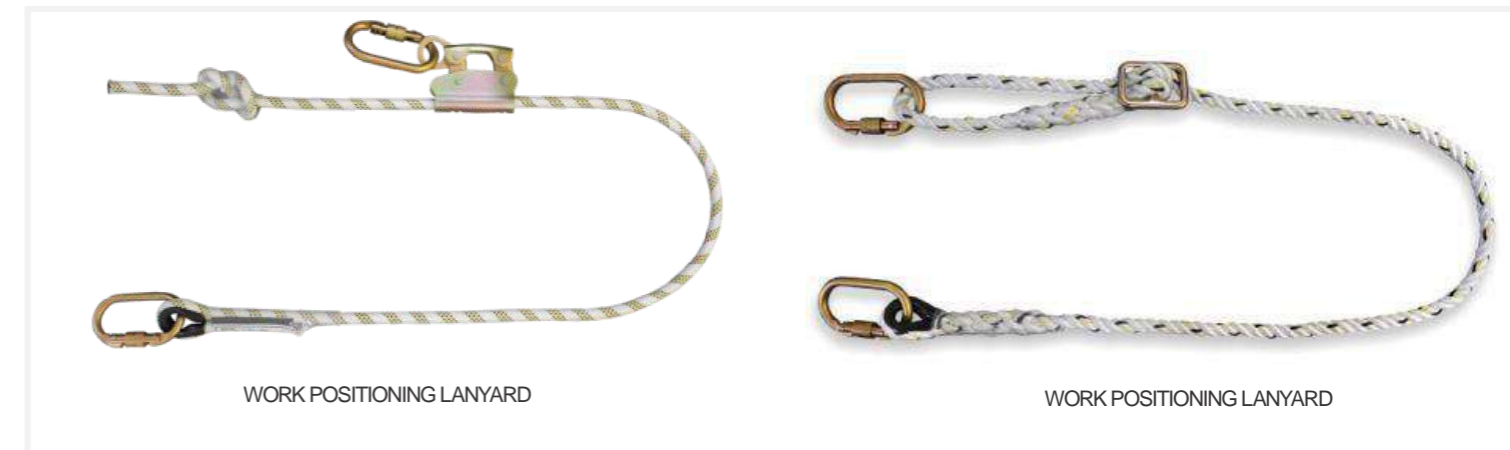


## Lanyards

The Fall Arrest Lanyards incorporate a shock absorbing element which is capable of limiting the force felt on the body of the worker to less than 6kN.

Depending upon the specific usage, Lanyards are classified as follows: Work Positioning Lanyards, Restraint Lanyards, Fall Arrest Lanyards & Forked Lanyards.

SALVATOR offers an exhaustive range of lanyards made of Twisted rope, Braided rope or Webbing, and different Connector combinations, as per the needs of the user.



**FALL PROTECTION**

**Retractable Block**

One of the biggest challenges in fall protection is when the anchorage is too high to access and the clearance distance is too small.

SALVATOR Retractable Fall Arrester Blocks provide an ideal solution for such a problem.



MINI MOBILE RETRACTABLE (MOBILOCK) BLOCK

TWIN RETRACTABLE BLOCK



POLYMER CASING WITH STAINLESS STEEL WIRE ROPE



TWIN LEGGED RETRACTABLE LANYARD



POLYMER CASING WITH 25MM WEBBING LANYARD



SINGLE PULLEY TRIPOD

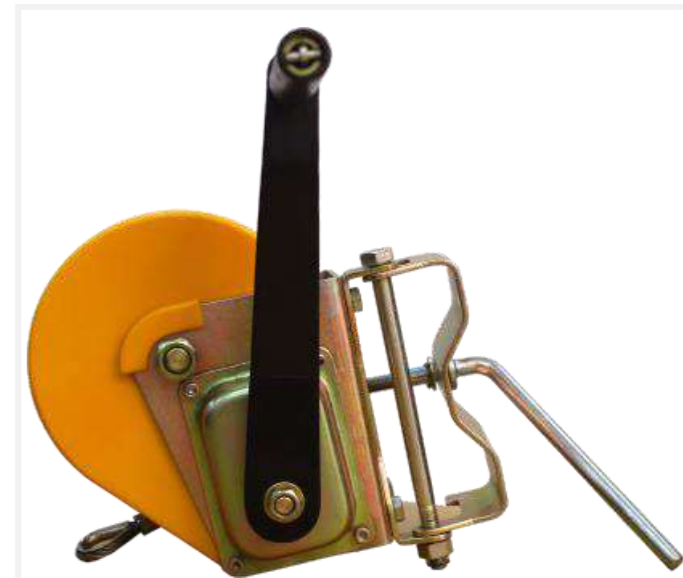


DOUBLE PULLEY TRIPOD

**Confined Space**

A Particularly challenging area of activity is when the worker is required to move into confined spaces.

SALVATOR provides equipment that allows easy overhead access into and retrieval of personnel and material from such confined space areas.



WINCH



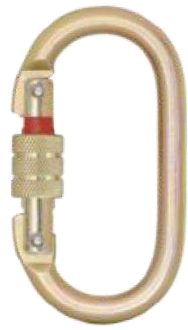
TRIPOD KIT BAG

# FALL PROTECTION

## Hooks & Connectors

The SALVATOR range of Hooks and Connectors comes with the following special features:

- Are openable by minimum 2 deliberate consecutive manual actions.
- A range of Manual and Automatic Locking Hooks and Connectors.
- Tested for both Gate Functions and Gate Resistance.
- Tested for corrosion resistance for minimum 72 hours of salt spray testing.
- Certified as per EN Norms.



STEEL SCREW LOCKING KARABINER



STEEL QUARTER TURN LOCKING KARABINER



STEEL TRIPLE ACTION LOCKING KARABINER



STEEL SNAP HOOK



STEEL SCAFFOLD HOOK



STEEL TOWER HOOK



SWIVEL HOOK WITH INDICATOR



ALUMINIUM DOUBLE LOCKING KARABINER



ALUMINIUM QUARTER TURN LOCKING HOOK



REBAR HOOK



ANCHORAGE STEEL WIRE ROPE SLING



FLANGE ANCHOR



HINGE ANCHOR WITH SWIVEL D-RING



STAINLESS STEEL CHEMICAL POINT ANCHOR

## Anchorage

Anchorage devices which can be easily installed over a variety of structures to provide a safe anchorage points for working at height where needed.

SALVATOR Anchorage devices and connectors are thoroughly tested and engineered to adapt to nearly every anchorage need where connection of a fall arrest system to a 15kN anchor point is necessary.

Whether you choose to tie off to your anchor point or an I-beam clamp, SALVATOR has the variety to get the job done.

SALVATOR offers a wide range of Anchorage Solutions in Webbing, Steel rope and Metal. All these Anchorages Comply to the Latest European Standard EN 795:2012.



ANCHORAGE WEBBING SLING



STEEL POINT ANCHOR

# FALL PROTECTION

## Temporary Anchorage Line System

SALVATOR provides a vast range of Temporary Horizontal & Vertical Anchorage Line Systems which are extremely easy to carry & install. These lifelines provide a suitable and safe anchorage to the user whenever needed.



TEMPORARY HORIZONTAL LIFELINE



GUIDED TYPE FALL ARRESTER SYSTEM ON FLEXIBLE ANCHORAGE LINES



GUIDED TYPE FALL ARRESTER SYSTEM ON FLEXIBLE ANCHORAGE LINES

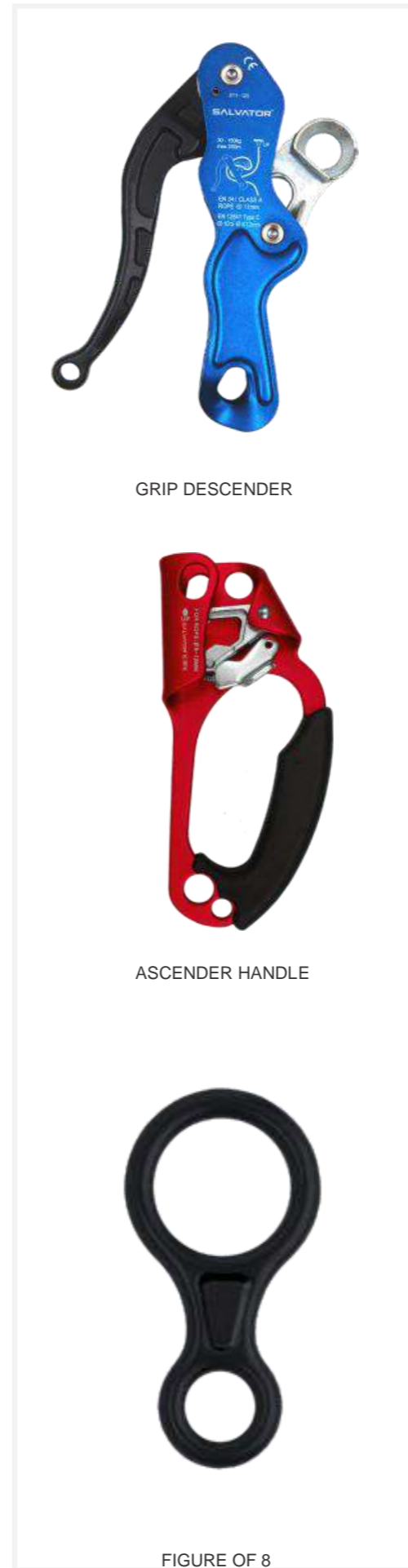


GUIDED TYPE FALL ARRESTER SYSTEM ON FLEXIBLE ANCHORAGE LINES



TWISTED ROPE ANCHORAGE LINE

BRAIDED ROPE ANCHORAGE LINE



GRIP DESCENDER

ASCENDER HANDLE

FIGURE OF 8

## Rope Access & Rescue

Rope Access technique of movement on a rope should only be used when traditional access systems cannot be installed. The basic rope access equipment should be used with a fall protection system.

Rescue technique is used in an emergency hence it is naturally the most sensitive. This intervention can be performed by the user him/ herself, if he/she is conscious and has the necessary equipment for self-extraction, or by a helper.

In this situation it is necessary to be able to reach the victim, release him/ her in complete safety and move the person upwards or downwards.



STEEL PULLEY DOUBLE SIDE ATTACHMENT

ROPE CLAMP



ALUMINIUM DOUBLE PULLEY DOUBLE SIDE ATTACHMENT

PILOT CHAIR







**MAFT**

Manarat Al Falah Trading LLC

Sharjah, Industrial Area-1, UAE

Landline: 065791070 Mobile: 0526413562

Mobile: 0564002595

[Email:Sales@maft.ae](mailto:Sales@maft.ae)