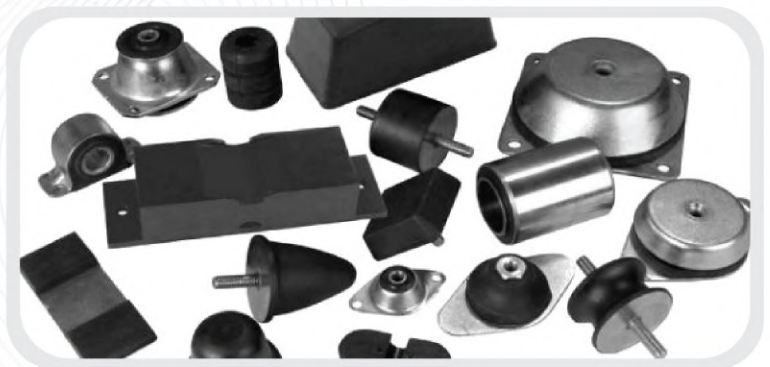




GLOBAL RUBBER INDUSTRY L.L.C

Ajman - U.A.E

Manufactures of Rubber, PolyUrethane & Engineering Plastic Products



Cement, Interlock & Precast Products

Conveyor Belt & Rollers

Material available in conveyor parts, Idler rollers, impact rings, Lagged rollers in different pattern, Plain & Chevron Conveyor Belts, Hot & Cold vulcanizing joining.



Airport, Rail & Transportation Wheels

Rubber & PU Wheels

Material available for new Rubber coating on wheels & PU coating for used wheels.



Industrial & Mechanical Products

Mountings & Anti Vibration Pad

Anti vibration mounts and pads used in variety of products to serve industrial applications such as engines, compressor, generating sets, processing machinery etc.



Marine Products

Fenders, Dock and Body Bumpers

Ideal for truck and trailer bodies equipment, material handling areas, loading docks and bays. Body Bumpers are protect vehicle and structure from damage on impact. Available in square, rectangular half round and custom sizes.

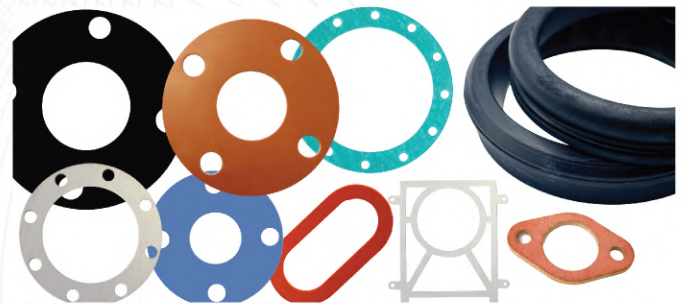


Oil, Petroleum & Gas Products

O Rings & Gaskets

We are a leading provider of rubber seals, O-rings, rubber gaskets and customized size gaskets on the specified applications.

POLYMER: NBR, VITON, SILICONE & NEOPRENE etc.



Construction & Proofing Products

Extruded & U Bolt Products

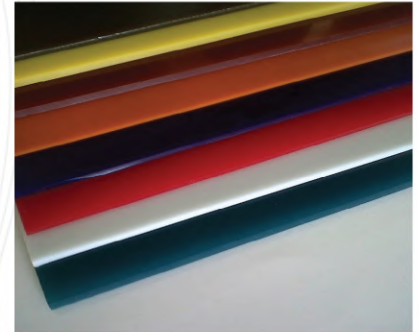
Material available in EPDM, Neoprene, Silicone & Viton Rubber



Polyurethane (PU) & Squeegee Products

We are offering wide range of Polyurethane products, which includes round, rectangular, square bars, blocks, sheets, trolley wheels rollers and pads. These can be availed in the form of finishes machined & molded components. Further, these can be modified as per clients' requirements and demands.

- High Tear Strength
- Wide range of Hardness
- Noise & Vibration Damping
- Excellent Hydrolysis stability
- Wide Resilience (Rebound)
- High load bearing capacity
- Resistance to greases, aliphatic hydrocarbons, oxygen and ozone



Rubber Sheets

Manufactures wide range of Rubber Sheets, Floorings, Matting and available with fabric reinforcements for general, Industrial and construction application.

POLYMER: NEOPRENE, NITRILE, NATURAL, EPDM, SILICON, VITON etc.





COMPANY PROFILE

2023

Global Rubber Industry L.L.C



CONTENTS

Company Overview

About Global Rubber Industry

Our Vision , Our Mission, Core Values

Our Products

- 1.Container Rubber Seals
- 2.Curtain Wall Profiles
- 3.Edge Protectors
- 4.Electrical Switch Gear & Panels
- 5.EPDM & Silicon Extruded Profiles
- 6.EPDM Rubber Profiles Solid & Sponge
- 7.Setting Blocks
- 8.Sponge Profiles
- 9.Hydraulic and Pneumatic Rubber Seals
- 10.Custom Moulded Products
- 11.Oil Seals and Rotary Shaft Rubber Seals
- 12.Pipe Clamping Profiles
- 13.PU Wheels
- 14.Rubber Bellows
- 15.Rubber Bushes
- 16.Rubber Composite Panels
- 17.Rubber Cords & Strips
- 18.Rubber Coupling
- 19.Rubber Diaphragms
- 20.Rubber Expansion Joints
- 21.Rubber Fenders
- 22.Rubber Filler Profiles
- 23.Gaskets
- 24.Rubber Grommets
- 25.Rubber Mountings
- 26.Rubber O-Rings
- 27.Rubber Plugs
- 28.PU Rollers
- 29.PU Seals
- 30.Rubber Seat Rings
- 31.Rubber Sheets (NR, SBR, CR, etc)
- 32.Rubber Structural Glazing.
- 33.Rubber Tension Pads
- 34.Rubber Tension Wheels
- 35.Rubber Washers
- 36.Rubber X-Rings
- 37.Silicon Rubber Profiles Solid & Sponge
- 38.Sliding/Hinged Doors & Windows / Curtain Wall
- 39.Thermal Breaker PVC & PA66-G
- 40.Universal Door Profiles.

Our Contact Address



INTRODUCTION

UAE'S LARGEST RUBBER MANUFACTURING COMPANY

OVERVIEW

A renowned chemist and author, the late Ralph Wolf, in an article in the October 1964 edition of "Rubber World" had rightly said "Civilization as we know it today is wholly dependent upon rubber....." According to him, rubber is a material of varied uses. It is indispensable in transportation, in communication, in providing us with light and power, in cushioning our bodies, in games and in many more uses in modern lives.

The production of rubber and products made of rubber is a large and diverse industry. Rubber industry is an important resource based industry sector in the world. It has witnessed a steady and strong growth over the years. Because of the wide application of rubber in both tires and non-tire applications, the present scenario as well as the future of the rubber industry is tied to the global economy.

About GRI

Global Rubber Industry L.L.C setup up in 2018 is an ISO 9001:2008 certified Rubber Factory located at Al Jurf-2, Ajman, UAE.

GRI is one of the UAE's largest supplier of rubber and Polyurethane related Products. Our product list ranges from Architectural Profiles (EPDM, Silicone rubber & PVC); Marine Fenders, Boat fenders; Offshore Products; Rubber rollers, Polyurethane products; Rubber sheets & Custom molded rubber products.

We have a well-equipped tool room facility with highly skilled die makers backed up with experienced technicians to cater to your requirements.



OUR VISION

we aim to ensure total customer satisfaction through continuous improvement in production and process, keeping abreast of latest technological developments to deliver quality products on time. To be the most trusted manufacturer of all kinds of Rubber Product.

OUR MISSION

We strive to bring in balance by delivering highest-quality, sustainable solutions at affordable prices, expanding our reach in the International rubber market.

CORE VALUES

Innovations

Goal

Team work

Commitment

Integrity

Responsibility

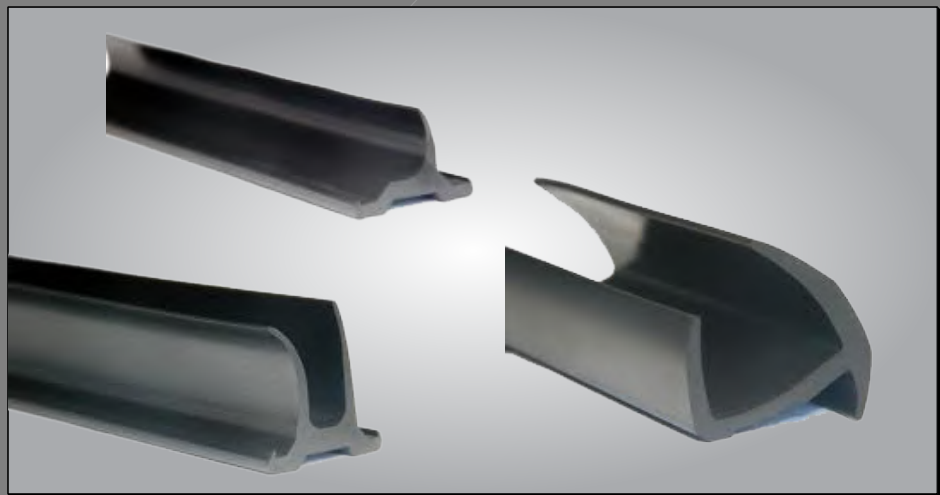
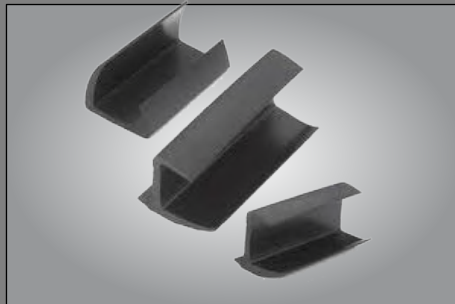
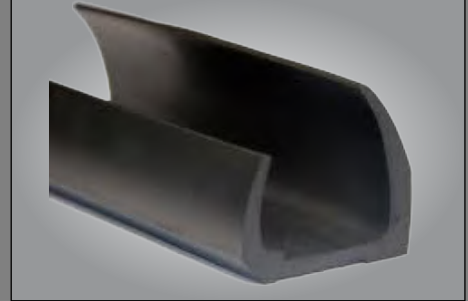
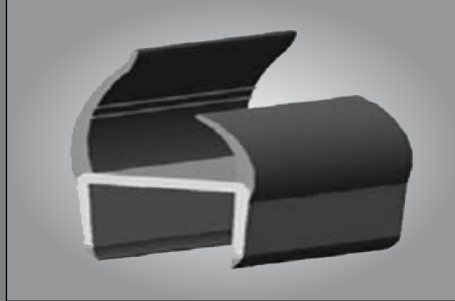




Container Rubber Seals

PRODUCT DESCRIPTION

Global Rubber Industry can supply a wide range of container door seals. These seals are designed to provide excellent sealing properties in a variety of environments. We can supply a diverse range of shapes and sizes to suit almost all container types.

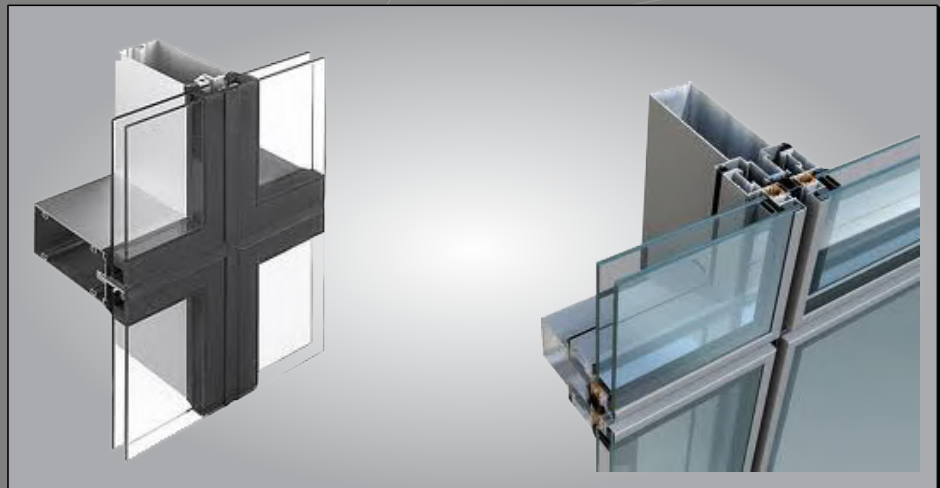
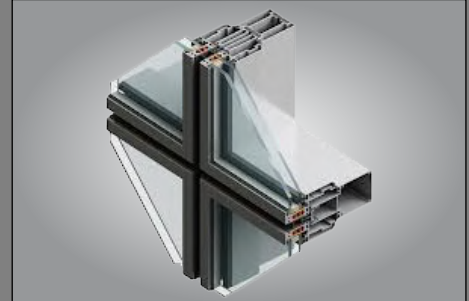
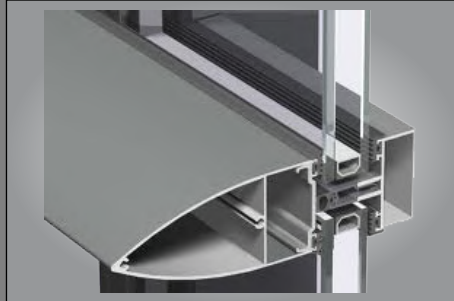




Curtain Wall Profiles

PRODUCT DESCRIPTION

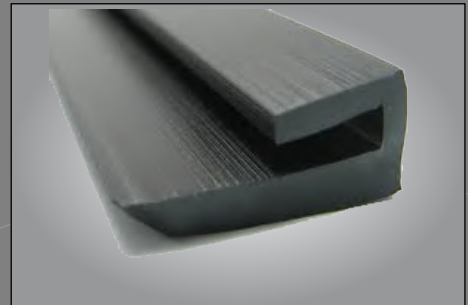
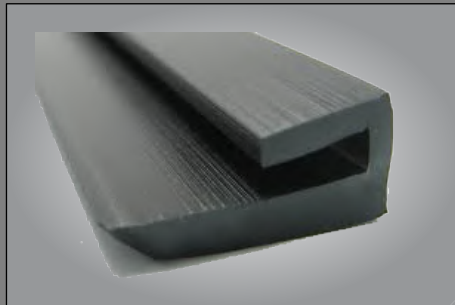
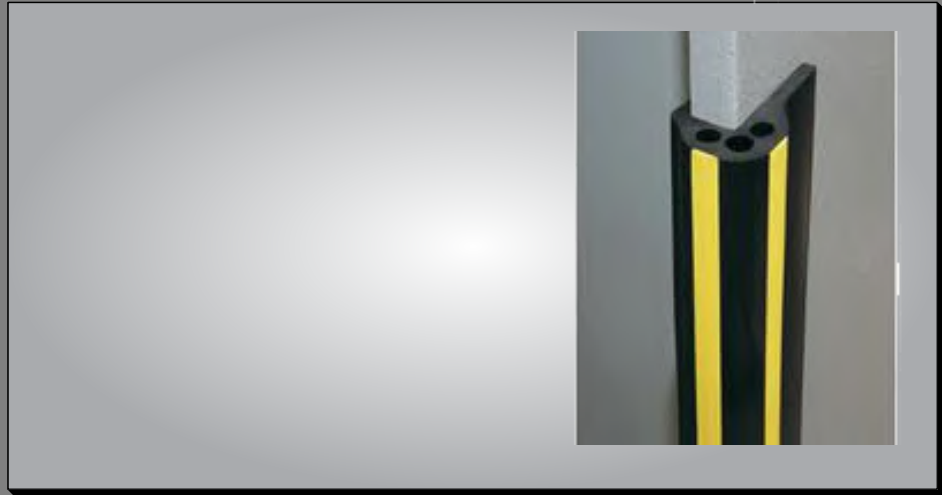
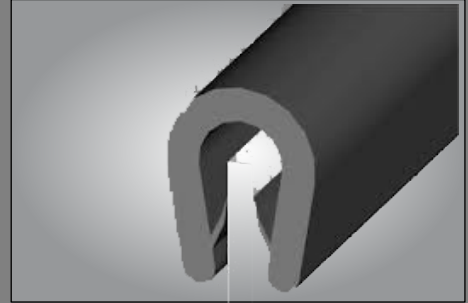
As a prominent manufacturer and supplier, we are involved in offering excellent quality Rubber Curtain Wall Profiles. These curtain wall profiles are available in various materials, sizes, and dimensions as per the requirements of our valuable clients. Offered products are checked on various parameters for providing a defect-free range of products.





Edge Protectors

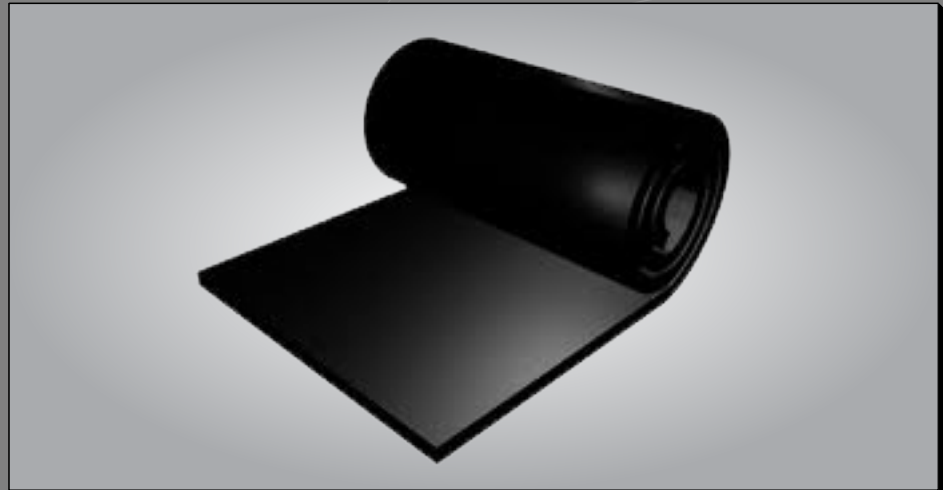
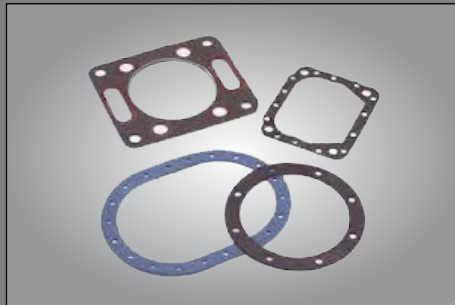
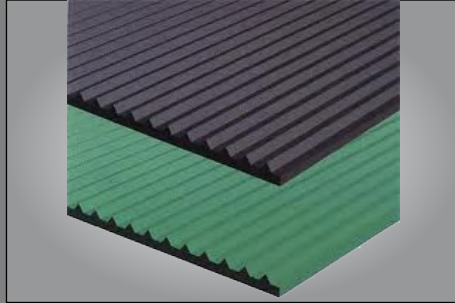
PRODUCT DESCRIPTION





Electrical Switch Gear & Panels

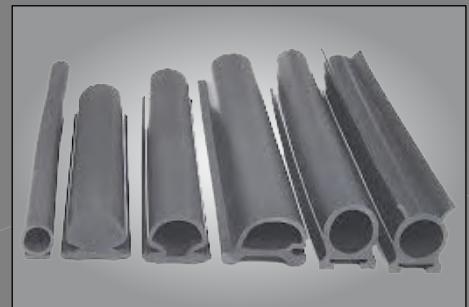
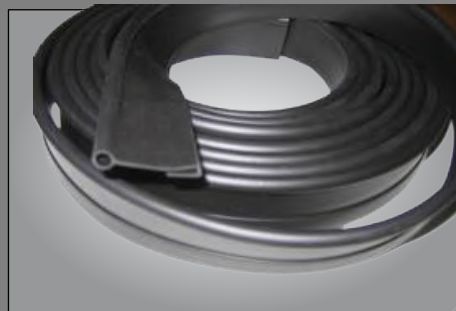
PRODUCT DESCRIPTION





EPDM & Silicon Extruded Profiles

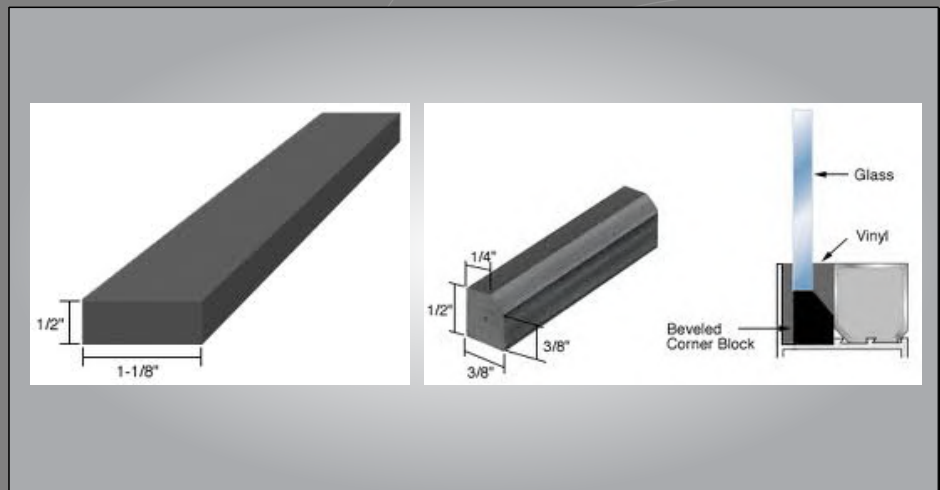
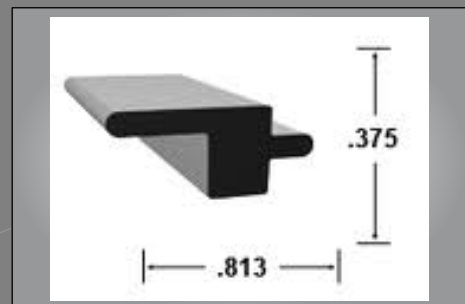
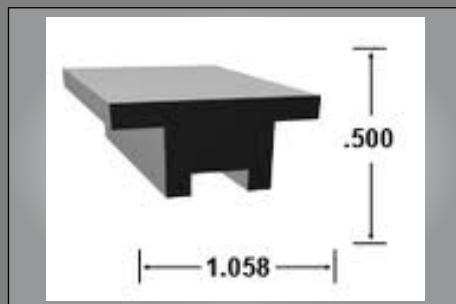
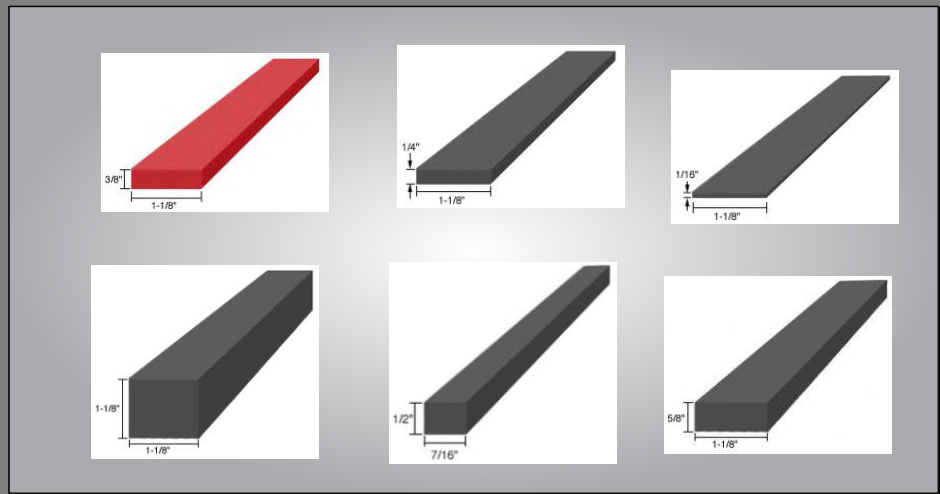
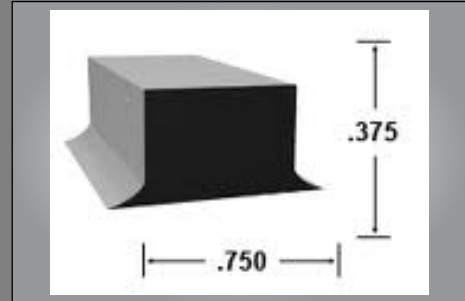
PRODUCT DESCRIPTION





Setting Blocks

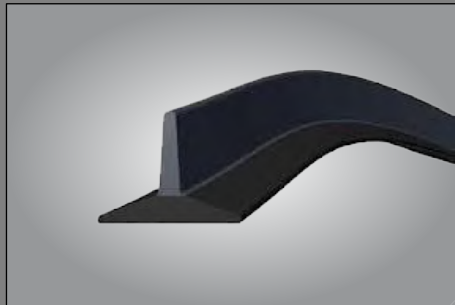
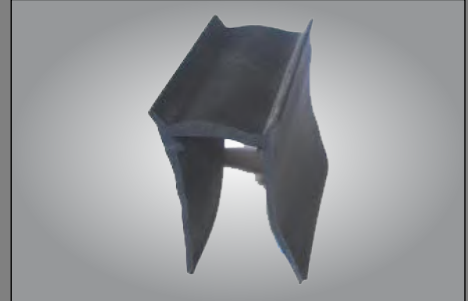
PRODUCT DESCRIPTION





EPDM Rubber Profiles Solid & Sponge

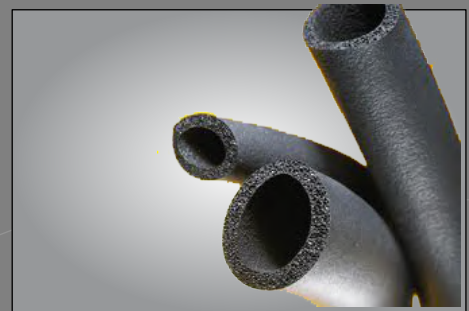
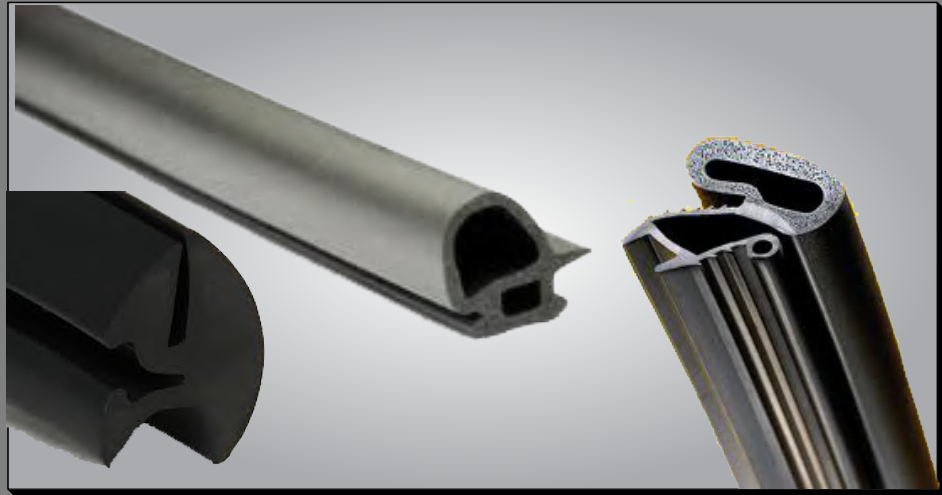
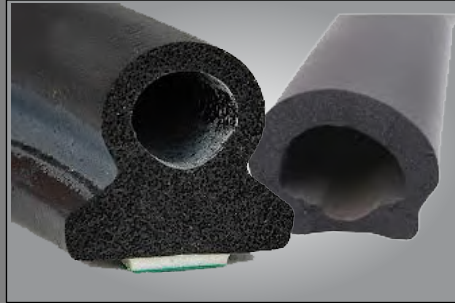
PRODUCT DESCRIPTION





PRODUCT DESCRIPTION

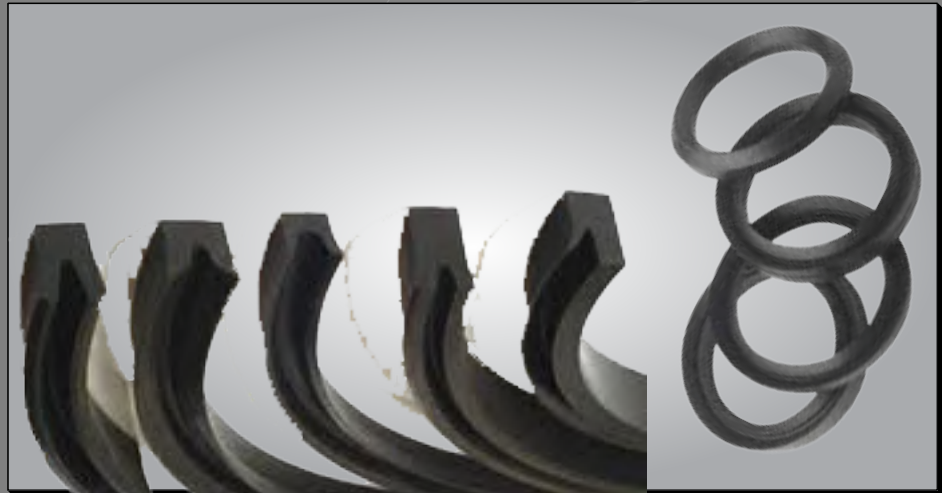
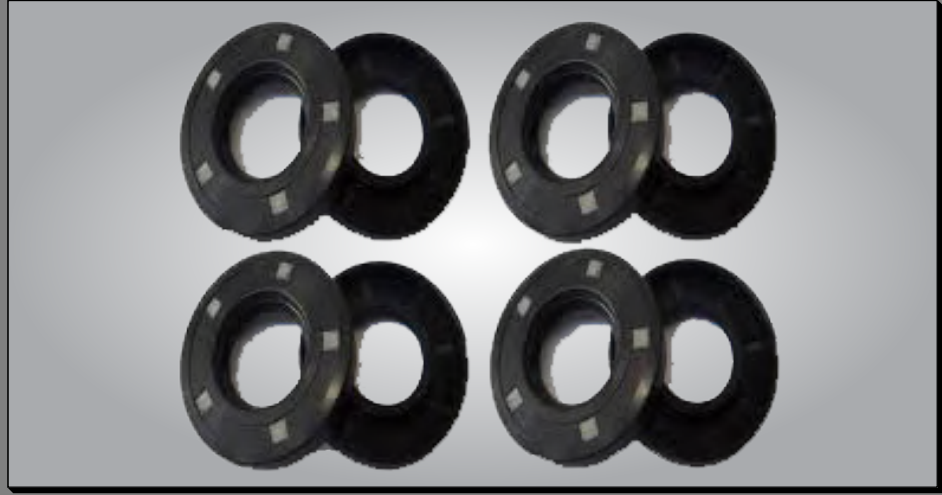
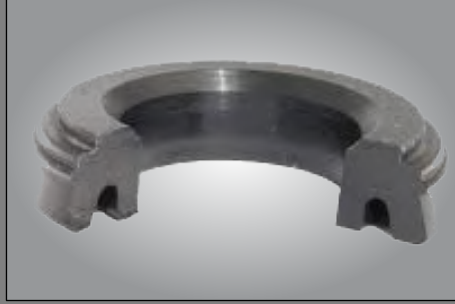
Sponge Profiles





Hydraulic and Pneumatic Rubber Seals

PRODUCT DESCRIPTION





Custom Moulded Products

PRODUCT DESCRIPTION





Oil Seals and Rotary Shaft Rubber Seals

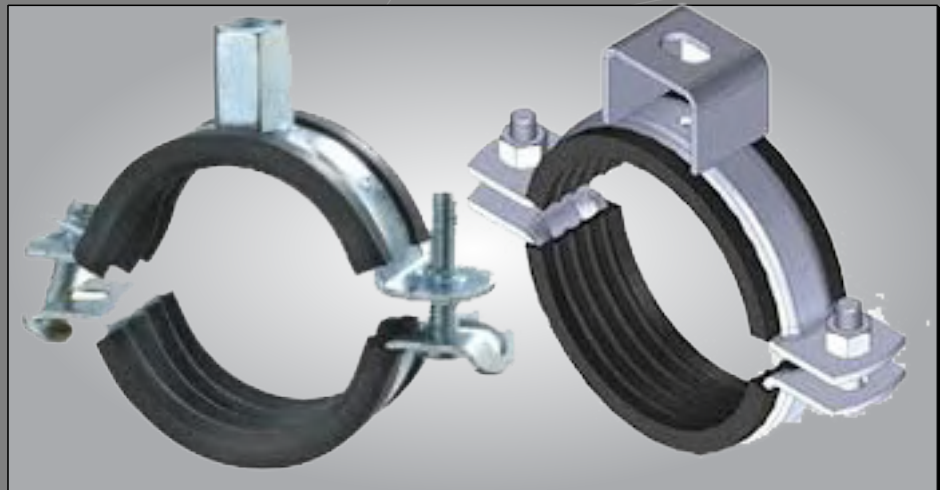
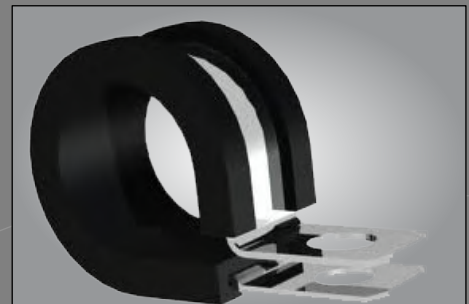
PRODUCT DESCRIPTION





Pipe Clamping Profiles

PRODUCT DESCRIPTION





PU Wheels

PRODUCT DESCRIPTION





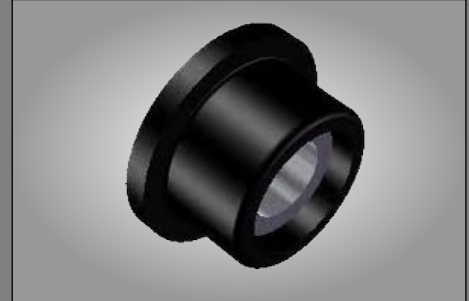
Rubber Bellows

PRODUCT DESCRIPTION





PRODUCT DESCRIPTION

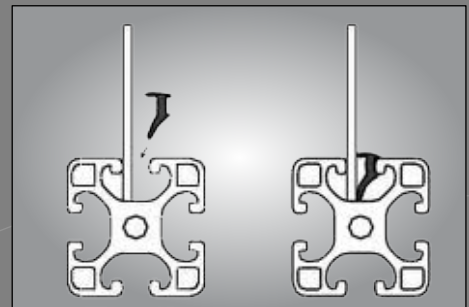
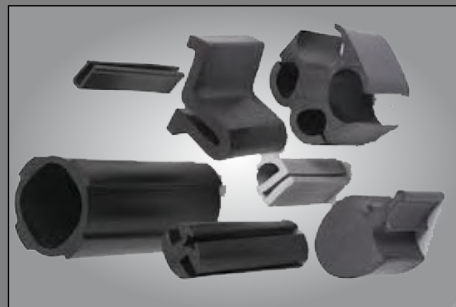


Rubber Bushes



Rubber Composite Panels

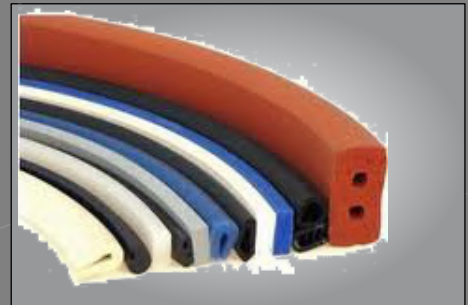
PRODUCT DESCRIPTION





Rubber Cords & Strips

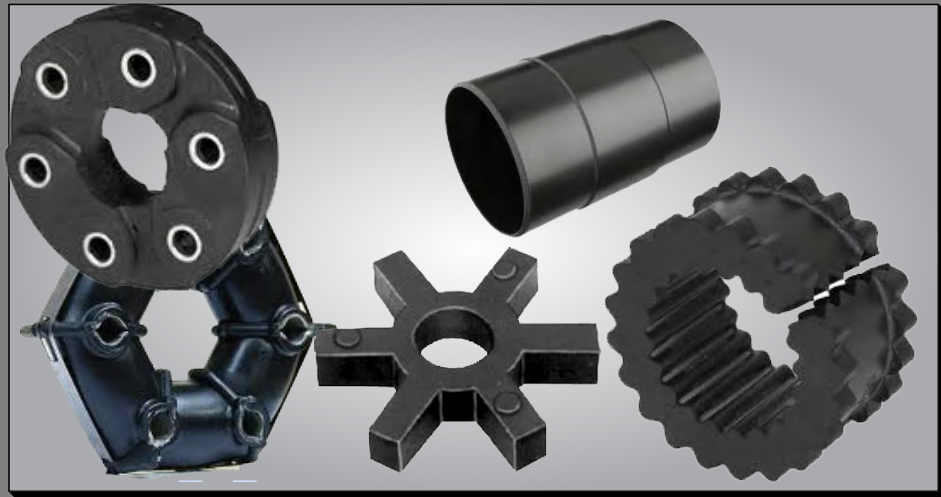
PRODUCT DESCRIPTION





Global Rubber Industry L.L.C

PRODUCT DESCRIPTION



Rubber Coupling



Rubber Diaphragms

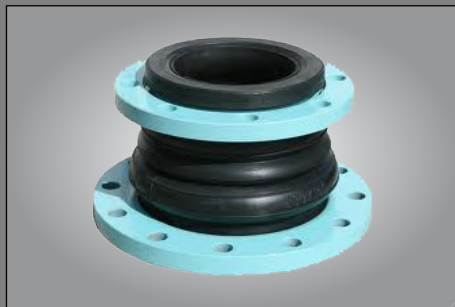
PRODUCT DESCRIPTION





Rubber Expansion Joints

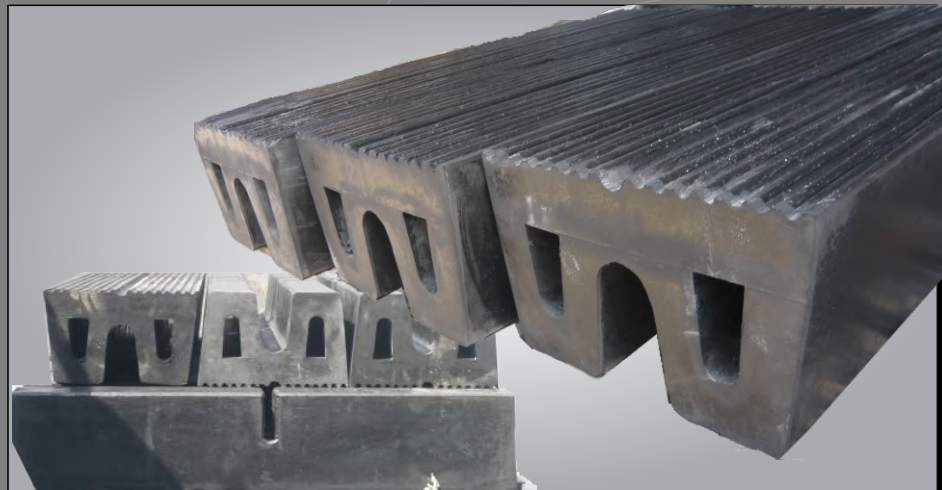
PRODUCT DESCRIPTION





PRODUCT DESCRIPTION

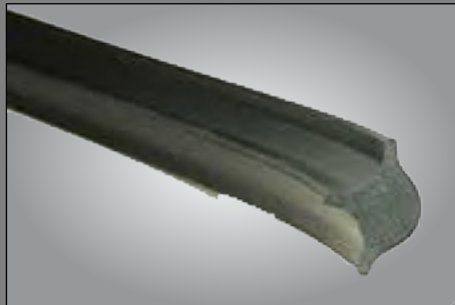
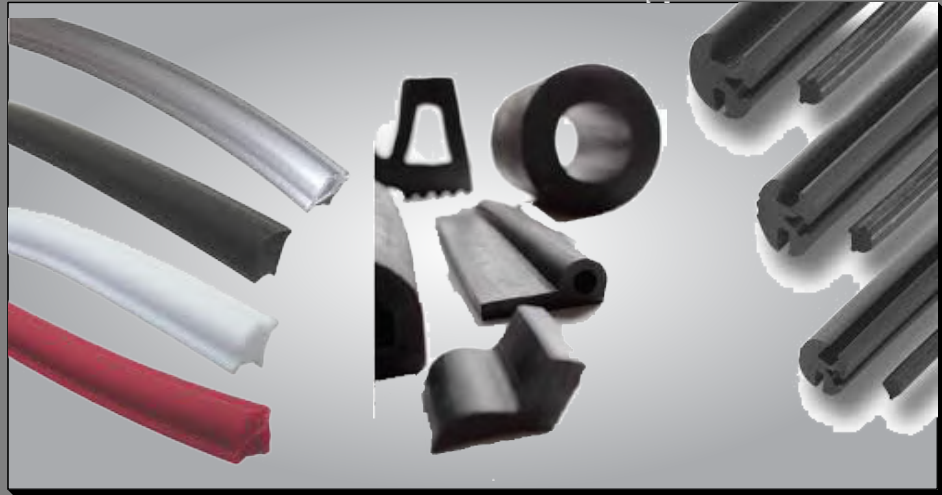
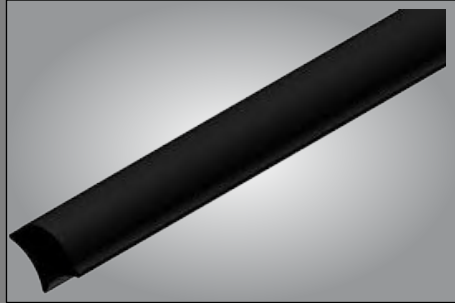
Rubber Fenders





Rubber Filler Profiles

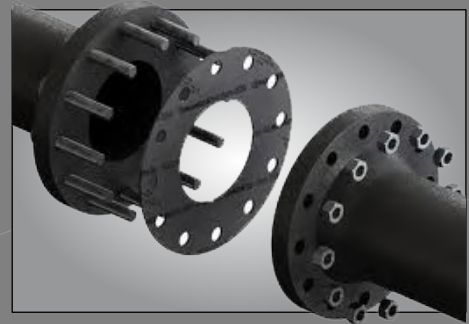
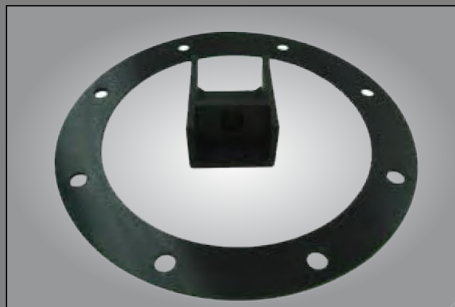
PRODUCT DESCRIPTION





Gaskets

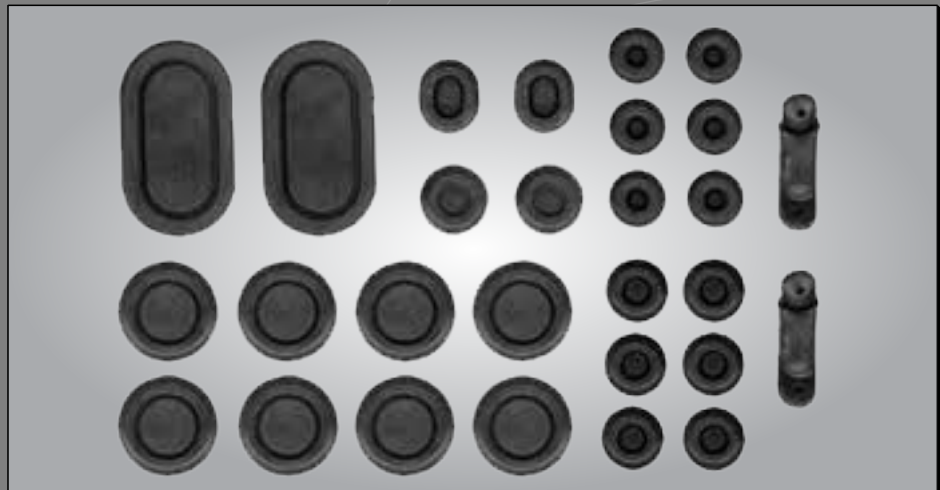
PRODUCT DESCRIPTION





Rubber Grommets

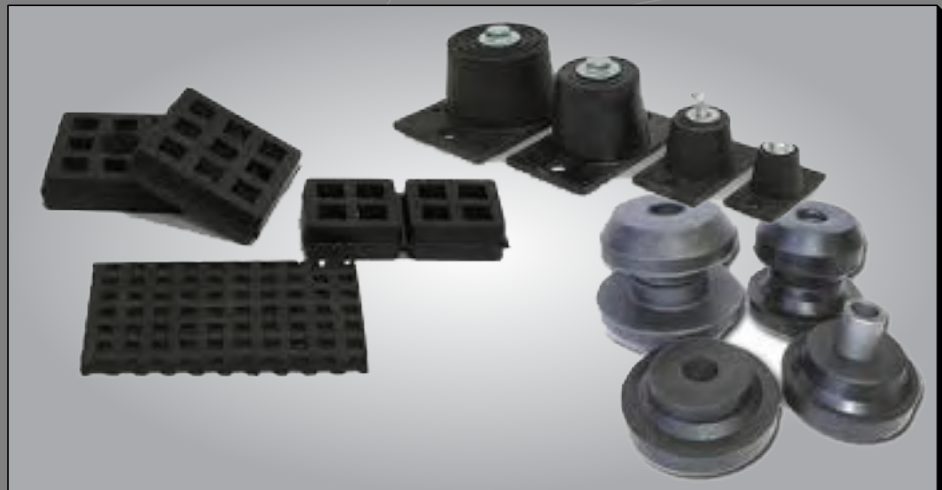
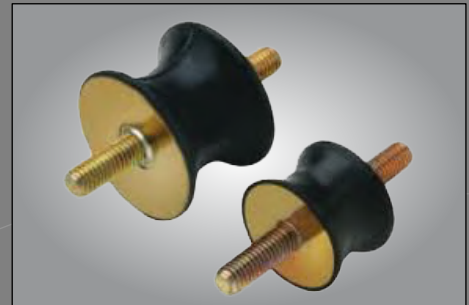
PRODUCT DESCRIPTION





Rubber Mountings

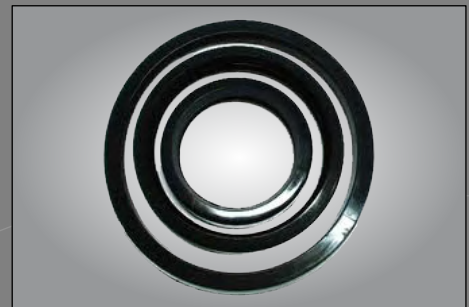
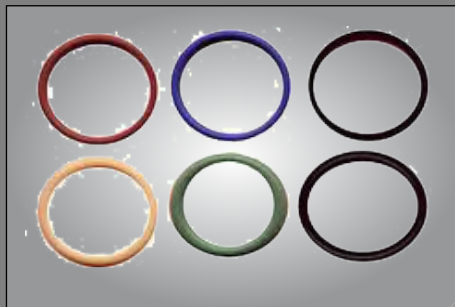
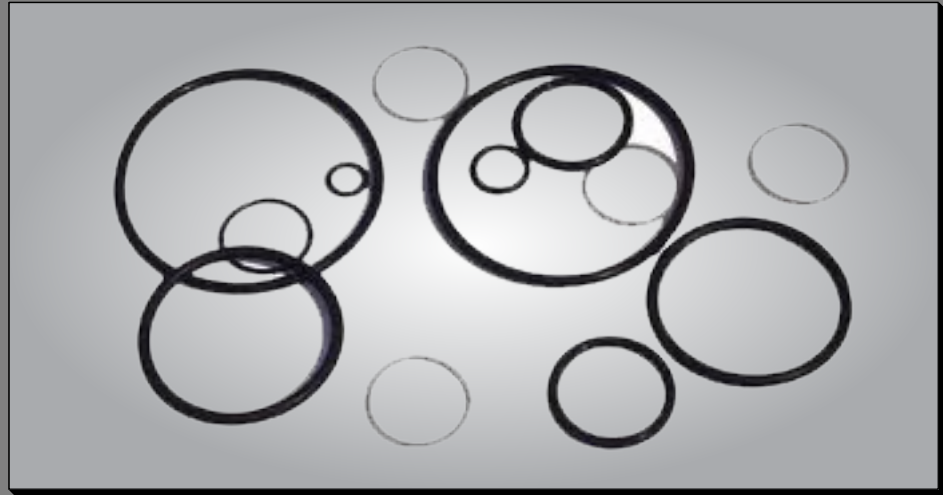
PRODUCT DESCRIPTION





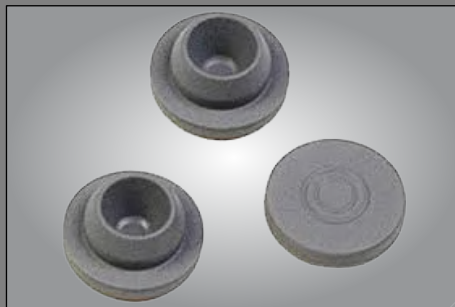
Rubber O-Rings

PRODUCT DESCRIPTION





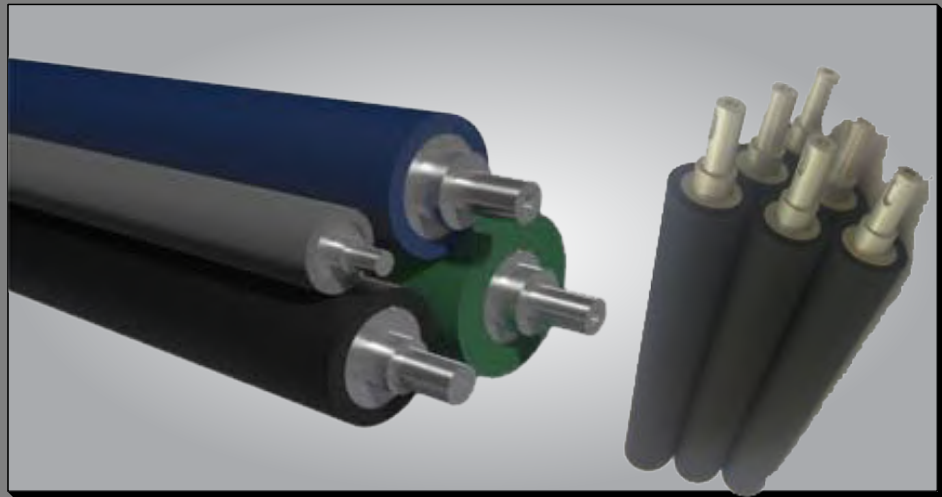
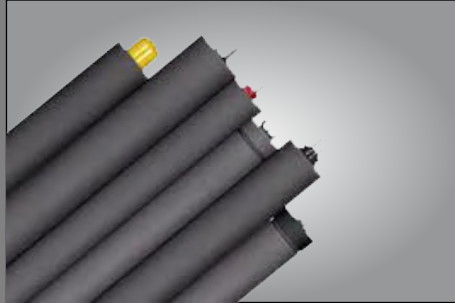
PRODUCT DESCRIPTION



Rubber Plugs



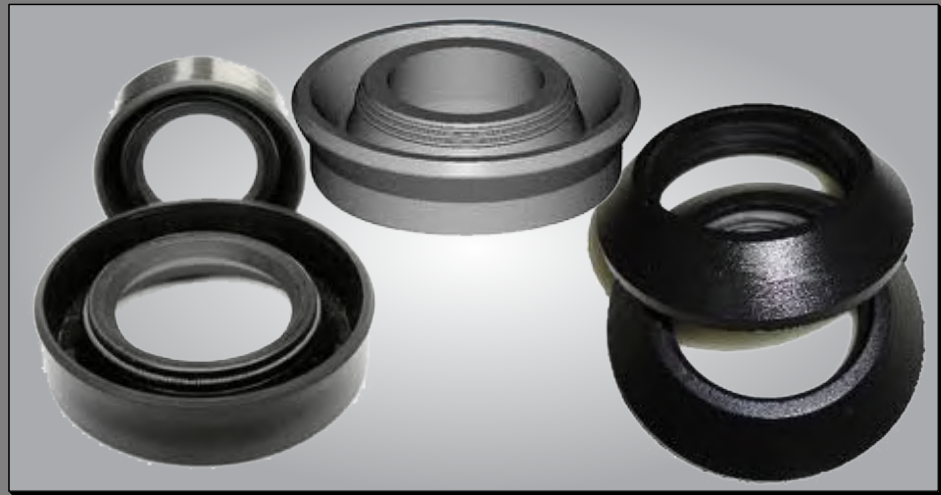
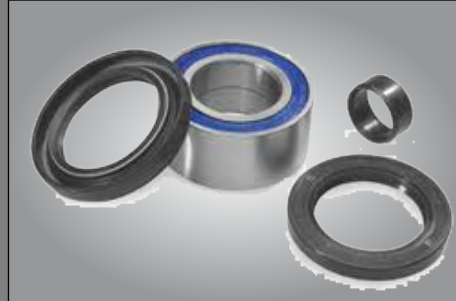
PRODUCT DESCRIPTION



PU Rollers



PRODUCT DESCRIPTION

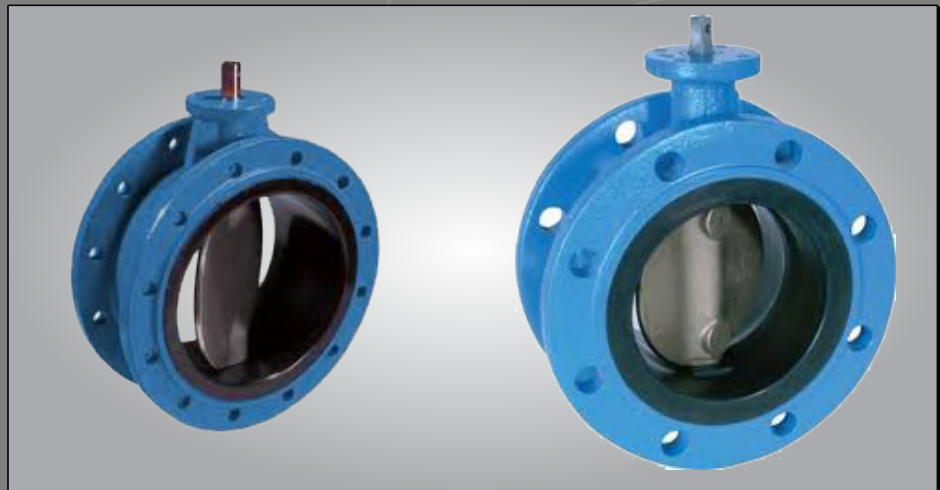
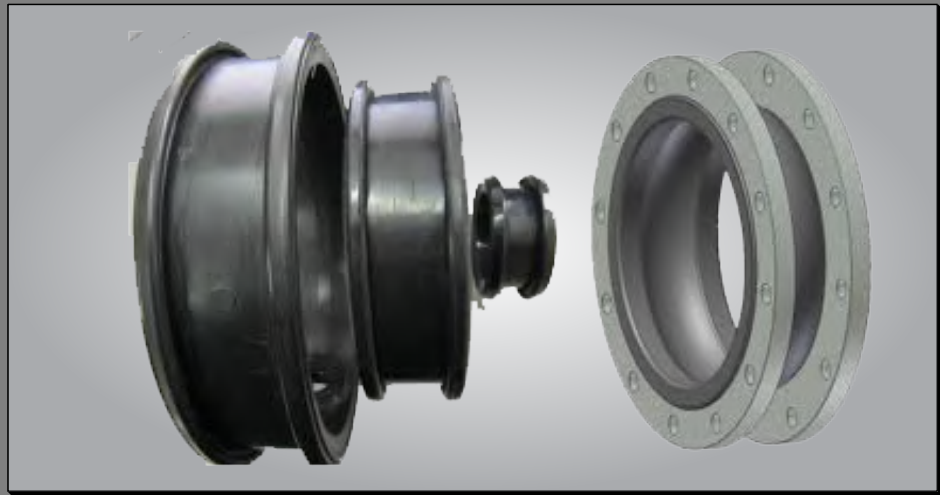


PU Seals



Rubber Seat Rings

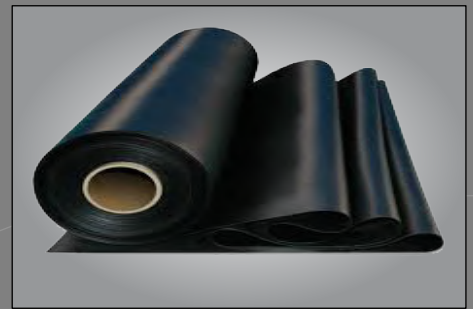
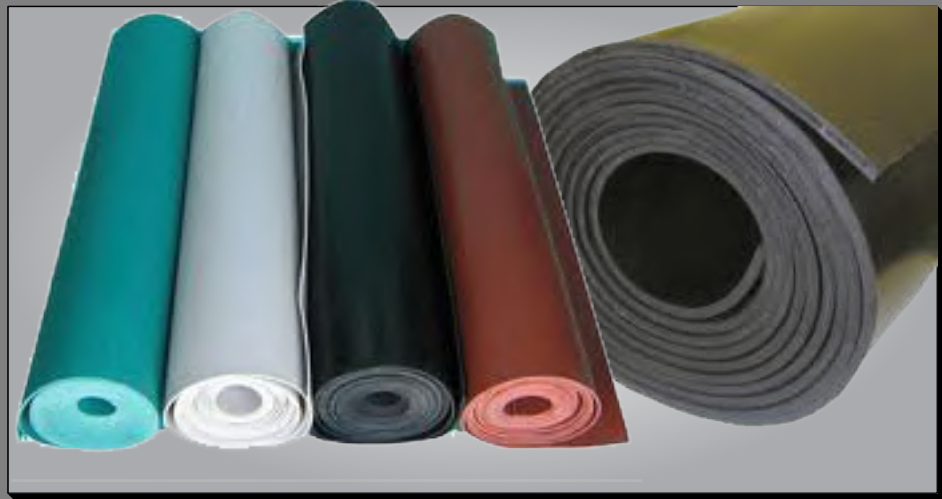
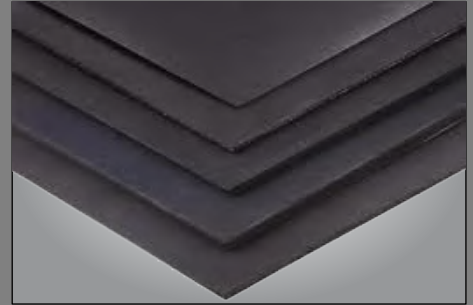
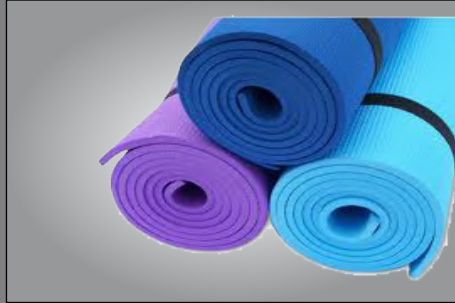
PRODUCT DESCRIPTION





Global Rubber Industry L.L.C

PRODUCT DESCRIPTION

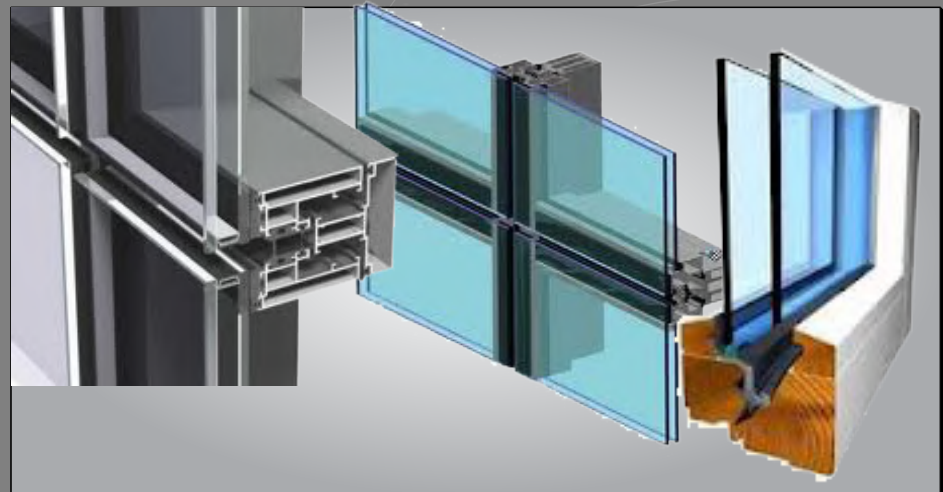
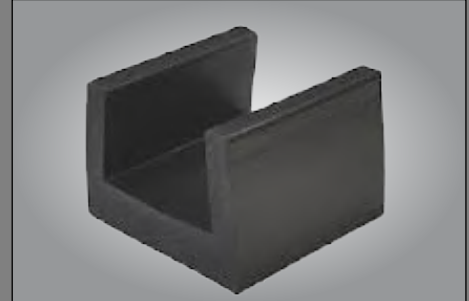


Rubber Sheets



Rubber Structural Glazing

PRODUCT DESCRIPTION





Rubber Tension Pads

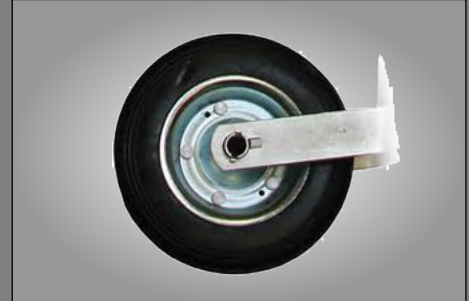
PRODUCT DESCRIPTION





Rubber Tension Wheels

PRODUCT DESCRIPTION





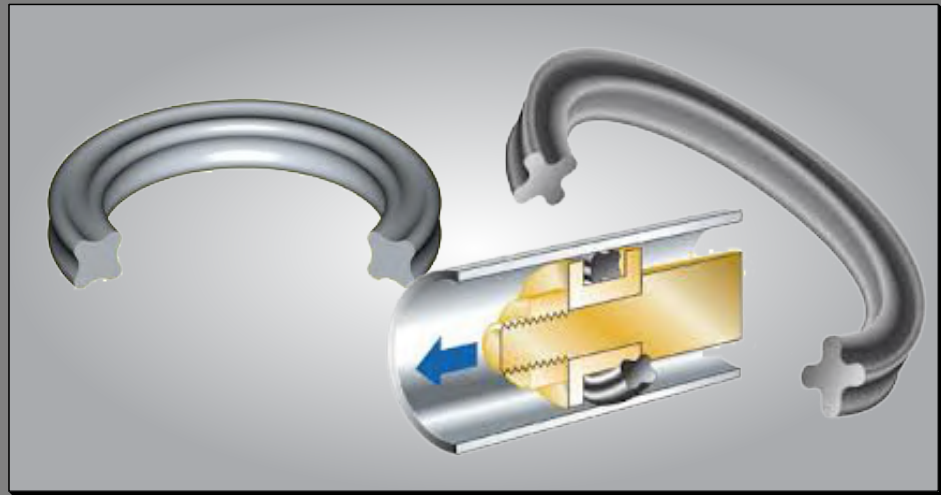
Rubber Washers

PRODUCT DESCRIPTION





PRODUCT DESCRIPTION

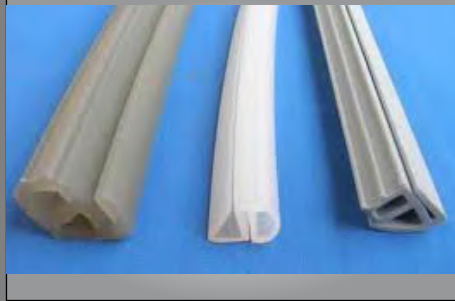


Rubber X-Rings



Silicon Rubber Profiles Solid & Sponge

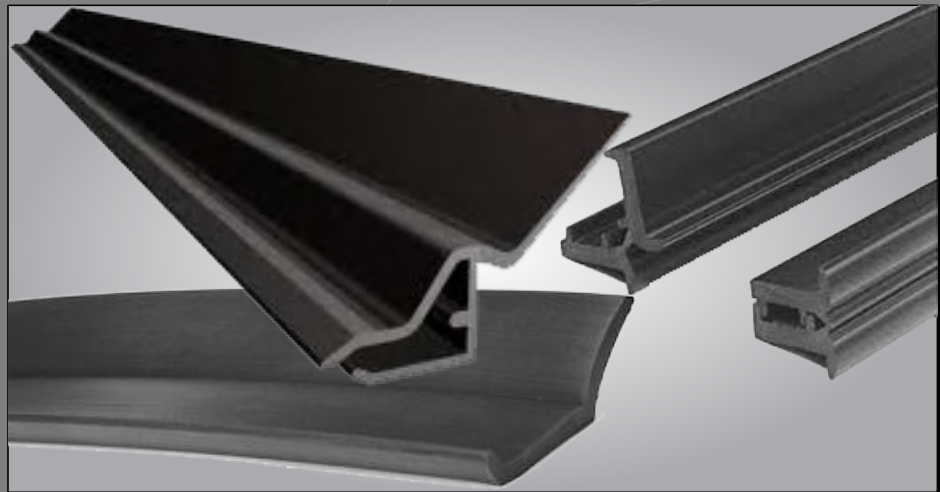
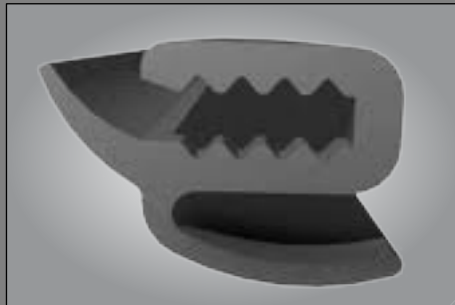
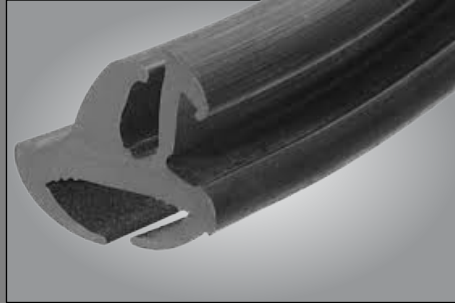
PRODUCT DESCRIPTION





Sliding/Hinged Doors & Windows / Curtains Wall

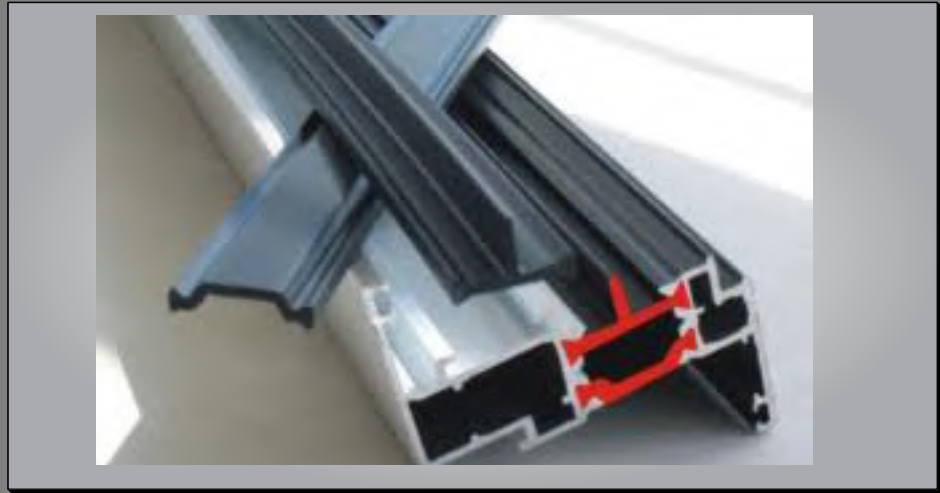
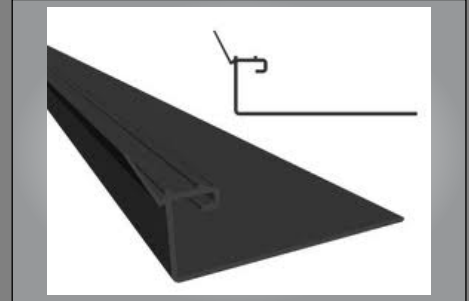
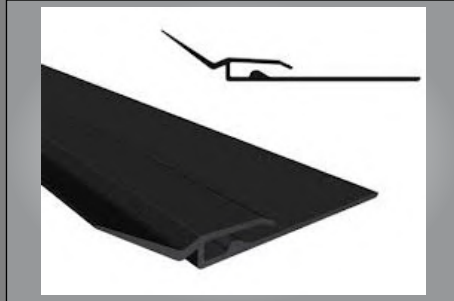
PRODUCT DESCRIPTION





Thermal Breaker PVC & PA66-G

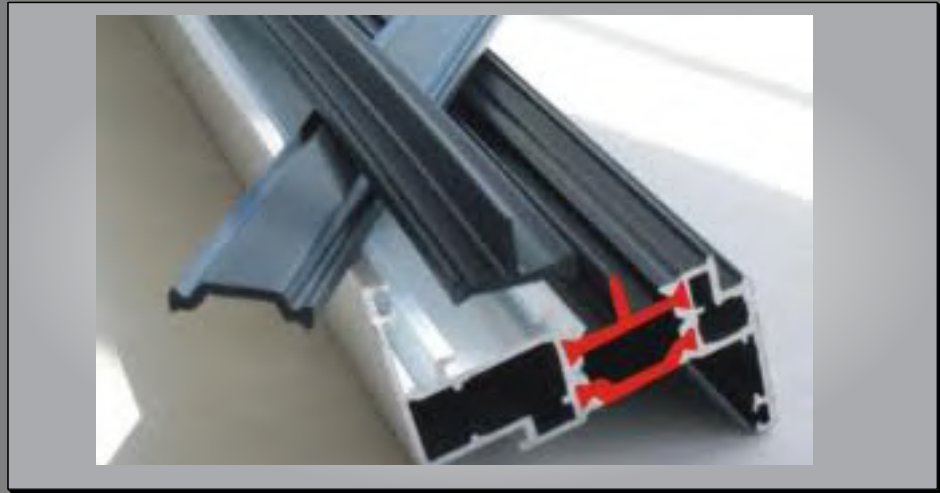
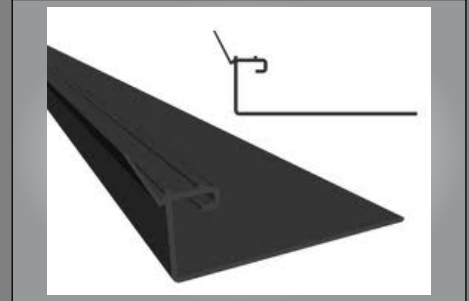
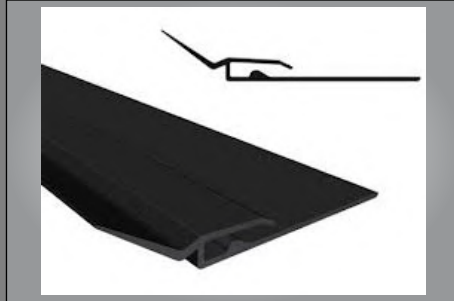
PRODUCT DESCRIPTION





Universal Door Profiles

PRODUCT DESCRIPTION





CONTACT US

We priorities any request regarding custom rubber products we are having experience and expertise in delivering and fullfilling complex products by our engenering capabalities please choose the appropriate department to get in touch with

Mobile: +971 55 2194666

Tel.: +971

P.O.Box: 4381, Ajman-UAE.

Al Jurf-2, Ajman, UAE

Email: globalrubbersales@gmail.com

globalrubber18@gmail.com