

# A Family of Quality

**MASTERCOTE**  
Fluorocarbon Coated  
Bolts & Nuts

**M-RAK**  
Cable Support Systems



**DIMET**  
Cathodic Protection Systems

**TRISTAR**  
Bolting  Services  
Torqueing Tools & Services



**Pile-Gard**  
Splashzone  
Wrapping System

  
ZINGA  
Film Galvanising System

**MCM**  
MC MILLER Co.  
Cathodic Protection  
Monitoring Equipment

**FSI**  
Flange  
Insulation Kits

**TRI-STAR MIDDLE EAST IND LLC**

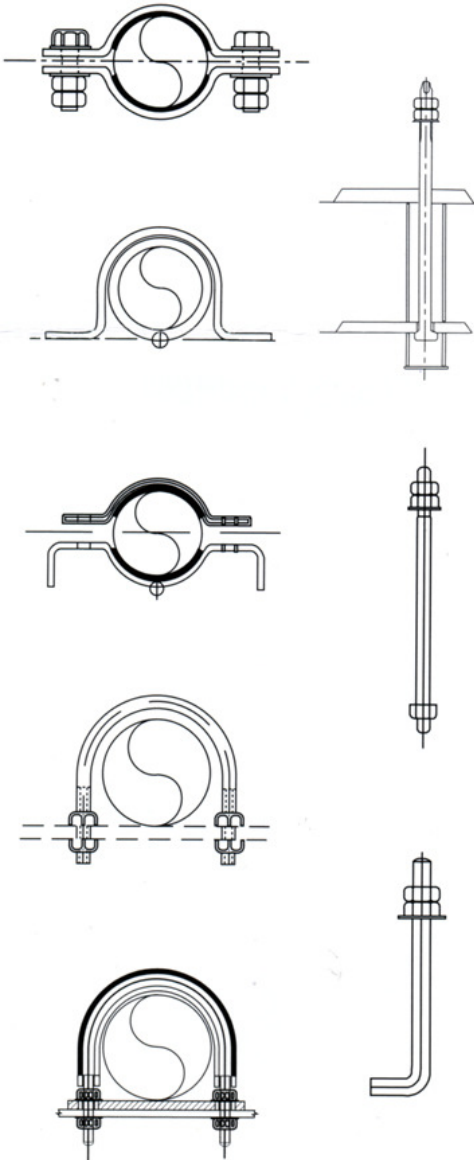




# Quality Bolting System

## Made to Order Industrial Fasteners, Studs, Anchor bolts, U-bolts, Pipe Clamps, J-Bolts, etc

Comprehensive portfolio of precision engineering studs, U-bolts and J-bolts in sizes from 0.25 to 6 inch diameter, available in both rolled or cut thread. Materials include carbon steel, alloys, stainless steel, galvanized, plated or coated.



## High Quality Specialty Bolts and Nuts



One end of the studbolt is marked with the relevant material grade symbol



Nut is marked with the relevant material grade symbol  
2H 2HM G4 G7 7M  
8 8M 8MA 8C



### Stocks

ASTM A193 B7 - Imperial sizes 3/8 to 4" dia  
- Metric sizes M12 to M52



ASTM A320 L7 - 1/2" to 4" dia

ASTM A193 B16 - 1/2" to 4" dia



ASTM A193/A320 B8 Class 2 & Class 1  
(SS304) 1/2" through to 2-3/4" dia

ASTM A193/A320 B8M Class 2 & Class 1  
(SS316) 1/2" to 2-3/4" dia

Stocks come complete with matching nuts



### Manufacturing Process

Studbolts are made from long length of bars. We sell studbolts and nuts plain, Mastercote coated, Cadmium, Zinc, Zinc-Nickel plated, Galvanised or with other types of coating.



### In-House Furnace

B7M/2HM and L7M/Gr 7M are produced in-house (tested and certified). These are then oiled, grit blasted, plated or Mastercote finished.



### Special Materials available on order

B8T, Titanium, Duplexes, Monel 400, K500, Hastelloy, Incoloy, Inconel, Nimonic, etc.

Bronzes: Phosphor bronze, brass, aluminium, manganese bronze, silicon bronze available on request.