

AK AL KUFAH

HARDWARE TRDG. L.L.C



PARANA

SOLAR
MACHINE SHOP TOOLING

TJ Taylor & Jones Ltd
reamer specialists

EDGE HOGE
CARBIDE AND HSS TOOLS



SUPERCUT
ROTABORS

MIRANDA TOOLS
Premium quality cutting tools

Hi CUT
Precision Tools



K-PRIX

CARBORUNDUM
ELECTRITE LLC
Бердiль нaд Жeнeвoу

CUMI
Abrasives

V-COIL
THREAD INSERT SYSTEM

VÖLKEL
THREADING SOLUTIONS

Mitutoyo

CASTLE
BROOKE
TOOLS (UK) LIMITED

VARDEX

KORLOY

WIDIA

TaeguTec
Member (UK) Group

MITSUBISHI
MITSUBISHI CARBIDE

UNIQUE
TRA TUFF VICES

DORMER

COMET
INDUSTRIES

IMPORTERS & STOCKIST OF CUTTING TOOLS/LATHE MACHINE TOOLS,
GRINDING ABRASIVES TOOLS, THREADING TOOLS,
MEASURING INSTRUMENTS, CNC MACHINE TOOLS & GENERAL HARDWARE SUPPLIER'S

TEL : +971 6 539 7866 / 539 6952

FAX : +971 6 539 8110

Web : www.alkufahhardware.com | Email : alkufah@emirates.net.ac

P.O. Box : 24368 SHARJAH - U.A.E. | VAT REG. NO. 10009619600

DIGIMATIC HEIGHT GAGE

SERIES 192 - Standard Type with SPC Data Output

FEATURES

- Easy to use standard type.
- Carbide tipped scriber is provided.
- Double column structure ensures high measuring accuracy.
- Coarse/fine feed switching.
- Switchable resolution
- Two preset reference height



TUBULAR INSIDE MICROMETERS

SERIES 137 - Extension Rod Type

FEATURES

- Wide Range of ID measurements by
- Combining extension rods (pipes) and anvils with the micrometer head.
- Carbide-tipped measuring faces are available.
- Supplied in fitted plastic case except 1500 mm/60" come in wooden case.



137 - 101



137 - 205



OUTSIDE MICROMETERS

SERIES 103

FEATURES

- Hammerstone, baked-enamel-finished frame.
- Ratched stop for exact repetitive readings
- With a standard bar except for 0-25mm model.

103 - 137



24165



20465

DIAL INDICATORS

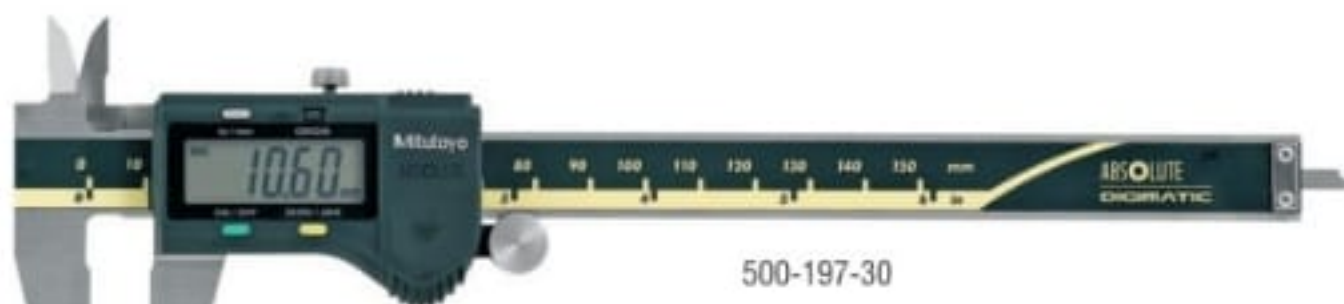
SERIES 2 - Standard Type, Inch Reading
Series 2 - Metric Standard Type

ABSOLUTE DIGIMATIC CALIPER

SERIES 500 - With Exclusive Absolute Encoder Technology

FEATURES

- High quality guide surface finish for smooth slider movement.



500-197-30



0-12"/0 | 500-754-10* | +/- .0015" | .0005"/0.01mm



BORE GAGES

SERIES 511 - for Small Holes

FEATURES

- Its interchangeable anvils are made of alloyed steel.
- The dial indicator is fully protected by a rugged cover.



SURFACE PLATE



FACE MILL ARBOR



FACE MILLING CUTTER



MILLING COLLET HOLDER



BULL NOSE CENTER



MORSE TAPER ADAPTER



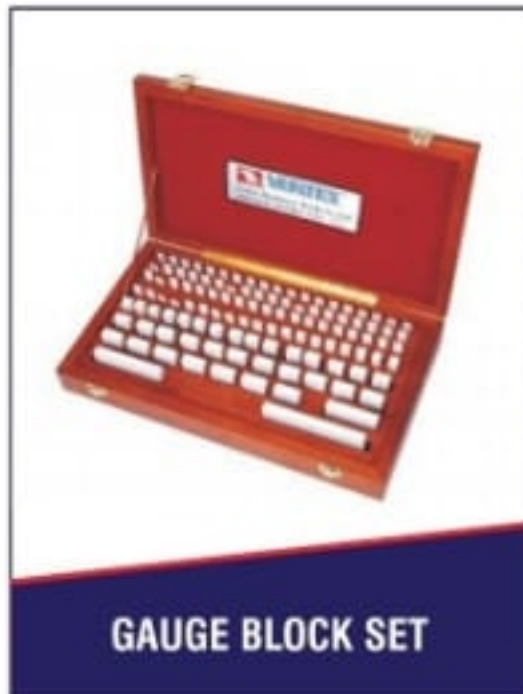
**REVOLVING CENTER
STANDARD**



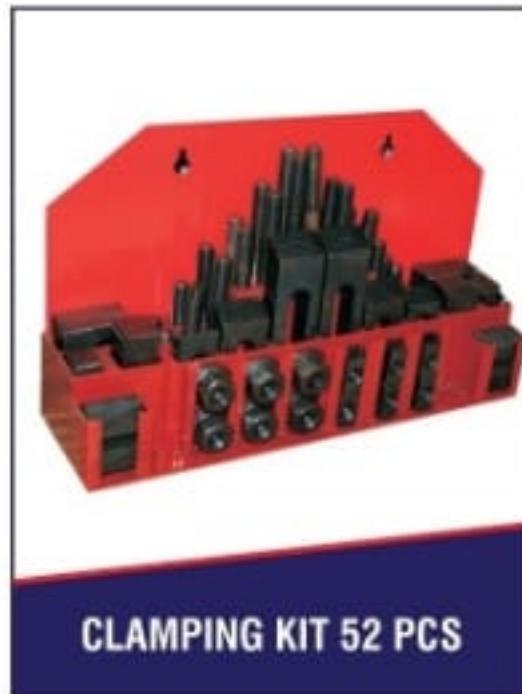
**REVOLVING CENTER
SUPER EXTRA HEAVY DUTY**



UNIVERSAL BORING HEAD



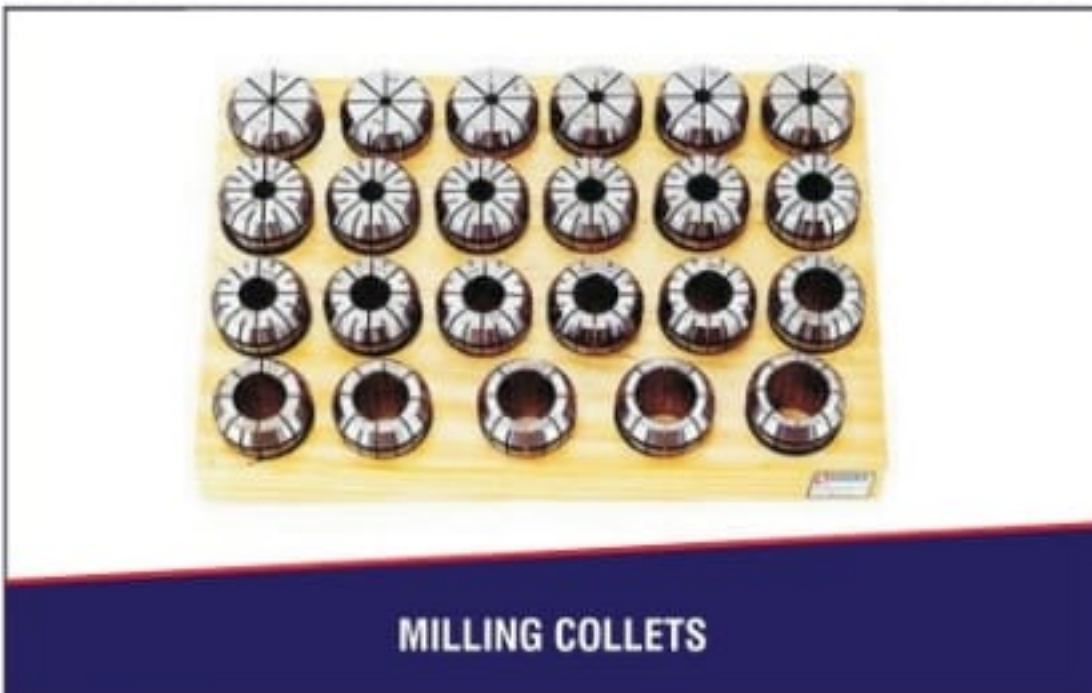
GAUGE BLOCK SET



CLAMPING KIT 52 PCS



**GROUND AND HARDENED
PARALLELS**



MILLING COLLETS



MILLING COLLETS SET



MACHINE TAP



MACHINE NUT TAP



CARBIDE TAP



MACHINE TAP BLACK FOR SS



HSS TAP AND DIE SET



HSS HAND TAP SET



THREAD REPAIR WORKSHOP KIT



THREAD REPAIR KIT



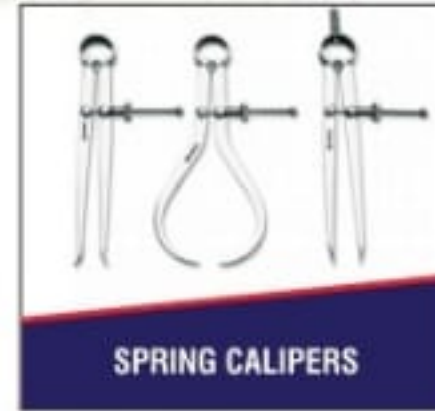
SOLAR PIPE CENTRE



TAP WRENCH



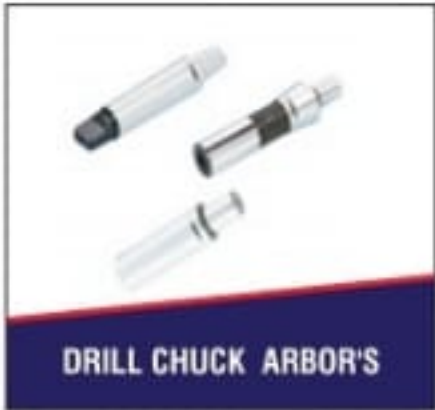
DIE STOCK HANDLE



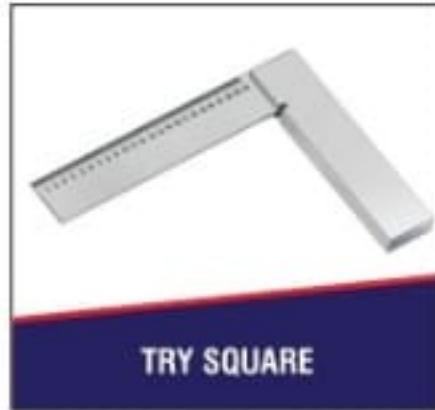
SPRING CALIPERS



DOUBLE END BORING BAR



DRILL CHUCK ARBOR'S



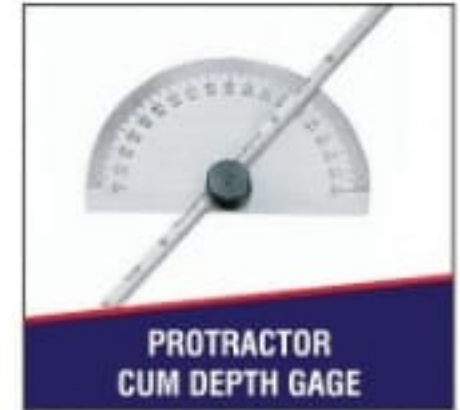
TRY SQUARE



TOOL BIT HOLDER



PARTING BLADE HOLDER



PROTRACTOR
CUM DEPTH GAGE



4 JAW LATHE CHUCK



WING DIVIDER



KNURLING WHEELS



KNURLING TOOL HOLDER



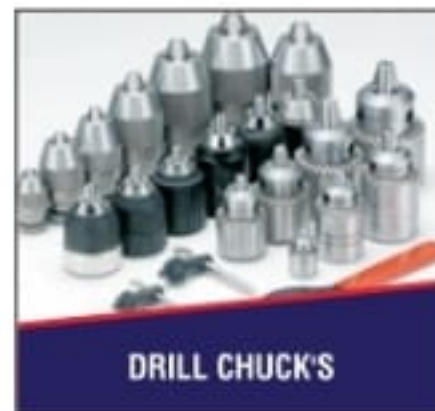
WHEEL DRESSER



DRILL SLEEVE'S AND DRIFT



SOLAR REVOLVING CENTRES



DRILL CHUCK'S



SOLAR TOOL BIT HOLDER ST



SOLAR VEE BLOCKS



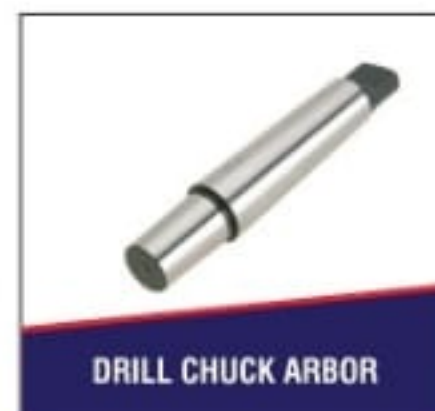
DRILL CHUCK WITH KEY



KEYLESS DRILL CHUCK



LATHE CHUCKS



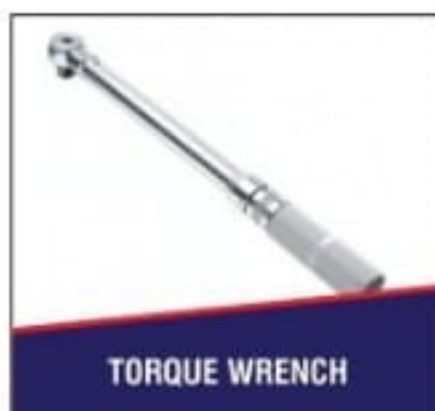
DRILL CHUCK ARBOR



DRILL SLEEVE



EXTENSION SLEEVE



TORQUE WRENCH



TORQUE WRENCH



H.S.S AND CARBIDE ENDMILLS, SLOT DRILLS, BALL NOSE



CARBIDE BURR'S



HAND REAMER



COUNTER SHANK CUTTER



ALUMINUM BURR'S



MACHINE TAP



SOLID CARBIDE END MILLS & SLOT DRILLS



CARBIDE COUNTERSINK CUTTER



SOLID CARBIDE SLOT DRILL



SOLID CARBIDE DRILL BITS



SOLID CARBIDE END MILLS COATED LONG



COUNTER SHANK CUTTER



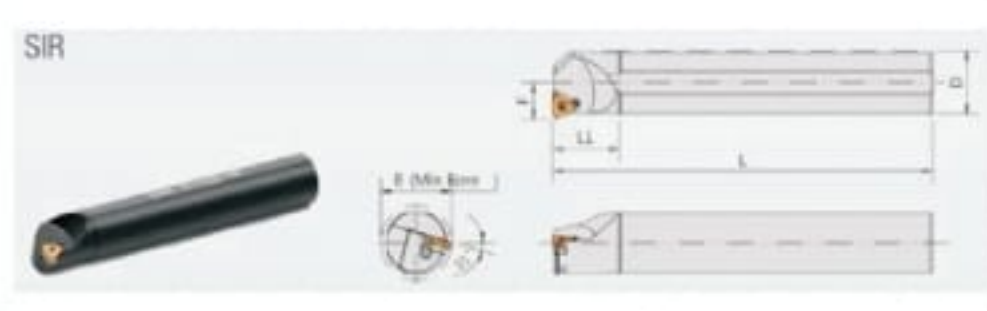
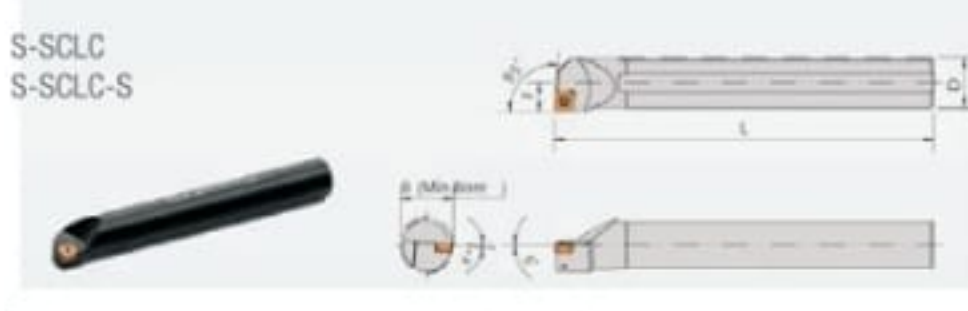
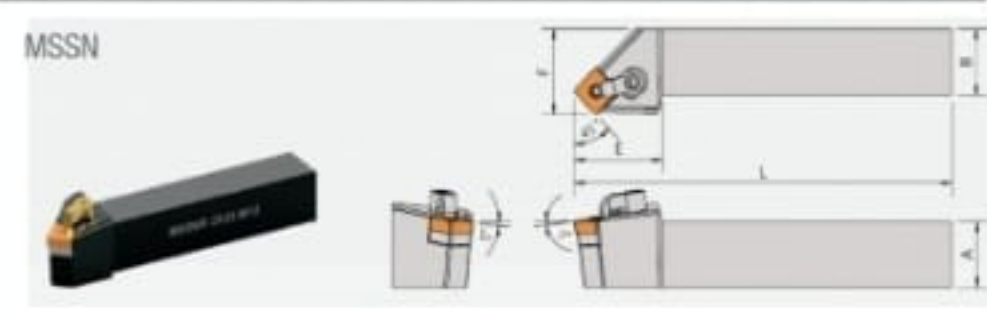
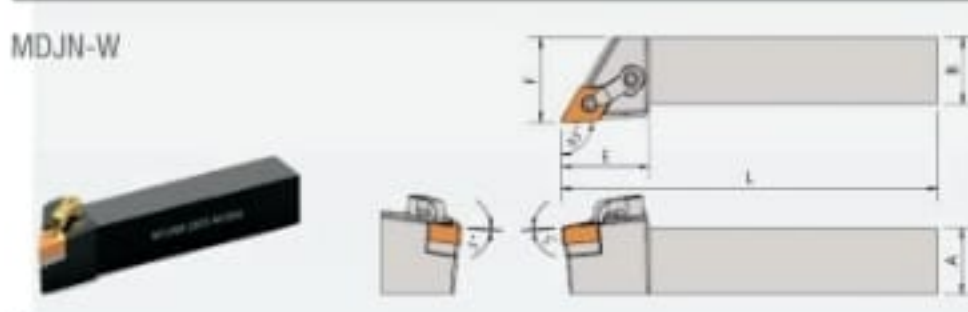
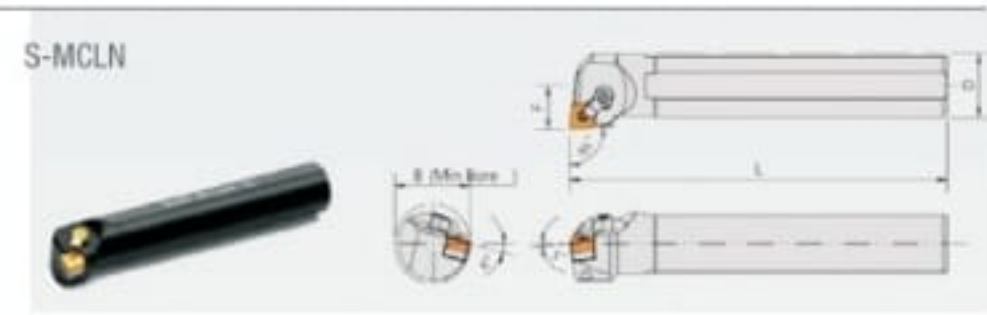
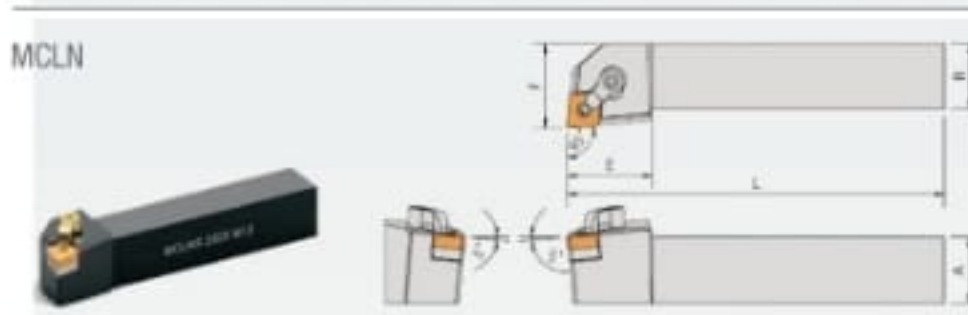
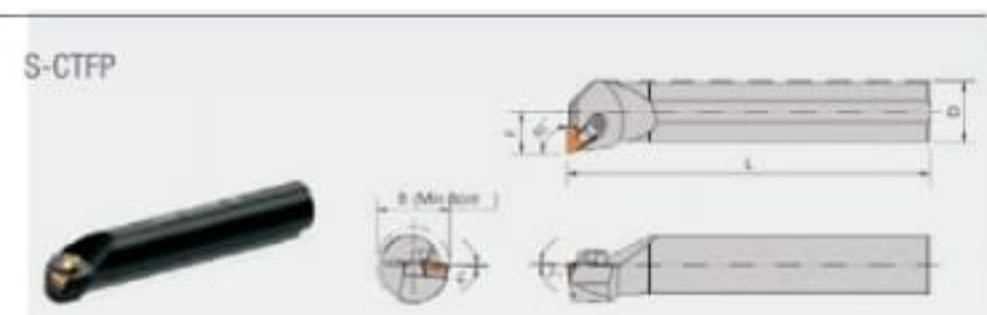
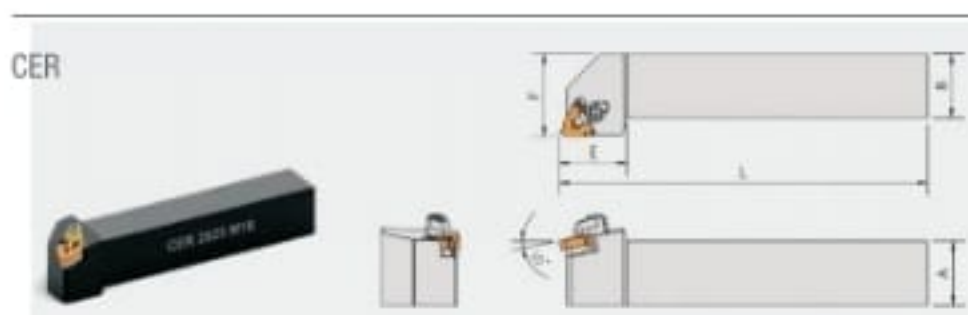
SOLID CARBIDE END MILLS COATED

TOOL	ISO 243 ISO 514	DIN	TOOL	ISO 243 ISO 514	DIN
	ISO1	4971		ISO7	4981
	ISO2	4972		ISO8	4973
	ISO3	4978		ISO9	4974
	ISO4	4976		ISO10	4975
	ISO5	4977		ISO11	(263)
	ISO6	4980		ISO12	(282)
				ISO13	(283)

COUNTER SHANK CUTTER



CARBIDE BRAZED TOOLS



CARBIDE TIPS FOR BRAZED TOOLS



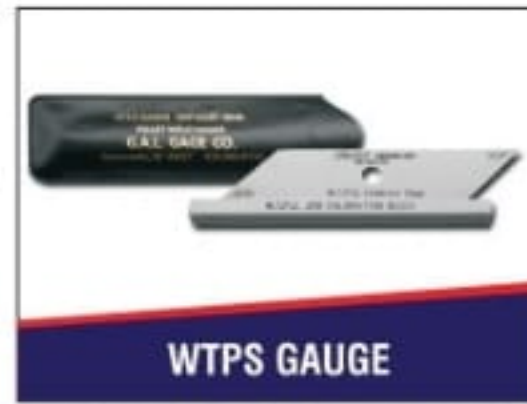
CNC TOOL HOLDER'S



FILLET WELD GAUGE



V-VAC GAUGE



WTPS GAUGE



BRIDGE CAM GAUGE



ADJUSTABLE FILLET GAUGE



AUTOMATIC WELD SIZE WELD GAUGE



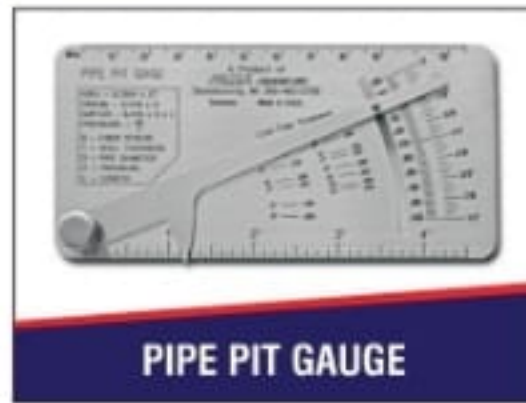
MULTI PURPOSE HI LO GAUGE



SKEW-T FILLET WELD GAUGE



SINGLE PURPOSE HILO GAUGE



PIPE PIT GAUGE



UNIVERSAL WELDING GAGE



BRASS WIRE BRUSH



STEEL WIRE BRUSHES



**SHAFT MOUNTED CIRCULAR WIRE BRUSH
STEEL/ STAINLESS STEEL / BRASS**



**TUBE BRUSH STEEL/ STAINLESS STEEL/
BRASS NYLON**



CIRCULAR WIRE BRUSH TWISTED



TWISTED CUP BRUSH



**STEEL AND STAINLESS STEEL
CIRCULAR WIRE BRUSH**



**HAND WIRE BRUSH
WOOD HANDLE**



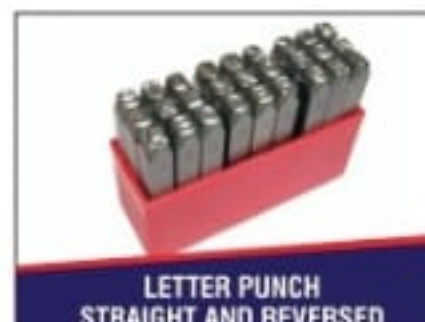
**PVC HAND BRUSH NYLON/
STAINLESS STEEL/ BRASS**



**NUMBER PUNCH
STRAIGHT AND REVERSED**



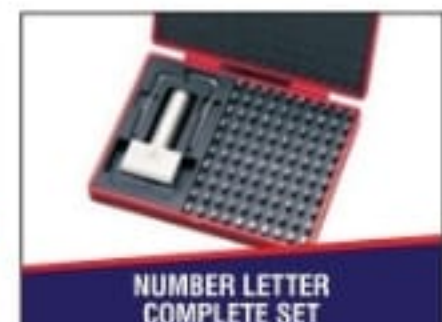
**DOTTED NUMBER
AND LETTER PUNCH**



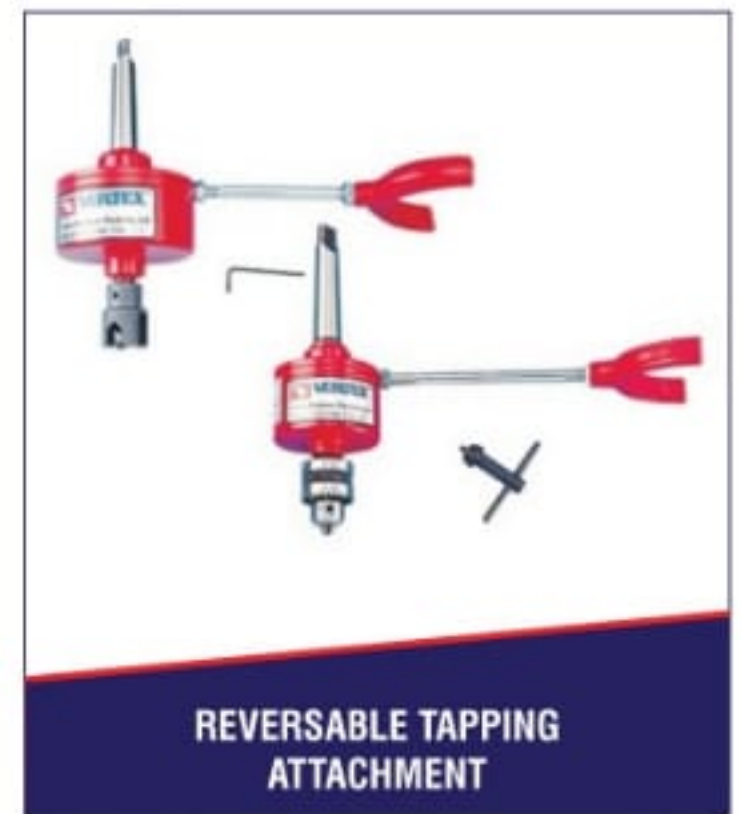
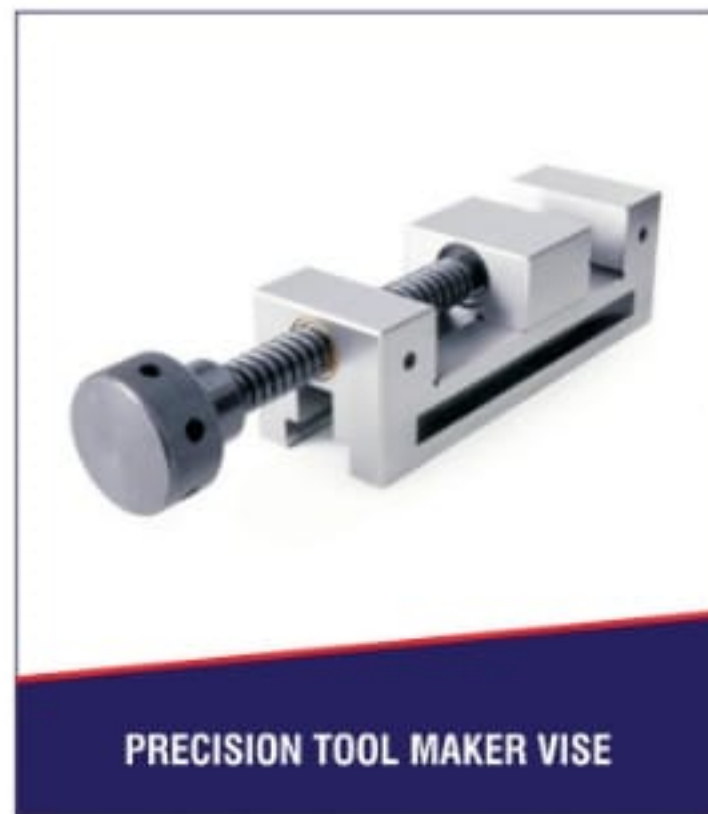
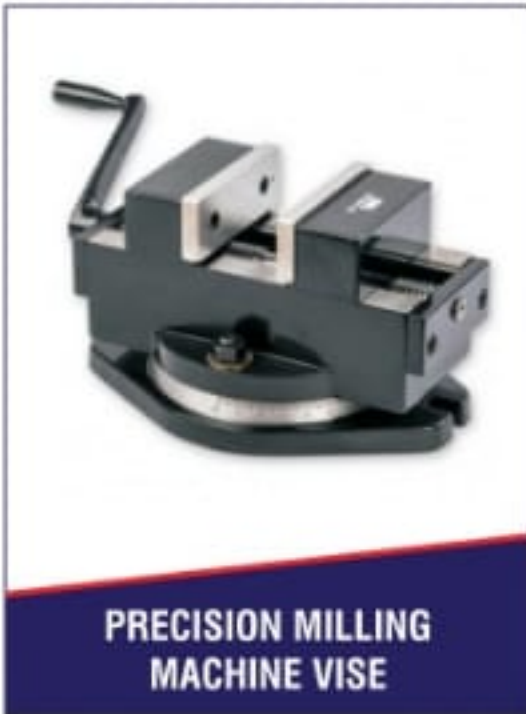
**LETTER PUNCH
STRAIGHT AND REVERSED**



SCREW EXTRACTOR SET



**NUMBER LETTER
COMPLETE SET**





PARTING INSPRT



THREADING INSET





SPIRAL BAND



SHAFT MOUNTED FLAP WHEEL



DIAMOND WHEEL



FLAP WHEEL

K-PRIX[®]
QUALITY ABRASIVE PRODUCTS



SUPERCUT ROTABORS



SUPERCUT HOLE CUTTERS AND ACCESSORIES



EDGE HOGE
CARBIDE AND HSS TOOLS
SHEET METAL PUNCH

HG TYPE FEATURES

- Material: Tungsten Carbide Micro grade
- Drilling depth: 5mm thick
- Effective length: 28mm deep.

APPLICABLE MACHINE

- Portable drilling machine
- Pillar drilling machine

Hi CUT

Precision Tools

Carbide Tipped Holesaw

**HIGH
PERFOR-
MANCE**



BRASS SHIM STOCK



COPPER SHIM STOCK

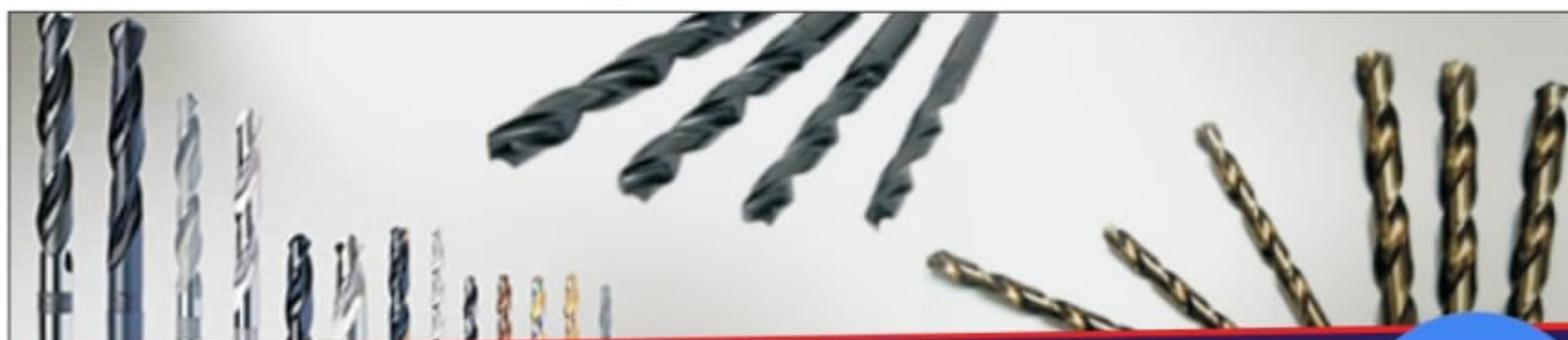


**STAINLESS STEEL
SHIM STOCK**



THE SHIM SOURCE

EDGE HOGE
CARBIDE AND HSS TOOLS



H.S.S AND COBALT DRILL BIT'S

