



BIN MOHSEN TRADING CORPORATE BROCHURE.

www.bmtuae.com

SINCE 1994 IN UAE

ABOUT BIN MOHSEN TRADING.

SINCE 1994

BIN MOHSEN MECHANICAL EQUIPMENT TRADING COMPANY Was Established In Abu Dhabi In 1994 To Meet The Requirements Of Oil Field, Construction And Maintenance Industries For Specialized Equipment And Accessories.

GLOBAL BRANDS, LOCAL INDUSTRIES

Focused On Quality And Long-Term Vision, We Established Partnerships With The World's Most Trusted Manufacturers In Each Product Category And Introduced Their Brands To The Uae Market. Soon BMT Was Known As A One-Stop-Shop For Various Tools, Components And Systems Vital For The Local Industries. More And More International Manufacturers Sought To Partner With Us To Successfully Build Their Brands In The Region.

STEADFAST ON VALUES

Apart From World Class Quality And Consistent Supply, What Strengthened Our Presence In The Market Was The Set Of Values We Brought Into The Trade. Reliability, Trust, Understanding And Competitive Pricing All Contributed To The Evolution Of BMT As A Frontline Brand.

EXTENSIVE SERVICES

Today, BMT Is More Than Just A Supplier Or Brand Builder. We Are Project Facilitators Who Work In Tandem With Our Customers As Well As Principals To Identify Needs And Find Innovative Solutions. Our Services Cover Every Significant Area Of Operation Our Clients Have To Engage. Overseas Procurement, Negotiations, Import, Tax And Duty, Insurance, Logistics... We Are Capable Of Handling It All On Our Client's Behalf.



ABOUT BIN MOHSEN TRADING.

EXCEPTIONAL TEAM

The Drive And Energy Behind Our Success Is Our Service Team. Qualified, Committed And Keen On Updating Product Knowledge, The BMT Team Is Quick And Sharp On Either End: Understanding Client Needs And Enabling Principals To Find Solutions.

PROMISE DELIVERED

Be You Looking For Specialized Industrial Products Or A Vibrant Market For Your Brand, BMT Offers You The Right People And Platform; Not Just To Achieve Defined Objectives But To Push The Boundaries. BMT – BE SURE

OUR MISSION

We Aim To Continue Contributing To The Region's Development By Serving And Supporting Diverse Industries Such As Oil And Gas, Engineering, Ecp, Construction, Power, Plant, And Maintenance.

We Foster Excellent Relations With World Leading Brands And Introduce Them To Our Customers

We seek innovative products and flexible solutions that benefit individual customer preferences and the industry at large.



OUR PRODUCTS



SAFETY LIFTING GEAR

- ▶ Webbing Sling Sf 7:1
- ▶ Shackles
- ▶ Chain Blocks
- ▶ Lever Blocks
- ▶ Clevis Grab Hook
- ▶ Eye Grab Hook
- ▶ Clevis Sling Hook
- ▶ Clevis Self Locking
- ▶ Connecting Link
- ▶ Clevis Grab Hook
- ▶ Ratchet Load Binder
- ▶ L Type Beam
- ▶ Geared Trolley
- ▶ Ratchet Lashings
- ▶ J Hooks
- ▶ Chain Slings
- ▶ Wire Rope Sling



JOTUN PAINTS

- ▶ Penguard
- ▶ Solvalitt
- ▶ Road Marking paints
- ▶ Barrier
- ▶ Jotamastic
- ▶ Duroson
- ▶ Fenomastic
- ▶ Jotashield
- ▶ Texture Paints
- ▶ Hardtop XP
- ▶ Pilot II
- ▶ Jotafloor
- ▶ Durathane
- ▶ Pioneer
- ▶ Futura
- ▶ Tankguard
- ▶ Jotacrylic
- ▶ Futura Classic
- ▶ Thinners Etc...



ADHESIVES & GASKETS

- ▶ Adhesives
- ▶ Gasket Makers
- ▶ Permatex 3d Aviation
- ▶ Permatex Red
- ▶ Black
- ▶ Blue & Clear Rtv's
- ▶ Permatex Prussian
- ▶ Permatex Foam
- ▶ Bison Kit
- ▶ Copaslip
- ▶ Friction Tape
- ▶ Plymouth
- ▶ Hylomar Universal
- ▶ Loctite

OUR PRODUCTS



FASTENERS PRODUCTS

- ▶ MS Bolts
- ▶ MS Nuts
- ▶ MS Washers
- ▶ SS Bolts
- ▶ SS Nuts
- ▶ SS Washers
- ▶ GI Bolts
- ▶ GI Nuts
- ▶ GI Washers
- ▶ GI Thread Bars
- ▶ Screws (Self tapping, Machine Screws)



GENERAL HARDWARE

- ▶ Concrete Nails
- ▶ Locks
- ▶ Brooms
- ▶ Batteries
- ▶ Emery Papers
- ▶ Emery Rolls
- ▶ Cotton Rags
- ▶ Scrapper
- ▶ SuperGlue
- ▶ Adhesives
- ▶ Hacksaw Blades
- ▶ Power saw Blades
- ▶ Paint Brushes
- ▶ Angle Brushes
- ▶ Paint Rollers
- ▶ Rivet
- ▶ Gypsum Screw
- ▶ Wooden Screw
- ▶ Machine Screw
- ▶ PVC Tarpaulin
- ▶ Canvas Tarpaulin
- ▶ Polythene Sheet
- ▶ PP Ropes Nylon Ropes



HAND TOOLS | POWER TOOLS

- ▶ Magnetic Drills
- ▶ Slugger cutters
- ▶ HSS & Cobalt Drill bits
- ▶ Screwdrivers
- ▶ Nut Drivers
- ▶ Cutting Pliers
- ▶ Hammers
- ▶ Pipe Wrenches
- ▶ Adjustable Wrenches
- ▶ Engineering Files
- ▶ Clamps & Vices
- ▶ Hacksaw Blades
- ▶ Angle Grinder
- ▶ Bench Grinder
- ▶ Straight
- ▶ Die Grinders
- ▶ Sanding Machine
- ▶ Drilling Machines
- ▶ Jig saw
- ▶ Circular Saw
- ▶ Power Saw Machines

OUR PRODUCTS



WELDING ACCESSORIES

- ▶ Electrodes
- ▶ Welding Holders
- ▶ Gouging Torch & Rod
- ▶ Tig Welding Torches
- ▶ Tig Welding Accesories
- ▶ Cutting & Grinding Disc
- ▶ Sanding Disc
- ▶ Cup Wire Brush (SS, MS, Brass, Nylon)



SAFETY PRODUCTS

- ▶ Coveralls
- ▶ Shoes & Boots
- ▶ Gloves (Cotton, Rubber Welding, Latex)
- ▶ Helmets, Goggles
- ▶ Ear Defenders
- ▶ Ear Plugs
- ▶ Dust Masks
- ▶ Escape Masks



MARINE & OILFIELD PRODUCTS

- ▶ Gate
- ▶ Butterfly Valves
- ▶ Fender Brush
- ▶ Dope Brush
- ▶ Liquid Filled Gauges
- ▶ Friction Tape
- ▶ Rotary Flue Brushes
- ▶ Oil Field Lubricants
- ▶ Anchors
- ▶ Anchor Rollers
- ▶ Buoys
- ▶ Marine Ropes



MACHINERY

- ▶ Drill Press
- ▶ Generators
- ▶ Air Compressor
- ▶ Welding Machine

OUR BRANDS



SAFETY LIFTING



INDUSTRIAL PAINTS



RTV GASKET SEALANTS



SEALANT GASKETS



POWER TOOLS



DRILL BITS



HAND TOOLS



POWER TOOLS



PIPING TOOLS



HAND TOOLS



WELDING PRODUCTS



WELDING PRODUCTS



SAFETY PRODUCTS



WIRE BRUSHES



POWER TOOLS



ADHESIVES



INDUSTRIAL GREASES



PAINTS



ADHESIVES & SEALANTS



LUBRICANTS



LUBRICANTS



LUBRICANTS



CONTACT US



+971 2 555 9720
+971 2 555 9730



info@bmtuae.com
sales@bmtuae.com
www.bmtuae.com



PO BOX : 9158
M17, MUSSAFAH IND.
ABU DHABI, UAE

**BIN MOHSEN
MECHANICAL EQUIPMENT
TRADING COMPANY LLC**

Your Single Source For
Lifting Gear & Rigging

EQUIPMENTS



Our Products

Lubricants

Jotun Paints

Safety Products

Welding Hardware

General Hardware

Lifting Equipments

Hand & Power Tools

Adhesives & Gaskets

Welding Accessories

Marine & Oilfield Products



Adjustable Beam Trolley

- ▶ Available From 0.5-5 Tonne
- ▶ Fits Beam Flanges Width 50-229mm
- ▶ Extra Wide Version Available



Adjustable Trolley Clamp

- ▶ Available From 0.5-5 Tonne
- ▶ Fits Beam Flanges Width 50-229mm
- ▶ Extra Wide Version Available



Vertical Plate Clamp

- ▶ Available From 0.5-5 Tonne
- ▶ Hardened Steel Jaws
- ▶ Locking Mechanism



Adjustable Beam Clamp

- ▶ Available From 1-10 Tonne
- ▶ Adjustable from (70mm - 245mm)
- ▶ Design minimises Flange Stress



Horizontal Plate Clamp

- ▶ Available From 1.5-5 Tonne Per Pair
- ▶ Maximum Sling Angle
- ▶ 0-45 From the Vertical



Camlok CZ 'HEAVY DUTY' Plate Clamp

- ▶ Available From 1-12 Tonne
- ▶ Ideal For Transporting
- ▶ Sheet Metal & Steel Plates Vertically



Container lifting Legs

- ▶ 2x Left & Right Hand Lifting Lugs
- ▶ WLL Per Set of 4=50 tonne
- ▶ Lifting hole diameter 70mm



CAMLOK CLB Lugs for Side Lifting

- ▶ Supplied in sets of 4
- ▶ Lifting Capacity of up to 50 Tonne
- ▶ This Model has a Spring Loded
- ▶ Bolt to Prevent Accidental Release



Dynamo Eyebolt

- ▶ Available sizes M10, M12 & M20
- ▶ Fully certified for lifting



Drop Forged Collared Eyebolt

- ▶ Available sizes M06-M36
- ▶ Also Available in Long Shank



Eyenuts

- ▶ Available sizes M10, M12, M20
- ▶ Fully certified for lifting



Ratchet Loadbinder

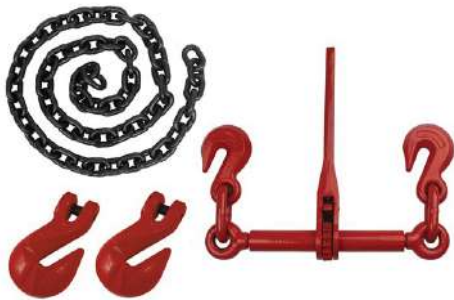
Wire Rope Hoist

- ▶ Fitted with Grab Hook for Easy Connection
- ▶ Loadbinder Range with 8-16mm chain



Pipe Hooks (Pair)

- ▶ Supplied in Pairs
- ▶ Available in 3, 6 & 8 tonnes
- ▶ Polyurethane surface Protection



Loadbinder Kit With Latch Hooks

- ▶ Available in 8000-20,865 kg M.B.S
- ▶ Lengths Ranging from 3-10mtrs
- ▶ Grade 80 Chain & Components



Grade 80 Chain

- ▶ Grade 80 Lifting Chain
- ▶ Chain Diameters from 7-20mm
- ▶ M.B.S is 4 times the W.L.L
- ▶ Conform to BS En 818-2



Grade 100 Chain

- ▶ Grade 100 Lifting Chain
- ▶ Chain Diameters from 6-13mm
- ▶ M.B.S is 4 times the W.L.L
- ▶ Conform to BS En 818-2



400kg S Hook Ratchet Lashing

- ▶ "S" Hooks at both ends
- ▶ 25mm wide webbing
- ▶ Tough reliable & hard wearing
- ▶ Quality positive ratchet



Premium 5 Tonne Ratchet Lashing

- ▶ 5000kg Minimum Breaking Strain
- ▶ Available from 4-20mtrs
- ▶ Fitted with Claw hooks each end
- ▶ Also Stocked in Delta & Rave Hook



10 Tonne Ratchet Lashing

- ▶ 10,000 kg minimum breaking strain
- ▶ Available from 6-15mtrs
- ▶ Fitted with Claw Hooks each end
- ▶ Hard wearing Webbing 75mm Wide



Swivel Lifting Point

- ▶ Diameters from 8-36mm
- ▶ Thread lengths from 13-35mm
- ▶ Also Available in longer threads



Polyester Webbing Slings

- ▶ Available Length 1-20mtrs
- ▶ Capacities from 1-24 tonne
- ▶ Safety Factor 7:1
- ▶ Complies with EN 1492 CE



Round Webbing Sling Hooks

- ▶ Available 1,2,3 & 5 tonne
- ▶ Hooks Colour coded to match Slings
- ▶ Can be used as a link to join two slings together



Large Dee Shackle

- ▶ Available From 0.5-7 tonne
- ▶ Meets the performance
- ▶ Requirements of BS3032
- ▶ Supplied fully certified



Geared Beam Trolley

- ▶ Available from 0.5-5 Tonne
- ▶ Supplied with 3mtrs of Hand Chain (Longer Lengths Available)



Quick Link Zinc Plated

- ▶ Available from 5-12mm
- ▶ Threded Gate Lock
- ▶ Not rated for lifting
- ▶ Zinc Plated



Drop Forged Straining Screw Eye

- ▶ Available from 6-12mm
- ▶ Eye & Eye End fitting
- ▶ Standard: DIN 1480
- ▶ Not rated for lifting



Drop Forged Straining Screw Hook

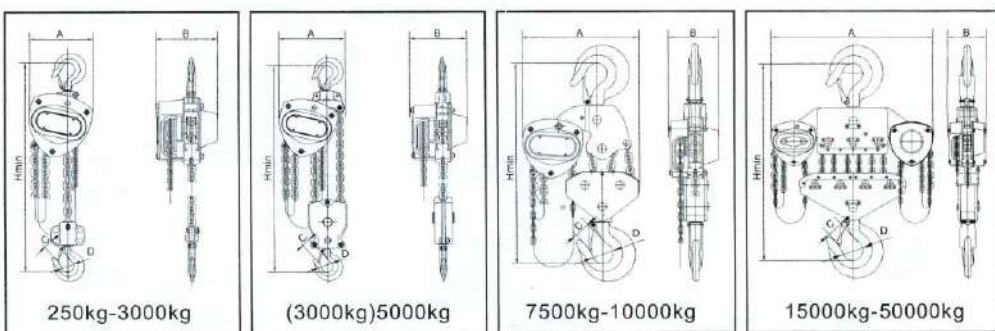
- ▶ Available From 6-12mm
- ▶ Hook And Hook end fitting
- ▶ Standard: 1480
- ▶ Not rated for lifting



Wire Rope Sling

- ▶ Available from 400-5700kg
- ▶ Lengths from 1-10 meters
- ▶ Stamped with SWL & Serial Number

Chain Block HS-S



- ✓ New improved lightweight design
- ✓ Double Pawl Brake System
- ✓ High Quality G8 Load Chain
- ✓ Heavy Duty Safety Catches
- ✓ Load Chain Also Available With Zinc Plating
- ✓ High Quality Bearings For Long Life And Easy Operation
- ✓ Guided Hand Chain Cover Reduces Hand Chain Snagging During Use

500kg / 1 Tonne Available
In Matt Black For Event Rigging



PWHY 25/30/35-II Hand Pallet Truck

- ✓ Fully Automatic robot welding chassis, make sure the precision, consistency, lead to reliance quality and longer life time
- ✓ High Quality and easy maintenance pimp equipped more than 50 million pieces produced each year , high reliable quality and extremely low failure rate
- ✓ Small pump it can be fixed via only changing it rather then replace the whole pump assembly, Save cost and easy maintenance
- ✓ High quality spring used to make sure long time.



Commercial D Shackle

- ✓ Available From 5-25mm
- ✓ Commercial D Shackle (Unstead)
- ✓ Zinc Plated
- ✓ Not Rated Lifting



Stainless Steel D Shackle

- ✓ Available From 5-25mm
- ✓ Commercial D Shackle (Unsteady)
- ✓ Zinc Plated
- ✓ Not Rated Lifting



Grade 80 Chain Slings



Swivel Hook



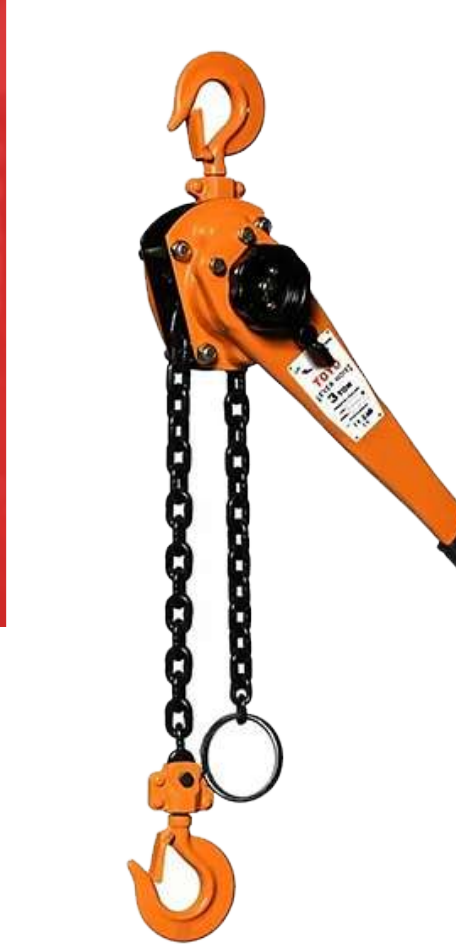
Latch Hook



Safety Hook



- ✓ Our Grade 80 Chain slings are available in 1,2,3 & 4 leg
- ✓ The Safe working loads range from 1.5-31.5 tonne
- ✓ Supplied working loads range from 1.5-31.5 tonne
- ✓ Supplied with latch or safety & swivel hooks also available
- ✓ Grade 80 Chain slings can be assembled to your own requirements



BIN MOHSEN TRADING LLC

Your Trusted Partner for Specialized Industrial Equipment and Tools

Address

Bin Mohsen Mechanical Equipment Trading Company LLC
M17, Musaffah - Musaffah Industrial Area,
Abu Dhabi - UAE Po Box : 9158

Contact

(+971) 2 555 9720
(+971) 2 555 9730
(+971) 50 612 9384

Web

bmtuae.com
info@bmtuae.com
sales@bmtuae.com