

Fans and Blowers

Product Selection Guide



BPA Fans and Blowers

BPA is a producer and supplier of Fans & Blowers for the Middle East region providing ventilation solutions to the industries. BPA offers an extensive range of centrifugal fans, axial fans, and other ventilation fans used for special purposes, we are committed to serve our customers with comprehensive air moving and ventilation solutions.

In principle BPA produces all equipment and systems in-house. Our expertise is based on the professional know-how of dedicated people. Keeping engineering and production under one roof is essential for our sort of products. This offers the best guarantee that everything will be consistent and operation will go smoothly.

In-house production by our own people also guarantees reliability and flexibility for our clients when our fast service is needed.

R&D Capacity

BPA has established an expert R&D team, we are able to design fans and blowers with CAD/CAM technique, conduct extensive analysis for core parts and have dynamic balance test equipment for the moving parts. We develop new technologies, add new materials and techniques to the industrial fan production process. In-house engineering is the base to the entire products range.

Production & Control

Our manufacturing facility is well equipped with comprehensive machinery such as, laser cutting, robot welding, quality testing and inspection equipment. We are certified by ISO9001-2008, ISO14001-2004, OHSAS 18001, and CE.

BPA Fans & Blowers are used in the following industries:

- | | | |
|-----------------|---------------------|----------|
| ■ Metal | ■ Surface Treatment | ■ Cement |
| ■ Mining | ■ Energy | ■ Marine |
| ■ Petrochemical | ■ Casting | ■ Food |



Table of Contents

	No.		Page
Section 1		Industrial Factory Fan	
	1.0	IFF Series	4 - 5
	1.1	IFF - A type Parts	6
	1.2	IFF - C type Parts	7
Section 2		High Pressure Blower	
	2.0	HPB Series	8 – 9
	2.1	HPB Series Parts	10
Section 3		Industrial Heavy Duty	
	3.0	IHD Series	11 – 12
Section 4		Industrial Marine and Construction	
	4.0	IMC Series	13 – 14
Section 5		Mining and Gas Exhaust Fan	
	5.0	MGE Series	15 – 17
Section 6		Axial Air Mover	
	6.0	AAM Series	18 - 19
Section 7		Multi Vane Dampers	
	7.0	Air shuttle 280 - 1200	20 - 21
Section 8		Soft Connectors for Centrifugal Fans	
	8.0	Inlet soft connect 400-1400	22 - 23
Section 9		Motors	
	9.0	CG Motors 1.1 to 75 KW	24 - 26
	9.1	PYTHON Motors 1.1 to 75 KW	27 – 28
	9.2	ELVEM Motors 1.1 to 75 KW	29 - 30
Section 10		General information	
	10.0	Technicalities About BPA Fans	31
	10.1	Fan Selection Questionnaire	32
	10.2	Fan Part Number Explanation	33 – 34
		Notes	35

No.	Industrial Factory Fan	Page
1.0	IFF Series	4 – 5
1.1	IFF - A type Parts	6
1.2	IFF - C type Parts	7

Industrial Factory Fan



IFF - Industrial Factory Fan

IFF series centrifugal fan is primarily designed for indoor ventilation purposes in factories and other large buildings. It works by delivering air or non-flammable and harmless gases that will not corrode steel into the interior space, and exhausting those flammable and volatile gases out of the room.

Manufactured according to the industrial standards, dirt and other large particle in the air-mix are no more than 150mg/m³ and gas temperature is lower than 80 degrees Celsius.

But the IFF has many other applications, in fact it is our most versatile fan and can be adopted to any working conditions.

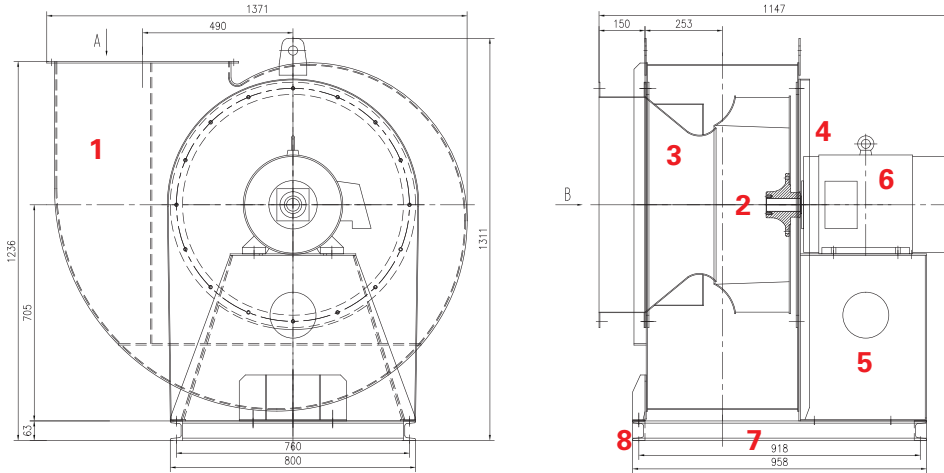
Different models of IFF fans are available:

- IFF-VA series centrifugal fan with vibration absorber
- IFF-DS series double suction centrifugal fan
- IFF-HT series centrifugal fan for high-temperature condition
- IFF-CR series corrosion-resistant fan

The range below is only a fraction of the fans we have on stock and what we can supply. We can supply C-Type belt driven fans from 200mm impeller size up to 2500mm. A-type driven fans are made from a 200mm impeller size up to 1000mm, and we even have B, D, E and F-drive type fans.

Part No. BPA	Description	RPM	Flow (M3/h)	Total Pressure (Pa)	Motor Power (kW)
11102811	IFF Series fan 280mm A-Drive	2900	1131-2356	606-994	1.5
11103211	IFF Series fan 320mm A-Drive	2900	1688-3517	792-1300	2.2
12103211	IFF Series fan 320mm A-Drive	1450	844-1758	198-324	1.1
11103611	IFF Series fan 360mm A-Drive	2900	2664-5286	989-1578	3.0
12103611	IFF Series fan 360mm A-Drive	1450	1332-2634	247-393	1.1
11104011	IFF Series fan 400mm A-Drive	2900	4012-7419	1320-2014	5.5
12104011	IFF Series fan 400mm A-Drive	1450	2006-3709	329-501	1.1
11104511	IFF Series fan 450mm A-Drive	2900	5712-10562	1673-2554	7.5
12104511	IFF Series fan 450mm A-Drive	1450	2856-5281	416-634	1.1
11105011	IFF Series fan 500mm A-Drive	2900	7728-15455	2019-3187	15.0
12105011	IFF Series fan 500mm A-Drive	1450	3864-7728	502-790	2.2
12106011	IFF Series fan 600mm A-Drive	1450	6677-13353	724-1139	4.0
13106011	IFF Series fan 600mm A-Drive	960	4420-8841	317-498	1.5
15108011	IFF Series fan 800mm C-Drive	1800	19646-36427	2302-3143	30-37
15108011	IFF Series fan 800mm C-Drive	1600	17463-32380	1816-2478	22-30
15108011	IFF Series fan 800mm C-Drive	1250	13643-25297	1106-1507	11.0
15108011	IFF Series fan 800mm C-Drive	800	8732-16190	425-615	3.0
15108011	IFF Series fan 800mm C-Drive	710	7749-14368	356-485	2.2-3.0
15108011	IFF Series fan 800mm C-Drive	630	6876-12749	280-381	2.2
15110011	IFF Series fan 1000mm C-Drive	1250	34863-48797	1877-2372	37.0
15110011	IFF Series fan 1000mm C-Drive	1120	31237-43722	1505-1902	30.0
15110011	IFF Series fan 1000mm C-Drive	1000	27890-39038	1199-1514	18.5
15110011	IFF Series fan 1000mm C-Drive	900	25101-35134	970-1225	15.0
15110011	IFF Series fan 1000mm C-Drive	560	15618-21861	375-473	4.0
15110011	IFF Series fan 1000mm C-Drive	500	13945-19519	299-377	3.0

IFF - Series A Type Parts



1 Housing - Shell

2 Blower Wheel - Impeller

3 Inlet

4 Back cover

5 Bracket

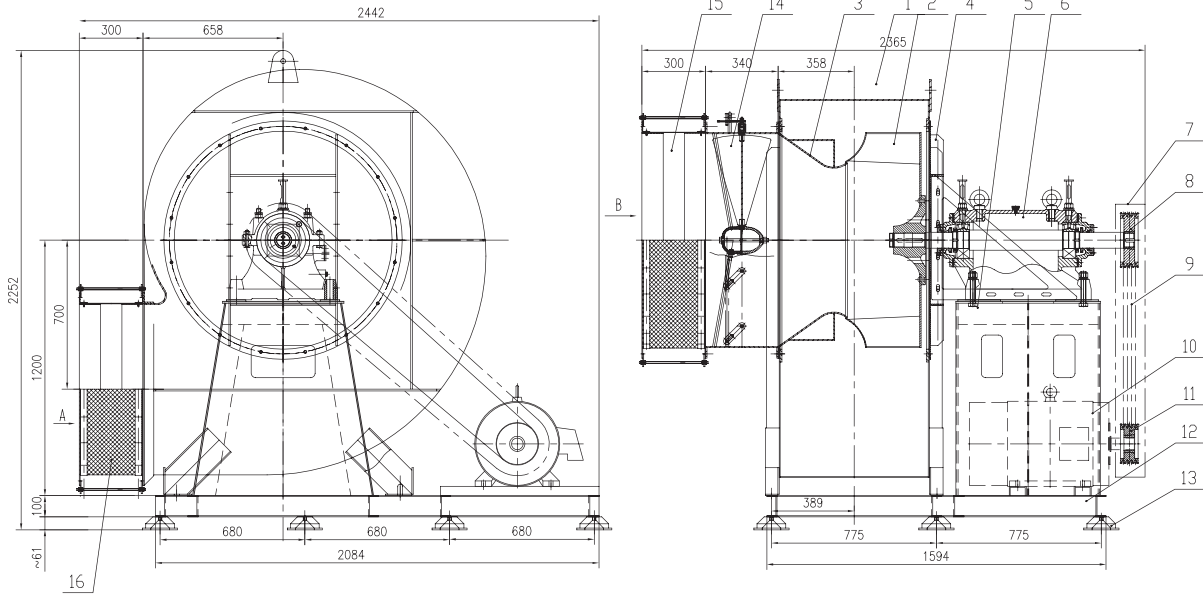
6 Motor

7 Fan Base - Pedestal

8 Shock pad

Part No. BPA	Description	R/min
1110280(1 to 8)	IFF Series fan 280mm (PART)	2900
1110320(1 to 8)	IFF Series fan 320mm (PART)	2900
1120320(1 to 8)	IFF Series fan 320mm (PART)	1450
1110360(1 to 8)	IFF Series fan 360mm (PART)	2900
1120360(1 to 8)	IFF Series fan 360mm (PART)	1450
1110400(1 to 8)	IFF Series fan 400mm (PART)	2900
1120400(1 to 8)	IFF Series fan 400mm (PART)	1450
1110450(1 to 8)	IFF Series fan 450mm (PART)	2900
1120450(1 to 8)	IFF Series fan 450mm (PART)	1450
1110500(1 to 8)	IFF Series fan 500mm (PART)	2900
1120500(1 to 8)	IFF Series fan 500mm (PART)	1450
1120550(1 to 8)	IFF Series fan 550mm (PART)	1450
1130550(1 to 8)	IFF Series fan 550mm (PART)	960
1120600(1 to 8)	IFF Series fan 600mm (PART)	1450
1130600(1 to 8)	IFF Series fan 600mm (PART)	960
1120700(1 to 8)	IFF Series fan 700mm (PART)	1450
1130700(1 to 8)	IFF Series fan 700mm (PART)	960
1120750(1 to 8)	IFF Series fan 750mm (PART)	1450
1130750(1 to 8)	IFF Series fan 750mm (PART)	960
1120800(1 to 8)	IFF Series fan 800mm (PART)	1450
1130800(1 to 8)	IFF Series fan 800mm (PART)	960
1140800(1 to 8)	IFF Series fan 800mm (PART)	730

IFF - Series C Type Parts



- | | |
|---|---|
| <ul style="list-style-type: none"> 1 Housing - shell 2 Blower wheel - Impeller 3 Inlet 4 Back cover 5 Bracket 6 Transmission 7 Shel of belt 8 Main shaft pulley | <ul style="list-style-type: none"> 9 V-Belt 10 Motor 11 Motor pulley 12 Fan Base - pedestal 13 Shock pad 14 Multi vane damper (manual) 15 Inlet soft connect 16 Outlet soft connect |
|---|---|

Part No. BPA	Description	r/min
1210360(1 to 13)	IFF Series fan 360mm (PART)	2900
1220360(1 to 13)	IFF Series fan 360mm (PART)	1450
1210400(1 to 13)	IFF Series fan 400mm (PART)	2900
1220400(1 to 13)	IFF Series fan 400mm (PART)	1450
1210450(1 to 13)	IFF Series fan 450mm (PART)	2900
1220450(1 to 13)	IFF Series fan 450mm (PART)	1450
1210500(1 to 13)	IFF Series fan 500mm (PART)	2900
1220500(1 to 13)	IFF Series fan 500mm (PART)	1450
1220550(1 to 13)	IFF Series fan 550mm (PART)	1450
1230550(1 to 13)	IFF Series fan 550mm (PART)	960
1220600(1 to 13)	IFF Series fan 600mm (PART)	1450
1230600(1 to 13)	IFF Series fan 600mm (PART)	960
1220700(1 to 13)	IFF Series fan 700mm (PART)	1450
1230700(1 to 13)	IFF Series fan 700mm (PART)	960
1220800(1 to 13)	IFF Series fan 800mm (PART)	1450
1230800(1 to 13)	IFF Series fan 800mm (PART)	960

No.	High Pressure Blower	Page
2.0	HPB Series	8 – 9
2.1	HPB Series Parts	10

HPB - High Pressure Blower



HPB Series – High Pressure Blower

HPB series high-pressure centrifugal fan is generally used for forging and smelting furnace, forced air ventilation system, and for transporting materials, air, and other non-corrosive, non-flammable gases of no viscosity. The medium allowed to be carried by this kind of centrifugal fan is generally no more than 50°C (80°C at most), and the solid particle of which is required to be within 150mg/m³.

There is also an HPB-2 Series which has an even higher capacity of air flow (m³/h) and comparable PA to the original HPB Series.

Different models HPB are available:

- HPB series centrifugal fan with vibration absorber
- HPB series centrifugal fan for explosion protection purposes

Part No. BPA	Description	RPM	Flow (M3/h)	Total Pressure (Pa)	Motor Power (KW)
21104011	HPB Series fan 400mm A-Drive	2900	824-1704	3253-3584	2.2-3
21104511	HPB Series fan 450mm A-Drive	2900	1174-2504	4112-4603	4-5.5
21105011	HPB Series fan 500mm A-Drive	2900	1610-3488	5080-5697	7.5-11
21105611	HPB Series fan 560mm A-Drive	2900	2262-4901	6400-7182	11-18.5
21106311	HPB Series fan 630mm A-Drive	2900	3220-6978	8148-9149	18.5-30
21107114	HPB Series fan 710mm D-Drive	2900	4610-9988	10426-11717	37-55
21108014	HPB Series fan 800mm D-Drive	2900	6590-14287	13362-15034	75-110
22108014	HPB Series fan 800mm D-Drive	1450	3297-7144	3231-3620	7.5-15
22109014	HPB Series fan 900mm D-Drive	1450	4695-10171	4101-4597	15-22
22110014	HPB Series fan 1000mm D-Drive	1450	6440-15455	4958-5840	30-37
22111214	HPB Series fan 1120mm D-Drive	1450	9047-21713	6246-7364	45-75
23111214	HPB Series fan 1120mm D-Drive	960	5990-14375	2705-3182	15-22
22112514	HPB Series fan 1250mm D-Drive	1450	12577-30186	7822-9229	75-110
Part No. BPA	Description SERIES II (2)	RPM	Flow (M3/h)	Total Pressure (Pa)	Motor Power (KW)
21104021	HPB Series fan 400mm A-Drive	2900	2198-3215	3407-3852	5.5
21104521	HPB Series fan 450mm A-Drive	2900	3130-4792	4256-4910	7.5-11
21105021	HPB Series fan 500mm A-Drive	2900	4293-6762	5180-6035	15-18.5
21105621	HPB Series fan 560mm A-Drive	2900	6032-9500	6527-7610	22-30
21106321	HPB Series fan 630mm A-Drive	2900	8588-13525	8310-9698	45-55
21107124	HPB Series fan 710mm D-Drive	2900	12292-19360	10635-12427	75-110
21108024	HPB Series fan 800mm D-Drive	2900	17584-24696	13634-15955	132-200
22108024	HPB Series fan 800mm D-Drive	1450	8792-13848	3294-3834	18.5-30
22109024	HPB Series fan 900mm D-Drive	1450	12518-19717	4181-4869	30-45
22110024	HPB Series fan 1000mm D-Drive	1450	17172-30052	5065-6143	55-75
22111224	HPB Series fan 1120mm D-Drive	1450	24126-42221	6382-7747	110-132
23111224	HPB Series fan 1120mm D-Drive	960	15973-27953	2763-3346	30-37
21112524	HPB Series fan 1250mm D-Drive	1450	33540-58600	7993-9713	160-250

HPB - Parts



- | | | | |
|----------|-------------------------|-----------|---------------------|
| 1 | Housing - Shell | 8 | Main shaft pulley |
| 2 | Blower Wheel - Impeller | 9 | V-Belt |
| 3 | Inlet | 10 | Motor |
| 4 | Back cover | 11 | Motor Pulley |
| 5 | Bracket | 12 | Fan Base - Pedestal |
| 6 | Transmission | 13 | Shock pad |
| 7 | Shel of belt | | |

Part No. BPA	Description	r/min
21104001(1 to 8)	HPB Series fan 400mm A-Drive (PART)	2900
21104501(1 to 8)	HPB Series fan 450mm A-Drive (PART)	1450
21105001(1 to 8)	HPB Series fan 500mm A-Drive (PART)	2900
21105601(1 to 8)	HPB Series fan 560mm A-Drive (PART)	1450
21106301(1 to 8)	HPB Series fan 630mm A-Drive (PART)	2900
21107101(1 to 13)	HPB Series fan 710mm D-Drive (PART)	1450
21108001(1 to 13)	HPB Series fan 800mm D-Drive (PART)	2900
21109001(1 to 13)	HPB Series fan 900mm D-Drive (PART)	1450
21110001(1 to 13)	HPB Series fan 1000mm D-Drive (PART)	1450
21111201(1 to 13)	HPB Series fan 1120mm D-Drive (PART)	960
21112501(1 to 13)	HPB Series fan 1250mm D-Drive (PART)	1450
21114001(1 to 13)	HPB Series fan 1400mm D-Drive (PART)	960
21116001(1 to 13)	HPB Series fan 1600mm D-Drive (PART)	1450

No. **Industrial Heavy Duty**
3.0 IHD Series

Page.
11 – 12

IHD – Industrial Heavy Duty



IHD Series – Industrial Heavy Duty

IHD series centrifugal exhaust fan is designed for exhausting gas with a mixture of wood debris, fibbers, and dust. This series industrial exhaust fan is very popular among users due to its good properties of large flow, high air pressure, abrasion resistance, and long service life, adopting the basic working principle of a centrifugal fan. A dust removal device must be mounted in front of the exhaust fan when there is a need of exhausting solid particles.

Part No. BPA	Description	RPM	Flow (M3/h)	Total Pressure (Pa)	Motor Power (KW)
35103112	IHD Series fan 315mm C-Drive	3150	1487-3323	1376-1880	2.2-3
35103112	IHD Series fan 315mm C-Drive	2800	1322-2954	1086-1483	1.5-2.2
35103112	IHD Series fan 315mm C-Drive	2500	1180-2637	865-1181	1.1-1.5
35103112	IHD Series fan 315mm C-Drive	2240	1057-2363	694-948	1.10
35103112	IHD Series fan 315mm C-Drive	2000	944-2110	553-755	0.75
35103112	IHD Series fan 315mm C-Drive	1800	850-1899	448-611	0.75
35103112	IHD Series fan 315mm C-Drive	1600	755-1688	354-483	0.75
35104012	IHD Series fan 400mm C-Drive	2500	2369-5495	1384-1933	3 - 4
35104012	IHD Series fan 400mm C-Drive	2240	2122-4942	1110-1550	2.2-3
35104012	IHD Series fan 400mm C-Drive	2000	1895-4396	884-1234	2.20
35104012	IHD Series fan 400mm C-Drive	1800	1705-3957	716-999	1.50
35104012	IHD Series fan 400mm C-Drive	1600	1516-3517	565-789	1.1-1.5
35104012	IHD Series fan 400mm C-Drive	1400	1326-3077	433-603	0.75
35104012	IHD Series fan 400mm C-Drive	1250	1184-2748	345-481	0.75
35105012	IHD Series fan 500mm C-Drive	2000	3553-8623	1381-1953	5.5-7.5
35105012	IHD Series fan 500mm C-Drive	1800	3198-7761	1118-1580	4-5.5
35105012	IHD Series fan 500mm C-Drive	1600	2842-6899	882-1247	3.00
35105012	IHD Series fan 500mm C-Drive	1400	2487-6036	675-954	2.20
35105012	IHD Series fan 500mm C-Drive	1250	2221-5390	538-760	1.5-2.2
35105012	IHD Series fan 500mm C-Drive	1120	1990-4829	432-610	1.1-1.5
35105012	IHD Series fan 500mm C-Drive	1000	1776-4312	334-486	0.75-1.1
35106312	IHD Series fan 630mm C-Drive	1600	5686-13799	1403-1985	7.5-11
35106312	IHD Series fan 630mm C-Drive	1400	4975-12074	1073-1517	5.5-7.5
35106312	IHD Series fan 630mm C-Drive	1250	4442-10781	855-1208	4-5.5
35106312	IHD Series fan 630mm C-Drive	1120	3980-9660	686-969	3 - 4
35106312	IHD Series fan 630mm C-Drive	1000	3554-8625	547-772	2.2-3
35106312	IHD Series fan 630mm C-Drive	900	3198-7762	443-625	1.5-2.2
35106312	IHD Series fan 630mm C-Drive	800	2843-6900	350-494	1.1-1.5
35108012	IHD Series fan 800mm C-Drive	1250	9096-22075	1381-1953	1.50
35108012	IHD Series fan 800mm C-Drive	1120	8150-19779	1108-1566	7.5-1.1
35108012	IHD Series fan 800mm C-Drive	1000	7276-17660	882-1247	7.50
35108012	IHD Series fan 800mm C-Drive	900	6549-15894	714-1009	5.5-7.5
35108012	IHD Series fan 800mm C-Drive	800	5821-14128	864-797	3 - 4
35108012	IHD Series fan 800mm C-Drive	710	5166-12539	444-627	3.00
35108012	IHD Series fan 800mm C-Drive	630	4584-11126	350-494	2.20

No. **Industrial Marine and Construction**
4.0 IMC Series

Page.
13 – 14

IMC – Industrial Marine and Construction



IMC Series - Industrial Marine and Construction

IMC Series centrifugal fan is applicable in the indoor ventilation system of large or medium structures or installations. It is able both to bring air into the installation or move gas out of the interior space. The air or gas it processes is required to be non-flammable, harmless, non-corrosive to steel, and no more than 80°C. Moreover, the ventilation fan is designed and limited to carry non-viscous gas whose solid particle content is lower than 150mg/m³.

The IMC series start from 800mm impellers and go up to a staggering 2500mm. These fans are perfect for air extraction and keeping air in any big hall, tunnel or factory clean and manageable.

Part No. BPA	Description	RPM	Flow (M3/h)	Total Pressure(Pa)	Motor Power (kW)
42108004	IMC Series fan 800mm D-Drive	1450	17585-30774	2158-1501	18.50
43108004	IMC Series fan 800mm D-Drive	960	11643-20375	942-657	5.50
44108004	IMC Series fan 800mm D-Drive	730	8853-15403	549-383	3
42110004	IMC Series fan 1000mm D-Drive	1450	35420-61179	3442-2422	55
43110004	IMC Series fan 1000mm D-Drive	960	23450-40505	1510-1059	18.50
44110004	IMC Series fan 1000mm D-Drive	730	17832-30801	873-618	7.50
43112504	IMC Series fan 1250mm D-Drive	960	45800-79111	2354-1657	55
44112504	IMC Series fan 1250mm D-Drive	730	34828-60157	1363-961	22
45108002	IMC Series fan 800mm C-Drive	1800	21830-38202	3315-2315	37
45108002	IMC Series fan 800mm C-Drive	630	7641-13371	402-284	2.20
45110002	IMC Series fan 1000mm C-Drive	1250	30534-52740	2560-1795	37
45110002	IMC Series fan 1000mm C-Drive	500	12214-21096	412-284	3
45112502	IMC Series fan 1250mm C-Drive	1120	53434-92296	3207-2256	75-90
45112502	IMC Series fan 1250mm C-Drive	400	19084-32963	412-284	4
45116002	IMC Series fan 1600mm C-Drive	960	96052-165908	3864-2717	200
45116002	IMC Series fan 1600mm C-Drive	315	31517-54439	412-294	7.50
45120002	IMC Series fan 2000mm C-Drive	710	138747-239654	3305-2324	220
45120002	IMC Series fan 2000mm C-Drive	250	48855-84385	412-284	11

MGE – Mining and Gas Exhaust Fan

No. **Mining and Gas Exhaust Fan**
5.0 MGE Series

Page.
15 – 17



MGE – Mining and Gas Exhaust Fan

MGE centrifugal fans are mainly designed for mine ventilation and building ventilation. It can also be used as a boiler ventilator and is used to transmit air with a max temperature of 80°C.

The MGE-2 Series induced draft fan is utilized to deliver gas whose temperature is limited to 250°C. A dust removal device is needed to be installed before an induced draft fan since the solid particle is generally required to be no more than 150mg/m³ in power plants. The values of the I and II series are the same.

Please specify what temperature your airstream is and we will see to it we give you our best recommendation for your installation.

Different models MGE fans are available:

- MGE series anti-corrosion high-temperature centrifugal fan
- MGE series centrifugal fan with vibration absorber

Different models MGE-2 induced draft fans are available:

- MGE series anti-corrosion high-temperature centrifugal fan
- MGE series centrifugal fan with vibration absorber

Part No. BPA	Description	RPM	Flow (M3/h)	Total Pressure (Pa)	Motor Power (KW)
52312004	MGE Series fan 1200mm D-Drive	1450	54526-104600	3171-4777	132-160
53312004	MGE Series fan 1200mm D-Drive	960	26100-59235	1381-2075	37-45
54312004	MGE Series fan 1200mm D-Drive	730	27541-52661	797-1196	15-18.5
52314004	MGE Series fan 1400mm D-Drive	1450	86586-166100	4333-6541	280-315
53314004	MGE Series fan 1400mm D-Drive	960	57326-109970	1883-2831	75-90
54314004	MGE Series fan 1400mm D-Drive	730	43591-83624	1086-1630	37-45
53316004	MGE Series fan 1600mm D-Drive	960	85571-164150	2465-3709	185
54316004	MGE Series fan 1600mm D-Drive	730	65069-124820	1420-2133	75
55316004	MGE Series fan 1600mm D-Drive	580	51699-99178	894-1343	45
53318004	MGE Series fan 1800mm D-Drive	960	121830-233730	3126-4710	280-315
55318004	MGE Series fan 1800mm D-Drive	580	73610-141210	1133-1702	75
53320004	MGE Series fan 2000mm D-Drive	960	167130-320610	3870-5837	450-560
54320004	MGE Series fan 2000mm D-Drive	730	127080-243800	2225-3347	210-245
55320004	MGE Series fan 2000mm D-Drive	580	100979-193700	1400-2104	110-132
53320006	IMC Series fan 2000mm F-Drive	960	159100-295600	5570-3700	450-500
54320006	IMC Series fan 2000mm F-Drive	730	121000-224700	3220-2140	220
53322006	MGE Series fan 2200mm F-Drive	960	211700-393100	6740-4470	800
54322006	MGE Series fan 2200mm F-Drive	730	16100-299100	3900-2590	355
53325006	MGE Series fan 2500mm F-Drive	960	310800-577300	8720-5780	1600
54325006	MGE Series fan 2500mm F-Drive	730	236300-439000	5040-3340	630
54328006	MGE Series fan 2800mm F-Drive	730	332000-616600	6320-4190	1250
55328006	MGE Series fan 2800mm F-Drive	580	263700-489800	3980-2640	630
54329506	MGE Series fan 2950mm F-Drive	730	388400-721300	7010-4650	1600
55329506	MGE Series fan 2950mm F-Drive	580	308500-573000	4420-2930	800

MGE – Mining and Gas Exhaust Fan

Part No. BPA	Description	RPM	Flow (M3/h)	Total Pressure (Pa)	Motor Power (KW)
52312004	MGE Series fan 1200mm D-Drive	1450	54526-104600	3171-4777	132-160
53312004	MGE Series fan 1200mm D-Drive	960	26100-59235	1381-2075	37-45
54312004	MGE Series fan 1200mm D-Drive	730	27541-52661	797-1196	15-18.5
52314004	MGE Series fan 1400mm D-Drive	1450	86586-166100	4333-6541	280-315
53314004	MGE Series fan 1400mm D-Drive	960	57326-109970	1883-2831	75-90
54314004	MGE Series fan 1400mm D-Drive	730	43591-83624	1086-1630	37-45
53320004	MGE Series fan 2000mm D-Drive	960	167130-320610	3870-5837	450-560
54320004	MGE Series fan 2000mm D-Drive	730	127080-243800	2225-3347	210-245
55320004	MGE Series fan 2000mm D-Drive	580	100979-193700	1400-2104	110-132
53320006	IMC Series fan 2000mm F-Drive	960	159100-295600	5570-3700	450-500
54320006	IMC Series fan 2000mm F-Drive	730	121000-224700	3220-2140	220
53322006	MGE Series fan 2200mm F-Drive	960	211700-393100	6740-4470	800
54322006	MGE Series fan 2200mm F-Drive	730	16100-299100	3900-2590	355
53325006	MGE Series fan 2500mm F-Drive	960	310800-577300	8720-5780	1600
54325006	MGE Series fan 2500mm F-Drive	730	236300-439000	5040-3340	630
54328006	MGE Series fan 2800mm F-Drive	730	332000-616600	6320-4190	1250
55328006	MGE Series fan 2800mm F-Drive	580	263700-489800	3980-2640	630
54329506	MGE Series fan 2950mm F-Drive	730	388400-721300	7010-4650	1600
55329506	MGE Series fan 2950mm F-Drive	580	308500-573000	4420-2930	800

*Induced draft fan?

Fans that are used to evacuate a space or create negative air pressure in a system are referred to as induced draft fans. Occasionally, manufacturing spaces are required by specifications to be maintained at a specific negative pressure. An induced draft is also used to identify the combustion process used in large boilers. When mechanical ventilation is supplied to these boilers, the heat transfer rate increases; the boiler can be reduced in size to produce the same amount of energy as a natural draft. The induced draft fans used in combustion systems are normally high temperature and extra heavy-duty construction.



No. **Axial Air Mover**
6.0 AAM Series

Page.
18 – 19

AAM – Axial Air Mover



AAM – Axial Air Mover

AAM series axial fan is a standard axial fan with many applications even in tunnel ventilation and HVAC systems. Based on the previous model it has experienced some modification in motor and fan structure, which is changed into a cylindrical hub type to reduce the loss of air flow.

The axial fan is widely applied in factories, warehouses, offices, and housings for ventilation or radiant heating uses. With the case removed it can be used as an individual ordinary fan. In a long pipeline it is also a good solution to improve air pressure by mounting the AAM axial flow fan in series at a certain interval inside the ventilation pipe.

Our axial fans are applicable for explosion prevention purposes with the adoption of a non-explosive motor and aluminium impeller. It is an ideal choice when the workplace is non-corrosive and is filled with explosive and flammable gas.

Part No. BPA	Description	RPM	Flow (M3/h)	Total Pressure (Pa)	Motor Power (KW)
65002801	AAM Series axial fan 280mm A-Drive	2800	1182-2682	119-173	0.12-0.37
65002801	AAM Series axial fan 280mm A-Drive	1400	592-1344	29.8-43.4	0.025-0.04
65003101	AAM Series axial fan 315mm A-Drive	2800	1877-4012	158.6-230.3	0.18-0.55
65003101	AAM Series axial fan 315mm A-Drive	1400	938-2006	39.6-57.5	0.025-0.09
65003501	AAM Series axial fan 355 m A-Drive	2800	2687-5746	201.5-292.3	0.37-1.1
65003501	AAM Series axial fan 355 m A-Drive	1400	1346-2878	50.3-73.1	0.04-0.12
65004001	AAM Series axial fan 400mm A-Drive	2800	3843-8207	255.7-371.2	0.75-2.2
65004001	AAM Series axial fan 400mm A-Drive	1400	1924-4114	64-92.8	0.09-0.25
65004501	AAM Series axial fan 450mm A-Drive	1400	2740-5858	80.9-117.5	0.12-0.37
65005001	AAM Series axial fan 500mm A-Drive	1400	4141-8412	105-153.4	0.25-0.75
65005001	AAM Series axial fan 500mm A-Drive	910	2691-5468	44.1-64.5	0.37
65005601	AAM Series axial fan 560mm A-Drive	1400	5817-11817	131.4-192	0.37-1.1
65005601	AAM Series axial fan 560mm A-Drive	910	3781-7681	55.5-81.1	0.37
65006301	AAM Series axial fan 630mm A-Drive	1450	8579-17426	178.3-260.7	0.75-2.2
65007101	AAM Series axial fan 710mm A-Drive	935	7918-16084	94.2-137.7	0.75-1.1
65008001	AAM Series axial fan 800mm A-Drive	960	11630-23624	126.1-184.2	0.75-2.2
65009001	AAM Series axial fan 900mm A-Drive	960	16560-33937	159.5-233.2	1.5-4
65010001	AAM Series axial fan 1000mm A-Drive	960	22716-46141	197-287.9	2.2-7.5
65011501	AAM Series axial fan 1150mm A-Drive	960	31914-64825	247-361.1	04 - 11



No. **Multi Vane Dampers**
7.0 Air Shuttle 280 - 1200

Page.
20 – 21

Multi Vane Dampers



Multi Vane Dampers 280 – 1200

Inlet Vane Dampers, Variable Inlet Vane, and Inlet Box Dampers are ideal for volume control applications. They turn a big fan into a little fan and will provide a 4 to 1 turn down while holding peak static pressure on a fan curve. We've built them for spray booths for industrial paint finishing, blow off systems, and fan inlet discharge. But the applications are diverse and we are more than willing to discuss your application.

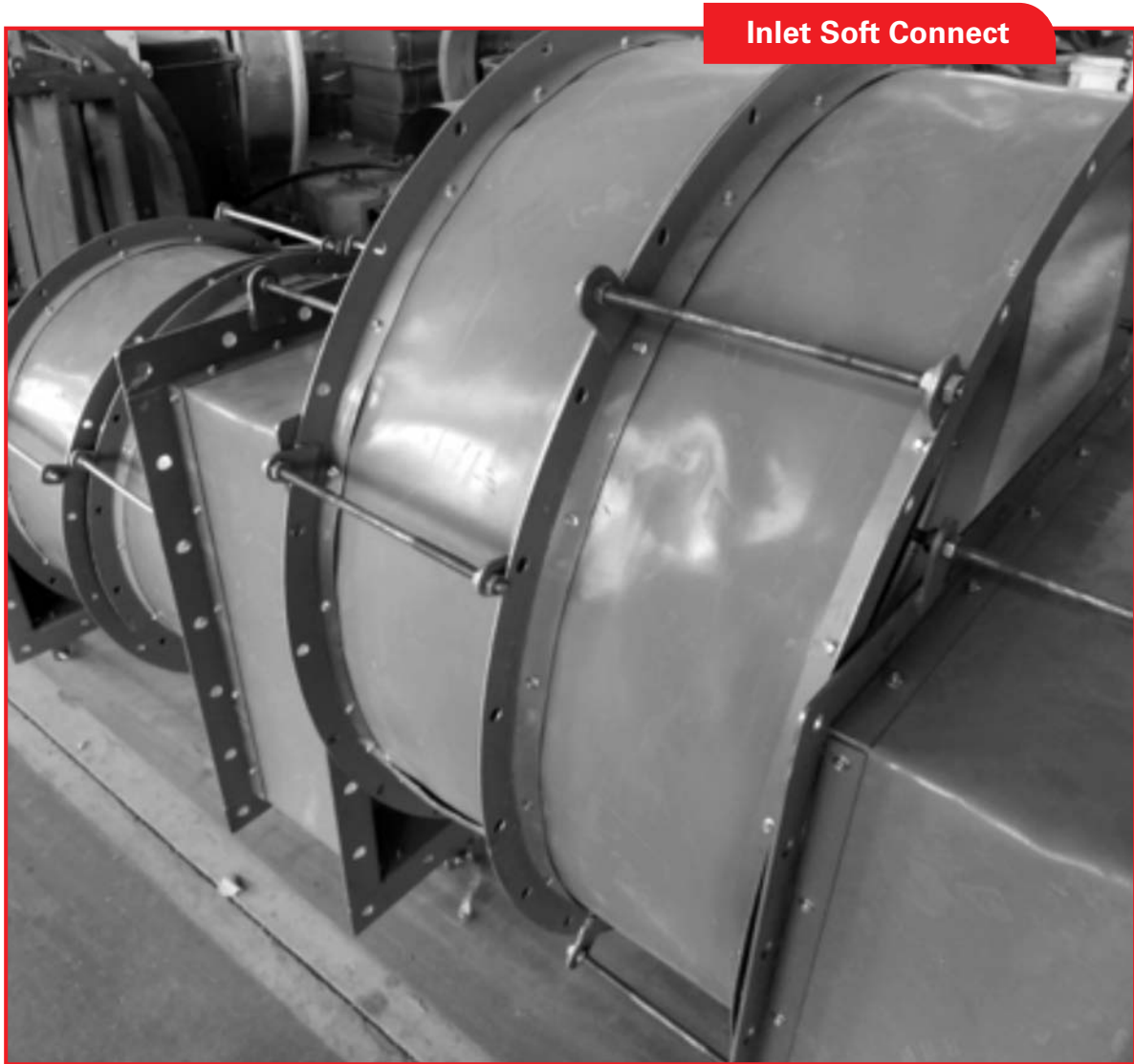
From 400mm we supply the multi vane damper, everything below 400mm the damper is made by a shutter design of at least 3 shutter vanes.

Part No. BPA	Description	Diameter in MM
70002800	Air Shuttle - Multi Vane Damper 280mm	280
70003200	Air Shuttle - Multi Vane Damper 320mm	320
70003600	Air Shuttle - Multi Vane Damper 360mm	360
70004000	Air Shuttle - Multi Vane Damper 400mm	400
70004500	Air Shuttle - Multi Vane Damper 450mm	450
70005000	Air Shuttle - Multi Vane Damper 500mm	500
70005500	Air Shuttle - Multi Vane Damper 550mm	550
70006000	Air Shuttle - Multi Vane Damper 600mm	600
70007000	Air Shuttle - Multi Vane Damper 700mm	700
70007500	Air Shuttle - Multi Vane Damper 750mm	750
70008000	Air Shuttle - Multi Vane Damper 800mm	800
70009000	Air Shuttle - Multi Vane Damper 900mm	900
70010000	Air Shuttle - Multi Vane Damper 1000mm	1000
70011000	Air Shuttle - Multi Vane Damper 1100mm	1100
70012000	Air Shuttle - Multi Vane Damper 1200mm	1200



No. **Soft Connectors for Centrifugal fans**
8.0 Inlet Soft Connect 400 - 1400

Page.
22 – 23



Inlet Soft Connect

Our soft connectors are made by high quality soft polyester material. The connector is used when the fan and the connection in between don't come together when installing. Accidents or miscalculation happens, with this product you can easily overcome the problem and prevent further downtime.

Part No. BPA	Description	Diameter in MM
80004000	Inlet soft connect 400	400
80005000	Inlet soft connect 500	500
80006000	Inlet soft connect 600	600
80007000	Inlet soft connect 700	700
80008000	Inlet soft connect 800	800
80009000	Inlet soft connect 900	900
80010000	Inlet soft connect 1000	1000
80011000	Inlet soft connect 1100	1100
80012000	Inlet soft connect 1100	1200
80013000	Inlet soft connect 1200	1300
80014000	Inlet soft connect 1400	1400



Motors

No.	Motors	Page.
9.0	CG Motors 1.1 to 75 KW	24 – 26
9.1	PYTHON Motors 1.1 to 75 KW	27 – 28
9.2	ELVEM Motors 1.1 to 75 KW	29 - 30



CG Motors 1.1 to 75 KW

CG is a USD 2 billion engineering conglomerate with an impressive and diverse portfolio of products, solutions and services for Power and Industrial equipment's and solutions, addressing all needs. Enjoying a reputation of stature for over seven decades, CG, which originates in India, has transformed itself into a global corporation. With a permanent footprint and manufacturing facilities in nine countries across Asia, Europe and North America, CG is fast emerging as a first-choice supplier of high quality" smart" electrical, industrial and consumer products and solutions all over the world. CG offers a wide range of high and low voltage motors (rotating machines). The range includes safe and hazardous area motors, energy efficient motors as well as motors for special applications like brake motor, re-rolling mill, cement mill, oil-well pump etc. The range also includes DC Motors and Traction motors. GC motors are available in various standards and customized configurations to respond to the exacting demands of the industry.



All our motors are EI2 - 4 Pole motors:

Part No. BPA	Description	KW	RPM
90040011	Motor CG 1.1 KW 1450 RPM	1.1	1450
90040015	Motor CG 1.5 KW 1450 RPM	1.5	1450
90040022	Motor CG 2.2 KW 1450 RPM	2.2	1450
90040030	Motor CG 3.0 KW 1450 RPM	3.0	1450
90040040	Motor CG 4.0 KW 1450 RPM	4.0	1450
90040055	Motor CG 5.5 KW 1450 RPM	5.5	1450
90040075	Motor CG 7.5 KW 1450 RPM	7.5	1450
90040110	Motor CG 11.0 KW 1450 RPM	11.0	1450
90040150	Motor CG 15.0 KW 1450 RPM	15.0	1450
90040185	Motor CG 18.5 KW 1450 RPM	18.5	1450
90040220	Motor CG 22.0 KW 1450 RPM	22.0	1450
90040300	Motor CG 30.0 KW 1450 RPM	30.0	1450
90040370	Motor CG 37.0 KW 1450 RPM	37.0	1450
90040450	Motor CG 45.0 KW 1450 RPM	45.0	1450
90040550	Motor CG 55.0 KW 1450 RPM	55.0	1450
90040750	Motor CG 75.0 KW 1450 RPM	75.0	1450

CG Motors 1.1 to 75 KW

All our motors are E12 - 2 Pole motors:

Part No. BPA	Description	KW	RPM
90020011	Motor CG 1.1 KW 2900 RPM	1.1	2900
90020015	Motor CG 1.5 KW 2900 RPM	1.5	2900
90020022	Motor CG 2.2 KW 2900 RPM	2.2	2900
90020030	Motor CG 3.0 KW 2900 RPM	3.0	2900
90020040	Motor CG 4.0 KW 2900 RPM	4.0	2900
90020055	Motor CG 5.5 KW 2900 RPM	5.5	2900
90020075	Motor CG 7.5 KW 2900 RPM	7.5	2900
90020110	Motor CG 11.0 KW 2900 RPM	11.0	2900
90020150	Motor CG 15.0 KW 2900 RPM	15.0	2900
90020185	Motor CG 18.5 KW 2900 RPM	18.5	2900
90020220	Motor CG 22.0 KW 2900 RPM	22.0	2900
90020300	Motor CG 30.0 KW 2900 RPM	30.0	2900
90020370	Motor CG 37.0 KW 2900 RPM	37.0	2900
90020450	Motor CG 45.0 KW 2900 RPM	45.0	2900
90020550	Motor CG 55.0 KW 2900 RPM	55.0	2900
90020750	Motor CG 75.0 KW 2900 RPM	75.0	2900



PYTHON Motors 1.1 to 75 KW

Python motors from Poland has a short but successful history, being a producer of motors and selling to big companies all over the world has not gone unnoticed and Python is slowly getting to a stage where they are a renowned player in the market for motors and other related products.



All our motors are EI2 - 4 Pole motors:

Part No. BPA	Description	KW	RPM
91040011	Motor PYTHON 1.1 KW 1450 RPM	1.1	1450
91040015	Motor PYTHON 1.5 KW 1450 RPM	1.5	1450
91040022	Motor PYTHON 2.2 KW 1450 RPM	2.2	1450
91040030	Motor PYTHON 3.0 KW 1450 RPM	3.0	1450
91040040	Motor PYTHON 4.0 KW 1450 RPM	4.0	1450
91040055	Motor PYTHON 5.5 KW 1450 RPM	5.5	1450
91040075	Motor PYTHON 7.5 KW 1450 RPM	7.5	1450
91040110	Motor PYTHON 11.0 KW 1450 RPM	11.0	1450
91040150	Motor PYTHON 15.0 KW 1450 RPM	15.0	1450
91040185	Motor PYTHON 18.5 KW 1450 RPM	18.5	1450
91040220	Motor PYTHON 22.0 KW 1450 RPM	22.0	1450
91040300	Motor PYTHON 30.0 KW 1450 RPM	30.0	1450
91040370	Motor PYTHON 37.0 KW 1450 RPM	37.0	1450
91040450	Motor PYTHON 45.0 KW 1450 RPM	45.0	1450
91040550	Motor PYTHON 55.0 KW 1450 RPM	55.0	1450
91040750	Motor PYTHON 75.0 KW 1450 RPM	75.0	1450

PYTHON Motors 1.1 to 75 KW

All our motors are EI2 - 2 Pole motors:

Part No. BPA	Description	KW	RPM
91020011	Motor PYTHON 1.1 KW 2900 RPM	1.1	2900
91020015	Motor PYTHON 1.5 KW 2900 RPM	1.5	2900
91020022	Motor PYTHON 2.2 KW 2900 RPM	2.2	2900
91020030	Motor PYTHON 3.0 KW 2900 RPM	3.0	2900
91020040	Motor PYTHON 4.0 KW 2900 RPM	4.0	2900
91020055	Motor PYTHON 5.5 KW 2900 RPM	5.5	2900
91020075	Motor PYTHON 7.5 KW 2900 RPM	7.5	2900
91020110	Motor PYTHON 11.0 KW 2900 RPM	11.0	2900
91020150	Motor PYTHON 15.0 KW 2900 RPM	15.0	2900
91020185	Motor PYTHON 18.5 KW 2900 RPM	18.5	2900
91020220	Motor PYTHON 22.0 KW 2900 RPM	22.0	2900
91020300	Motor PYTHON 30.0 KW 2900 RPM	30.0	2900
91020370	Motor PYTHON 37.0 KW 2900 RPM	37.0	2900
91020450	Motor PYTHON 45.0 KW 2900 RPM	45.0	2900
91020550	Motor PYTHON 55.0 KW 2900 RPM	55.0	2900
91020750	Motor PYTHON 75.0 KW 2900 RPM	75.0	2900



ELVEM Motors 1.1 to 75 KW

Elvem from Italy is a company making motors for more than 50 years and the quality is top of the line. They supply three-phase two-pole asynchronous electric motors in cast iron. The size ranges from MEC 160 to 450, efficiency classes IE4, IE3, IE2 and IE1. As of 2017, the acronym 7T identifies electric asynchronous three-phase single-pole motors with cast iron casing made by Elvem:

- 7T4, efficiency class IE4
- 7T3, efficiency class IE3
- 7T2, efficiency class IE2
- 7T1, efficiency class IE1

Standard cast iron motors manufactured by Elvem are equipped with SKF bearings, PTC temperature probes and external greaser in brass that ensures periodic lubrication of bearings. The ground terminals are places outside and inside of the terminal box. The painting was carried out in multiple cycles to ensure optimal protection against oxidation.



All our motors are EI2 - 4 Pole motors:

Part No. BPA	Description	KW	RPM
92040011	Motor ELVEM 1.1 KW 1450 RPM	1.1	1450
92040015	Motor ELVEM 1.5 KW 1450 RPM	1.5	1450
92040022	Motor ELVEM 2.2 KW 1450 RPM	2.2	1450
92040030	Motor ELVEM 3.0 KW 1450 RPM	3.0	1450
92040040	Motor ELVEM 4.0 KW 1450 RPM	4.0	1450
92040055	Motor ELVEM 5.5 KW 1450 RPM	5.5	1450
92040075	Motor ELVEM 7.5 KW 1450 RPM	7.5	1450
92040110	Motor ELVEM 11.0 KW 1450 RPM	11.0	1450
92040150	Motor ELVEM 15.0 KW 1450 RPM	15.0	1450
92040185	Motor ELVEM 18.5 KW 1450 RPM	18.5	1450
92040220	Motor ELVEM 22.0 KW 1450 RPM	22.0	1450
92040300	Motor ELVEM 30.0 KW 1450 RPM	30.0	1450
92040370	Motor ELVEM 37.0 KW 1450 RPM	37.0	1450
92040450	Motor ELVEM 45.0 KW 1450 RPM	45.0	1450
92040550	Motor ELVEM 55.0 KW 1450 RPM	55.0	1450
92040750	Motor ELVEM 75.0 KW 1450 RPM	75.0	1450

ELVEM Motors 1.1 to 75 KW

All our motors are EI2 - 2 Pole motors:

Part No. BPA	Description	KW	RPM
92020011	Motor ELVEM 1.1 KW 2900 RPM	1.1	2900
92020015	Motor ELVEM 1.5 KW 2900 RPM	1.5	2900
92020022	Motor ELVEM 2.2 KW 2900 RPM	2.2	2900
92020030	Motor ELVEM 3.0 KW 2900 RPM	3.0	2900
92020040	Motor ELVEM 4.0 KW 2900 RPM	4.0	2900
92020055	Motor ELVEM 5.5 KW 2900 RPM	5.5	2900
92020075	Motor ELVEM 7.5 KW 2900 RPM	7.5	2900
92020110	Motor ELVEM 11.0 KW 2900 RPM	11.0	2900
92020150	Motor ELVEM 15.0 KW 2900 RPM	15.0	2900
92020185	Motor ELVEM 18.5 KW 2900 RPM	18.5	2900
92020220	Motor ELVEM 22.0 KW 2900 RPM	22.0	2900
92020300	Motor ELVEM 30.0 KW 2900 RPM	30.0	2900
92020370	Motor ELVEM 37.0 KW 2900 RPM	37.0	2900
92020450	Motor ELVEM 45.0 KW 2900 RPM	45.0	2900
92020550	Motor ELVEM 55.0 KW 2900 RPM	55.0	2900
92020750	Motor ELVEM 75.0 KW 2900 RPM	75.0	2900



General Information

No.	General Information	Page.
10.0	Technicalities About BPA Fans	31
10.1	Fan Selection Questionnaire	32
10.2	Fan Part Number Explanation	33 - 36

Technicalities About BPA Fans

Selecting a fan can be tricky, the best way to proceed is to ask one of our employees via email or telephone. But just to make it easy for you we have included this small explanation on how our part numbers work and what factors are important when selecting a fan. This can be found at the Fan Selection Questionnaire section.

We look forward on making you a competitive offer, do not hesitate to ask us anything.



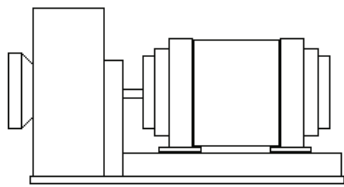
Fan Selection Questionnaire

Fan application:

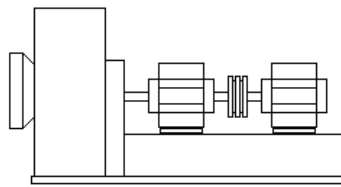
What is the function of the fan / what is the fan used for:

The fan design:

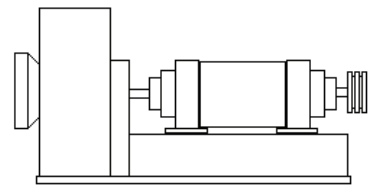
- | | | |
|---|------------|-------------------|
| 1. Fan type | O - AXIAL | / O - CENTRIFUGAL |
| 2. Direct drive or belt drive | O - Direct | / O - Belt driven |
| 3. Location: | O - Inside | / O - Outside |
| 4. Airflow M3/H or CFM: _____ | | |
| 5. Power requirements: _____ | | |
| 6. Sound requirements (dB): _____ | | |
| 7. Kw (kilowatt) of the motor: _____ | | |
| 8. Static pressure in SP or WC: _____ | | |
| 9. Fan material (aluminium, steel, ect): _____ | | |
| 10. Fan exhaust position (in degrees): _____ | | |
| 11. Temperature of the airstream: _____ | | |
| 12. Quality of air going in the fan (dust, smoke, ect): _____ | | |
| 13. Explosion proof requirements of the fan: _____ | | |



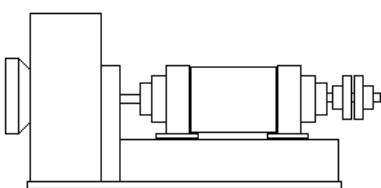
A - Drive



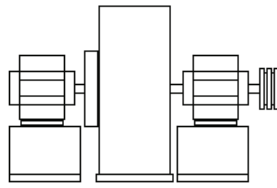
B - Drive



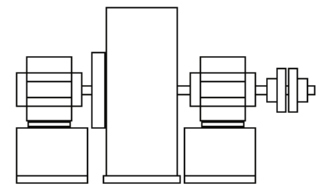
C - Drive



D - Drive



E - Drive



F - Drive

Fan Part Number Explanation

FANS

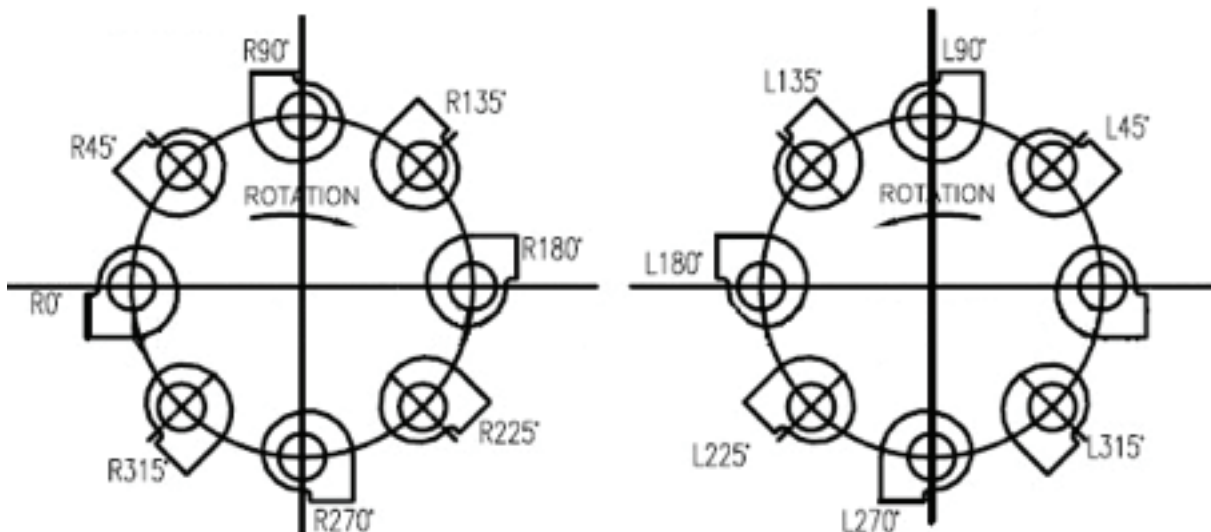
Numbers:	X	X	X	XXX	X	X
Fan type:	Series of fan	RPM	Outlet position	Size of fan	Series (if applicable)	Type of drive
IFF	1	1 to 5	1 to 8	028 to 999	1 to 2	1 to 6
HPB	2	1 to 5	1 to 8	028 to 999	1 to 2	1 to 6
IHD	3	1 to 5	1 to 8	028 to 999	1 to 2	1 to 6
IMC	4	1 to 5	1 to 8	028 to 999	1 to 2	1 to 6
MGE	5	1 to 5	1 to 8	028 to 999	1 to 2	1 to 6
AAM	6	1 to 5	1 to 8	028 to 999	1 to 2	1 to 6

Outlet positions:	
1	R0
2	R45
3	R90
4	R135
5	R180
6	R225
7	R270
8	R315

Type of drive	
1	A - Direct driven
2	C - Belt Driven
3	B - Drive
4	D - Drive
5	E - Drive
6	F - Drive

RPM	
1	2900
2	1450
3	960
4	730
5	Various

OUTLET POSITIONS



Fan Part Number Explanation

PARTS

Numbers:	XX	X	XXXX	X(X)
Part type:	Series of fan	Speed RPM	Size of fan	Type of part
Spare parts	10 to 61	1 to 3	0280 to 9999	1 to 13

Type of part	
1	HOUSING
2	IMPELLER
3	INLET
4	COVER
5	BRACKET
6	TRANSMISSION
7	SHEL OF BELT
8	MAIN SHAFT PULLEY
9	V-BELT
10	MOTOR
11	MOTOR PULLEY
12	FAN BASE
13	SHOCK PAD

Speed RPM	
1	2900
2	1450
3	960
4	Various

EXPLANATION PART NUMBERS FOR ACCESSORIES:

Numbers:	XX	XXXXXX
Product:	Series of fan	Size of shuttle
Air shuttle	70	002800 to 012000
Inlet soft connect	80	004000 to 014000

EXPLANATION PART NUMBERS FOR MOTORS:

Numbers:	XX	XX	XXXX
Part type:	Brand of motor	Poles	KiloWat
Motor	90 to 92	01 to 08	0011 to 9999



United Arab Emirates
BPA Specialities – Headquarters
P.O. Box 125482
Dubai, UAE
Tel: + 971 (0) 4 324 2776
E-mail: Info@BPA-Fans.com
Web: www.bpa-fans.com

United Arab Emirates
BPA Specialities – Warehouse
Dubai Maritime City, Warehouse 118
Dubai, UAE
Tel: + 971 (0) 5 034 997 47
E-mail: Info@BPA-Fans.com
Web: www.bpa-fans.com