



ABOUT US

MISSION was established in Dubai since 2013 to manufacture and supply high quality plumbing products to the commercial project sector.

Our product range are mostly for building constructions fundamental which specially used by Electro Mechanical Contractor.

- Such as D.I ,C.I, S.S, Manhole covers, Floor Drains, C.I, C.A Roof Drains, S.S Gratings, SS Floor Trap covers, and cleanouts, PPR, CPVC Pipes and Fittings. These products are imported from renowned and approved manufacturers all over the country.

MISSION

- Strive for total Customer satisfaction through quality service and constant communication.
- Provide products that meet the customers expectation by teaming up with well established supplier.
- Promote up to date products that will give the customer a competitive edge.

VISION

Our vision is to create long-term value for our client through a passionate commitment to excellence and disciplined management process, which together drive a sustained competitive advantage in today's dynamic market situation.

OUR VALUES

- Integrity
- Respect and recognition of Employees & Customers
- Team work
- Service to Customers and the Society
- Passion for excellence in everything we do



MEYDAN RESIDENCES - 1

TECHNICAL SUBMITTAL FORM

Record Reference: ADAA-MS-PL-00-030 Date: 08-Feb-2014

Project Details: Musanada's Project Number: [RECEIVED]

Project Name: Abu Dhabi Accountability Authority Headquarters Building

Client: Abu Dhabi General Services PJSC (MUSANADA) Engineer: RW Armstrong

Contractor: SEIDCO General Contracting Co. L.L.C. Rev. No: (00)

Discipline: Civil Architectural Mechanical Electrical Others

Material Detail

Item Description: Planter Drain

Spec Ref: Section 200 100

Material Proposed: Aqua Plus - India

Manufacturer/Local Supplier: Mission Building Material Trading

Reason for Alternative: [RECEIVED]

Remarks: We certify that the material proposed has been reviewed in details and in compliance with the Contract Drawings and Specifications (except as otherwise stated above).

Contractor Signature: [Signature]

Discipline Engineer: [Signature]

Received By: [Signature]

The Engineer: [Signature]

Reviewed By & Signature: (The Engineer) [Signature]

Received By (The Contractor) [Signature]

Distribution: PM (Original) QS Contractor Others

MATERIAL SUBMITTAL FORM

Record Reference: ADAA-MS-PL-00-030 Date: 08-Feb-2014

Project Details: Musanada's Project Number: [RECEIVED]

Project Name: Abu Dhabi Accountability Authority Headquarters Building

Client: Abu Dhabi General Services PJSC (MUSANADA) Engineer: RW Armstrong

Contractor: SEIDCO General Contracting Co. L.L.C. Rev. No: (00)

Discipline: Civil Architectural Mechanical Electrical Others

Material Detail

Item Description: Planter Drain

Spec Ref: Section 200 100

Material Proposed: Aqua Plus - India

Manufacturer/Local Supplier: Mission Building Material Trading

Reason for Alternative: [RECEIVED]

Remarks: We certify that the material proposed has been reviewed in details and in compliance with the Contract Drawings and Specifications (except as otherwise stated above).

Contractor Signature: [Signature]

Discipline Engineer: [Signature]

Received By: [Signature]

The Engineer: [Signature]

Reviewed By & Signature: (The Engineer) [Signature]

Received By (The Contractor) [Signature]

Distribution: PM (Original) QS Contractor Others

MATERIAL APPROVAL REQUEST (MAR)

Serial No: M0093 Rev. No: 00 Date: 30/04/2015 SIC Ref: [RECEIVED]

Material Description: CLEAN OUT COVER

Trade Name: CLEAN OUT COVER Manufacturer: AQUA PLUS, INDIA Supplier: MA MISSION BUILDING MATERIAL TRADING FZE ADNOC Reg. No. [RECEIVED]

Specification requirement detail: Section - 15150 - Drainage Specialties Location / Area of use: Toilet & Kitchen Discipline: Mechanical

Technical details: Refer to attached submittals

Attachments:

1. Specification comparison sheet Yes NA 4. Other supporting documents (list): Yes NA

2. Sample Yes NA

3. Original Brochure Yes NA

NA: Not applicable

Notes/Comments: [RECEIVED]

For CONTR: Accepted Accepted subject to Incorporate comments, resubmit before proceeding Not accepted

Comments: [RECEIVED]

Name: Rayan El Eid Project Manager Signature: [Signature] Date: 30.04.2015

For ADNOC: Accepted Accepted subject to Incorporate comments, resubmit before proceeding Not accepted

Comments: [RECEIVED]

Name: Mr. Santhesh Kandathil Cheryan Project Manager Date: 15/05/2015 Signature: [Signature]

PCD-QSC-FMT-061 Rev 0 15 May 2014

Turner ACC Dewan

PROJECT: The Address Residence Fountain View Development MATERIAL SUBMITTAL

PACKAGE: Main Works

Contractor Name: Arabian Construction Company Package No: MW

Consultant Name: Dewan At Emara Architects & Engineers

DOCUMENT NO. REV. DESCRIPTION DISCIPLINE TYPE

15122 SANITARY WASTE PIPING SPECIALTIES (PAGE #2, 3 & 4)

15122 SANITARY WASTE PIPING SPECIALTIES (PAGE #2, 3 & 4)

MISSION BUILDING MATERIAL TRADING/W EXPORT - INDIA

Contractor Name: Arabian Construction Company

Project Manager: Mr. Selim Khalil Gholam

Approved: [Signature] 30.08.15

Approved as noted: [Signature] 30.08.15

Approved as noted, Resubmit: [Signature] 30.08.15

Not Approved: [Signature] 30.08.15

Consent Name / Signature / Date: [Signature] 30.08.15

Corrections or comments made relative to submittals during this review do not relieve the contractor from compliance with the requirements of the Contract. This check is only for review of general compliance with the design concept of the project and general compliance with the information given in the contract documents. The contractor is responsible for confirming and controlling all quantities and dimensions, selecting fabrication processes and techniques of construction, coordinating his work with that of other trades and performing his work to a safe and satisfactory manner.

Distribution: PM (Original) QS Contractor Others

ABU DHABI AIRPORTS

Contract No: AZI.06.14.0511 MS No: MS/0511/PL/0013

Contract Title: Construction of New VVIP Lounge at Al Bateen Executive Airport Rev. 00

From: Taylor Woodrow - Fibrex JV Date: 15 FEB 2015

To: Dar Al Handashah Nazih Taleb & Partners

Manufacturer: AQUA PLUS

Local Agent/Supplier: Pfafend/Ms MISSION

Description of the Material: As per Specification Alternative

FLOOR TRAPS, ROOF DRAIN, FLOOR CLEAN OUT & GULLY TRAP

BOQ / Drawing Ref. No. / Specification No. [RECEIVED]

Attached Specification: Refer relevant clauses of volume 2 specification volume 4 of 5 mechanical specification

Material Required in Site as per Programme: [RECEIVED]

Raised By: Taylor Woodrow - Fibrex JV / Pfafend

Engineer's Comments: [RECEIVED]

Reviewed By: [Signature]

Employer's Comments / Recommendation: [RECEIVED]

Need approval and coordination with architect for the form and type

At 03:00 PM, Mr. Mahir Tajirwan, Estimator, request to be implemented.

SUBCONTRACTOR APPROVAL REQUEST

CONTRACT NO.: SCAR. NO. SCAR - 044

CONTRACT TITLE: PROPOSED COMMERCIAL & RESIDENTIAL BUILDING ON PLOT NO. P17TRM03, GOLDEN MILE-3 AT PALM JUMEIRAH, DUBAI

CONTRACTOR: TROJAN General Contracting L.L.C. Dubai branch L.L.C.

SUB-CONTRACTOR: MISSION BUILDING MATERIAL TRADING FZCO

TO: Arif & Bintok Consulting Architects & Engineers FROM: TROJAN General Contracting L.L.C.

DESCRIPTION: PRE-QUALIFICATION DOCUMENTS & MATERIAL SUBMITTAL OF FLOOR TRAP COVER & BALCONY DRAIN COVER

1- FLOOR TRAP COVER STAINLESS STEEL S.S. 316 (SIZE 150 X 150 MM) WITH SAMPLE

2- BALCONY DRAIN COVER STAINLESS STEEL S.S. 316 (SIZE 75 X 75 MM) WITH SAMPLE

LEAD SECTOR CONSULTANT'S COMMENTS: NO Objection

CONTRACTOR'S REVIEW: [RECEIVED]

SIGNATURE: ENG. EISSA AWADAH GEN. CONT. L.L.C.

For and on behalf of Arif & Bintok Date: 19/11/15

MATERIAL SUBMITTAL

Contract No: ADR/06.15.0036 MS No: M0093/0022

Contract Title: Construction Manager At Risk Agreement for T1 & T2 Work/Completing in-line Screening, T3 Check-in Expansion and Fire / Life Safety Rev. 01

From: ALEC / ALISMCO Date: 28-Nov-15

To: JACOBS

Manufacturer: JF Filtrix / Laxmay / Invis / Artline / Lax - Linear

Local Agent/Supplier: Mission Building Material Trading FZCO

Description of the Material: As per Specification Alternative

31 - Light Fixings

BOQ / Drawing Ref. No. / Specification No. [RECEIVED]

Attached Specification: [RECEIVED]

Material Required in Site as per Programme: [RECEIVED]

Raised By: Shereef Miskane

Design Consultant Comments: [RECEIVED]

Engineer's Comments: [RECEIVED]

Reviewed By: [Signature]

NAKHEEL GICC

Contract No: DRG 10222 - 25a Pools

Project No: 21155-01000

ENGINEER: Dar Al Handashah Nazih Taleb & Partners

CONTRACTOR: Arabian Construction Co. LLC

DATE: 27-06-15

SUBMITTAL FOR APPROVAL OF MATERIALS

1. MATERIAL DESCRIPTION (see also July 08 Submittal): Drainage Accessories - Part 1 (Manufacturer: Aqua Plus)

Area of Application: All Areas

Area of Use: Mechanical Plant

Manufacturer: Aqua Plus

Local Agent: Mission Building Material Trading FZCO

Manufacturer's Representative Comments: [RECEIVED]

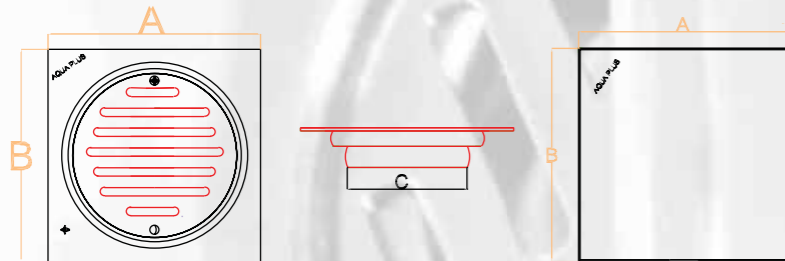
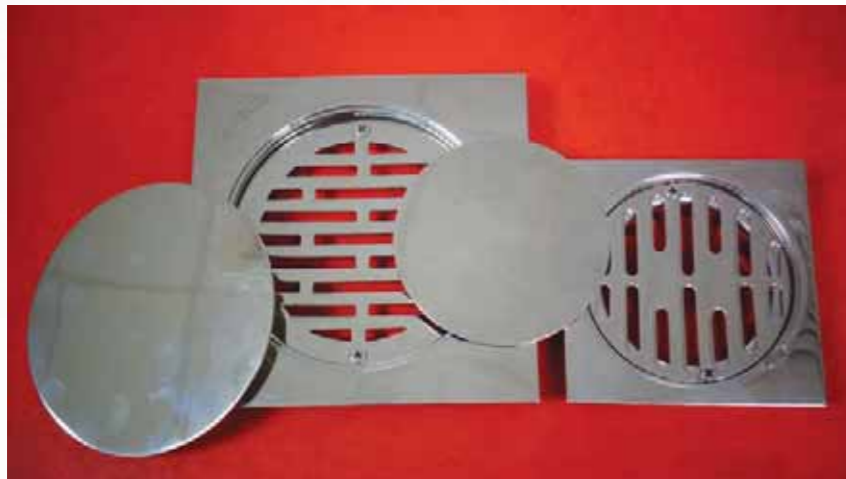
Engineer's Representative Comments: [RECEIVED]

Reviewed By: [Signature]



DRAINAGE ACCESSORIES

Floor Drain Covers (3pcs)



Materials available in: Stainless Steel AISI 304 (EN 1.4301)
Stainless Steel AISI 316 (EN 1.4401 / EN 1.4404)
Chrome Plated Brass
Nickle Bronze

Finishes: Matt, Mirror & Satin

Fitment:

- It slips snugly into the drainage pipe and is easy to install
- Drainers can fit various pipes.
- Different type of interfaces between pipe and drainers are also available.

Sizes available in:

ITEM CODE	A (Length mm)	B (Width mm)	C (Outlet In.)
DA 18042	80	80	2
DA 11143	110	110	3
DA 11544	150	150	4
DA 12046	200	200	6
DA 13048	300	300	8

(Note: Special sizes and design (round type) can be as per your requirement)

Floor Cleanout Cover Set

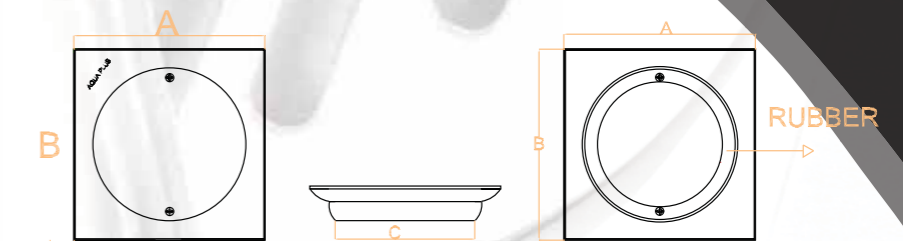
Materials available in: Stainless Steel AISI 304 (EN 1.4301)
Stainless Steel AISI 316 (EN 1.4401 / EN 1.4404)
Chrome Plated Brass
Nickle Bronze

Finishes: Matt, Mirror & Satin

Fitment:

- It slips snugly into the drainage pipe and is easy to install
- Drainers can fit various pipes
- Different type of interfaces between pipe and drainers are also available flashing materials.

" With Gasket Rubber "

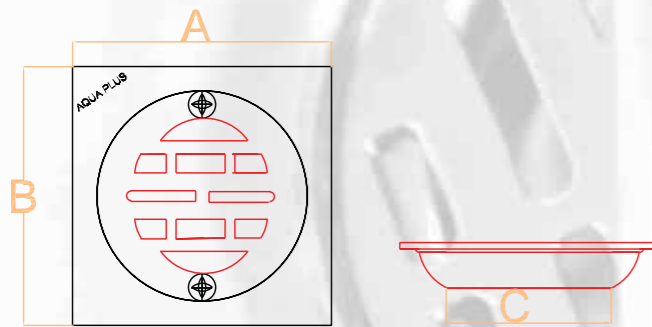


Sizes available in:

ITEM CODE	A (Length mm)	B (Width mm)	C (Outlet In.)
DA 28042	80	80	2
DA 21143	110	110	3
DA 21544	150	150	4
DA 22046	200	200	6
DA 23048	300	300	8

(Note: Special sizes and design (round type) can be as per your requirement)

Balcony / Shower Drain Set



Materials available in: Stainless Steel AISI 304 (EN 1.4301)
Stainless Steel AISI 316 (EN 1.4401 / EN 1.4404)
Chrome Plated Brass
Nickle Bronze

Finishes: Matt, Mirror & Satin

Fitment:

- It slips snugly into the drainage pipe and is easy to install
- Drainers can fit various pipes
- Different type of interfaces between pipe and drainers are also available

Sizes available in:

ITEM CODE	A (Length mm)	B (Width mm)	C (Outlet In.)
DA 35042	50	50	2
DA 38042	80	80	2
DA 31142	110	110	2

(Note: Special sizes can be as per your requirement)

SS Floor Drain Threaded Cover

Materials available in: Stainless Steel AISI 304 (EN 1.4301)
Stainless Steel AISI 316 (EN 1.4401 / EN 1.4404)

Finishes: Matt, Mirror & Satin

Fitment:

- It slips snugly into the drainage pipe and is easy to install
- Drainers can fit various pipes
- Different type of interfaces between pipe and drainers are also available.

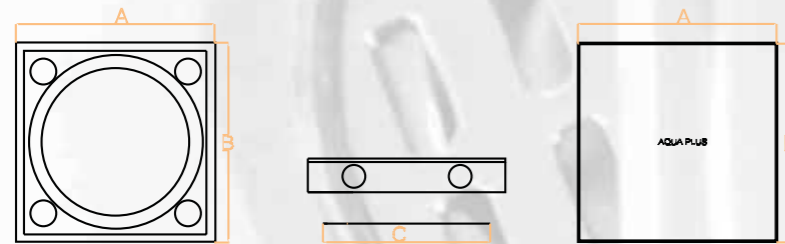


Sizes available in:

ITEM CODE	A (Length mm)	B (Width mm)	C (Outlet In.)
DA 61542	150	150	2
DA 61543	150	150	3
DA 61544	150	150	4

(Note: Special sizes can be as per your requirement)

Floor Cleanout Recessed Type



Materials available in: Stainless Steel AISI 304 (EN 1.4301)
Stainless Steel AISI 316 (EN 1.4401 / EN 1.4404)

Finishes: Matt, Mirror & Satin

Fitment:

- It slips snugly into the drainage pipe and is easy to install
- Drainers can fit various pipes
- Different type of interfaces between pipe and drainers are also available

“ With Gasket Rubber ”

Sizes available in:

ITEM CODE	A (Length mm)	B (Width mm)	C (Outlet In.)
DA 51342	130	130	2
DA 51343	130	130	3
DA 51344	130	130	4
DA 52046	200	200	6
DA 53048	300	300	8

(Note: Special sizes can be as per your requirement)

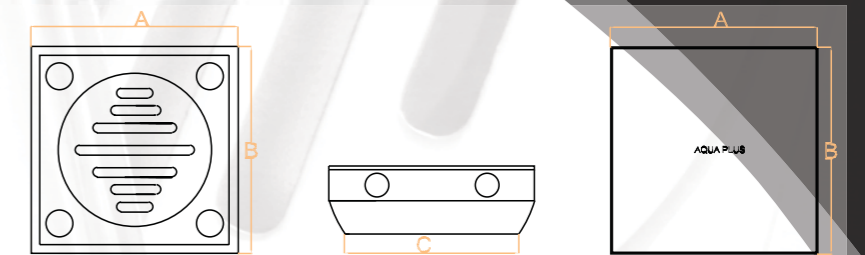
Floor Drain Recessed Type

Materials available in: Stainless Steel AISI 304 (EN 1.4301)
Stainless Steel AISI 316 (EN 1.4401 / EN 1.4404)

Finishes: Matt, Mirror & Satin

Fitment:

- It slips snugly into the drainage pipe and is easy to install
- Drainers can fit various pipes
- Different type of interfaces between pipe and drainers are also available.

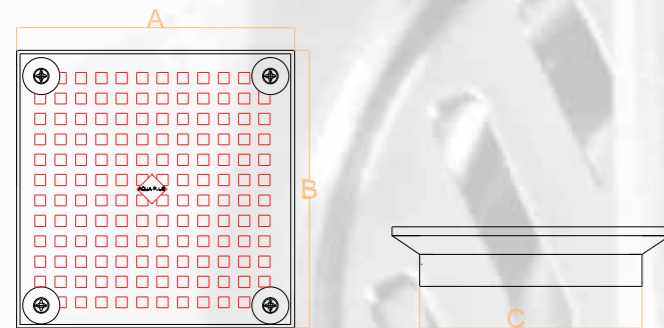
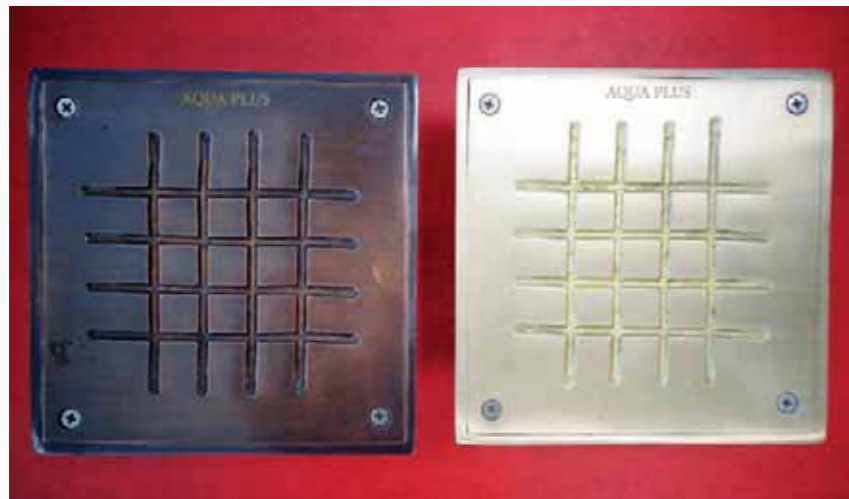


Sizes available in:

ITEM CODE	A (Length mm)	B (Width mm)	C (Outlet In.)
DA 41342	130	130	2
DA 41343	130	130	3
DA 41344	130	130	4
DA 42046	200	200	6
DA 43048	300	300	8

(Note: Special sizes can be as per your requirement)

Nickel Bronze Floor Cleanout Covers Heavy Duty



Materials available in: Nickel Bronze

- Fitment:**
- It slips snugly into the drainage pipe and is easy to install
 - Drainers can fit various pipes
 - Different type of interfaces between pipe and drainers are also available

Sizes available in:

ITEM CODE	A (Length mm)	B (Width mm)	C (Outlet In.)
DA 91163	110	110	3
DA 91564	150	150	4

(Note: Special sizes can be as per your requirement)

Option: With cast iron body

Sizes available in:

ITEM CODE	A (Length mm)	B (Width mm)	C (Outlet In.)
DA 91163 CB	110	110	3
DA 91564 CB	150	150	4

(Note: Special sizes can be as per your requirement)

Nickel Bronze Floor Drain Covers - Heavy Duty

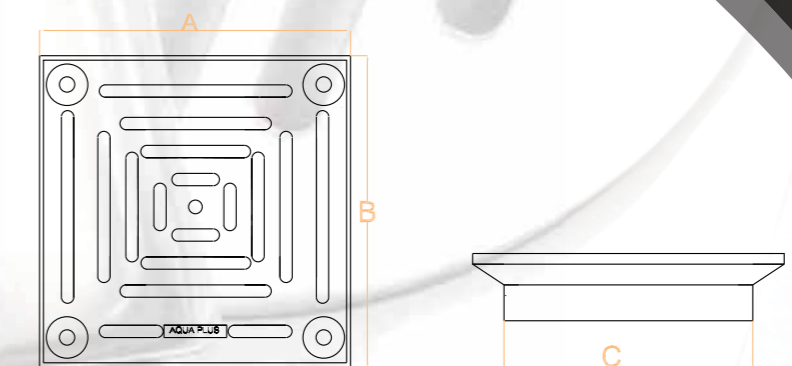
Materials available in: Nickel Bronze

- Fitment:**
- It slips snugly into the drainage pipe and is easy to install
 - Drainers can fit various pipes
 - Different type of interfaces between pipe and drainers are also available.

Sizes available in:

ITEM CODE	A (Length mm)	B (Width mm)	C (Outlet In.)
DA 81163	110	110	3
DA 81564	150	150	4

(Note: Special sizes can be as per your requirement)



Option: With cast iron body

Sizes available in:

ITEM CODE	A (Length mm)	B (Width mm)	C (Outlet In.)
DA 81163 CB	110	110	3
DA 81564 CB	150	150	4

(Note: Special sizes can be as per your requirement)

SS Floor Drain Hinged Type / Flip Flap



Materials Stainless Steel AISI 304 (EN 1.4301)
available in: Stainless Steel AISI 316 (EN 1.4401 / EN 1.4404)

Finishes: Matt, Mirror & Satin

Fitment:

- It slips snugly into the drainage pipe and is easy to install
- Drainers can fit various pipes
- Different type of interfaces between pipe and drainers are also available

Sizes available in:

ITEM CODE	A (Length mm)	B (Width mm)	C (Outlet In.)
DA 71142	110	110	2
DA 71143	110	110	3
DA 71544	150	150	4
DA 72046	200	200	6
DA 73048	300	300	8

(Note: Special sizes can be as per your requirement)

Planting / Flower Drain

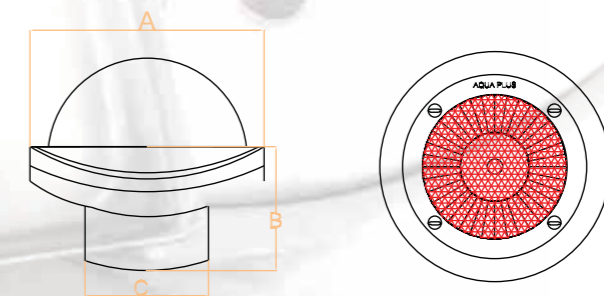
Epoxy coated cast iron planting area drain with membrane clamp, self-locking dome with stainless steel mesh

Materials Cast Iron Body With Aluminum dome And Stainless Steel
available in: Mesh

Available in: Flat Type

Outlet Type: No- Hub (NH)

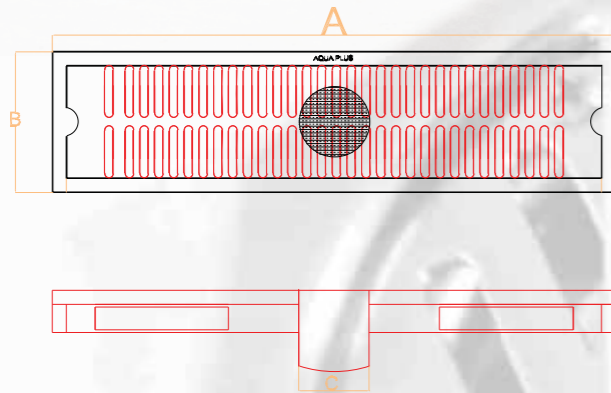
Function: The perforated standpipe, when surrounded by gravel fill, provides drainage of excess water from the planting or flower box. Top of standpipe is set at ground level and protected by dome cap. Excess surface water overflows into top of standpipe.



Sizes available in:

ITEM CODE	A (Length mm)	B (Width mm)	C (Outlet In.)
DA 102	6	2.5	3
DA 104	6	2.5	4
DA 106	6	2.5	6

SS Linear Shower Drain



Materials available in: Stainless Steel AISI 304 (EN 1.4301)
Stainless Steel AISI 316 (EN 1.4401 / EN 1.4404)

Finishes: Matt, Mirror & Satin

- Fitment:**
- It slips snugly into the drainage pipe and is easy to install
 - Drainers can fit various pipes
 - Different type of interfaces between pipe and drainers are also available

Sizes available in:

ITEM CODE	A (Length mm)	B (Width mm)	C (Outlet In.)
DA 11442	400	100	2
DA 11443	400	100	3
DA 11644	600	100	4
DA 11848	800	100	8

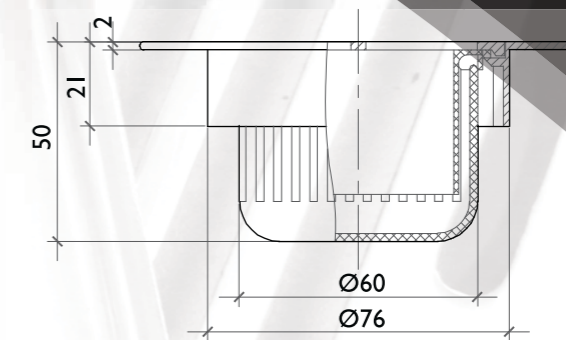
(Note: Special sizes can be as per your requirement)

Parking Drain

Materials available in: Cast Iron Body with Cast Iron Strainer
Cast Iron Body with S.S (304/316) Strainer
Cast Iron Body with Nickel Bronze Strainer

Available in Perforated

Square top drain, Dura- Coated cast iron body with bottom outlet and combination membrane flashing clamp and frame for cast iron heavy duty slotted grate, with suspended sediment bucket.

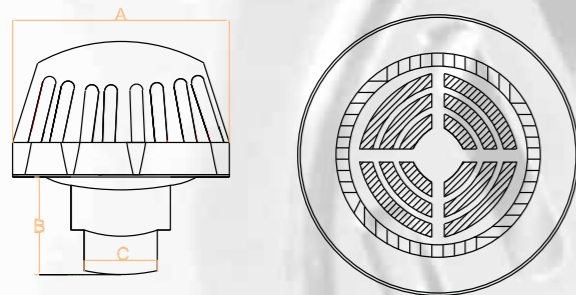


Sizes available in:

ITEM CODE	A (Length mm)	B (Width mm)	C (Outlet In.)
DA 12224	220	220	4

(Note: Special sizes can be as per your requirement)

Roof Drain (Dome Type)



Dura-coated cast iron body with combination membrane flashing clamp/ gravel guard and low-silhouette poly dome.

Materials available in: Cast Iron Body with Aluminum Dome
Cast Iron Body with Cast Iron Dome
Cast Iron Body with Nickel Bronze Dome

Outlet Type: Inside Caulk (IC), Threaded (IP), No- Hub (NH), Neo- Loc (NL), Neo- Loc (NL)

Function: Used in any type of flat roof and gutters. 8" diameter body is ideal for applications with limited space. Dome provides for efficient drainage of rainwater and prevents debris from entering the drain line. Anchor flange and membrane clamp with tongue in groove design provides for secure grip of membrane and roof flashing materials.

Sizes available in:

ITEM CODE	A (Length mm)	B (Width mm)	C (Outlet In.)
DA 13122	8.5	3.5	2
DA 13123	8.5	2.5	3
DA 13124	8.5	2.5	4
DA 13126	12.5	4.5	6
DA 13128	15	6	8

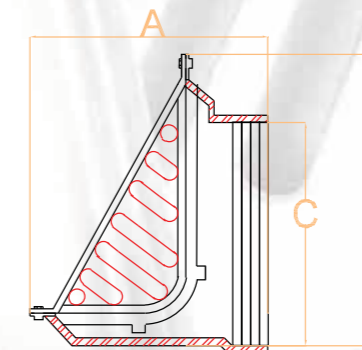
(Note: Special sizes can be as per your requirement)

Roof Drain Scupper Type Corner

Dura-coated cast iron (dcci) body with reversible back or bottom outlet, oblique aluminum gate with 90° combination frame and membrane flashing clamp.

Materials available in: Cast Iron Body With Aluminum Dome
Cast Iron Body With Cast Iron Dome
Cast Iron Body With Plain Bronze Dome

Function: Used in any type of flat roof and gutters. 8" diameter body is ideal for applications with limited space. Dome provides for efficient drainage of rainwater and prevents debris from entering the drain line. Anchor flange and membrane clamp with tongue in groove design provides for secure grip of membrane and roof flashing materials.



Sizes available in:

ITEM CODE	A (Length mm)	B (Width mm)	C (Outlet In.)
DA 14122	9	9	2
DA 14123	9	9	3
DA 14124	9	9	4
DA 14126	12.5	9	6
DA 14128	15	12	8

Manhole Cover & Frame as per BS EN 124

Load Class Application

BSEN 24 CLASS A 15 GROUP 1	Application 	BSEN 24 CLASS D 400 GROUP 4	Application 
BSEN 24 CLASS B 125 GROUP 2	Application 	BSEN 24 CLASS E 600 GROUP 5	Application 
BSEN 24 CLASS C 250 GROUP 3	Application 	BSEN 24 CLASS 5 900 GROUP 6	Application 

Our leading Brands

Made in India

AQUA PLUS	NIF UK	KAJ
------------------	--------	-----

Ductile Iron

Ductile iron is a cast iron alloy which the graphite is in the form of spherical nodules rather than flakes as in grey cast iron. The formation of nodules is achieved by addition of nodulizing elements, most commonly magnesium, into the melt and allows the carbon to separate as spheroid particles as the material solidifies.

Cast Iron

Grey cast iron is an alloy mainly consisting of iron carbon and silicon. It is made by re-melting pig iron or scrap steel at a melting temperature usually ranging from 1.150 to 1.200°C. Depending on the application, carbon and silicon content is from 2 to 3.5% and 1 to 3% respectively. Other alloying elements are then added to the melt before poured into moulds to produce castings.

Standardization

The official standards- design and test principles as well as dimensional standards- form the basis of development and design in drainage technology.

Gully tops, bridge drains, gratings and manhole covers are part of traffic surfaces. It follows that safety calls for rules, which have to be complied with by drainage components wherever they are fitted. Here, not only the static, but equally the dynamic load is of importance, based in Gully tops, bridge drains, gratings and manhole covers are safe from the traffic aspect, provided they fulfill fully standard conformity and conform to defined design features. These are among others, execution of contact surfaces, and the frame bearing area and weight (mass) an a traffic – safe fixing locking device to secure cover/ grating in frames...

Ductile Iron ; Solid Top

Available In :

Load : Class A 15, Class B 125, Class C 250, Class D 400, Class E 600, Class F 900

Seal Type : Double
Single

Coating : Bitumen
Epoxy
As per your requirement

Badging : (Arabic & English) Drainage
Water
Electrical
Telephone
Shall be provided as per your requirements



CODE	CLEAR OPENING A x B (mm)
MS3040	300X300
MS4540	450X450
MS6040	600X600
MS8040	800X800
MS9040	900X900
MS1140	1100X1100
MS9040	900X600

Ductile Iron ; Recessed Type

Available In :

Load : Class A 15, Class B 125, Class C 250, Class D 400, Class E 600, Class F 900

Seal Type : Double

Coating : Bitumen
Epoxy
As per your requirement

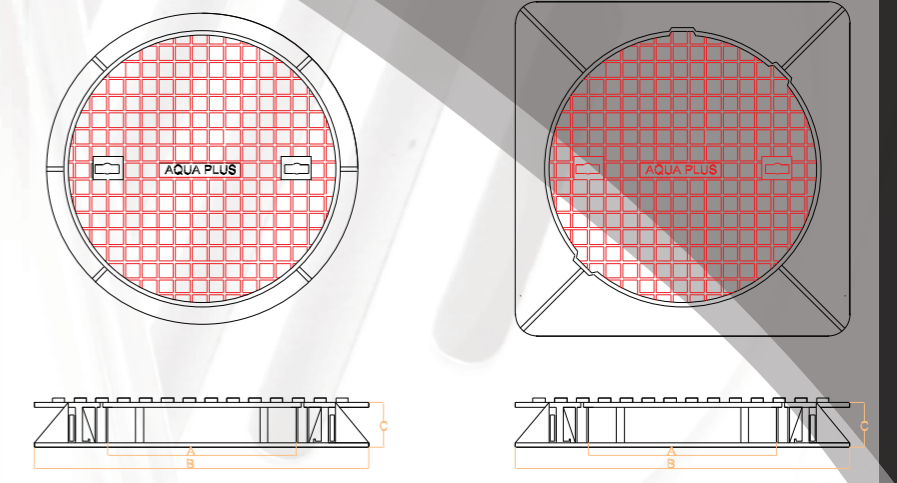
Badging : (Arabic & English) Drainage
Water
Electrical
Telephone
Shall be provided as per your requirements

Depth : 45 mm
70 mm



CODE	CLEAR OPENING A x B (mm)
MR3040	300X300
MR3040	450X450
MR6040	600X600
MR8040	800X800
MR9040	900X900
MR1040	1000x1000

Ductile Iron ; Circular or Square Frame



Available In :

Load : Class B 125, Class C 250, Class D 400

Coating : Bitumen
Epoxy
As per your requirement

CODE	CLEAR OPENING A x B (mm)
MD5540	550 DIA
MD6040	600 DIA
MD6640	665 DIA

Ductile Iron ; _____
Kerb Gully _____

Available In :

Load : Class D 400

Coating : Bitumen
 Epoxy
 As per your requirement



CODE	CLEAR OPENING A x B (mm)
KG5340	532 X 405 X 200 MM

Ductile Iron ; _____
FIC Manhole Cover _____

Available In :

Load : Class D 400

Seal Type : Double Triangular

Coating : Bitumen
 Epoxy
 As per your requirement

Badging : (Arabic & English)
 Drainage
 Water
 Electrical
 Telephone
 Shall be provided as per your requirements



CODE	CLEAR OPENING A x B (mm)
MFC 6040	600 X 600

Grating & Frame Cover _____
Channel Grating _____

Available In :

Load : Class D 400

Coating : Bitumen
 Epoxy
 As per your requirement



CODE	CLEAR OPENING A x B (mm)
MC1540	150X750
MC2040	200X750
MC3040	300X750
MC4540	450X750

Grating & Frame Cover _____
Gully Grating _____



CODE	CLEAR OPENING A x B (mm)
MG3040	300X300
MG4540	450X450
MG6040	600X600

Available In :

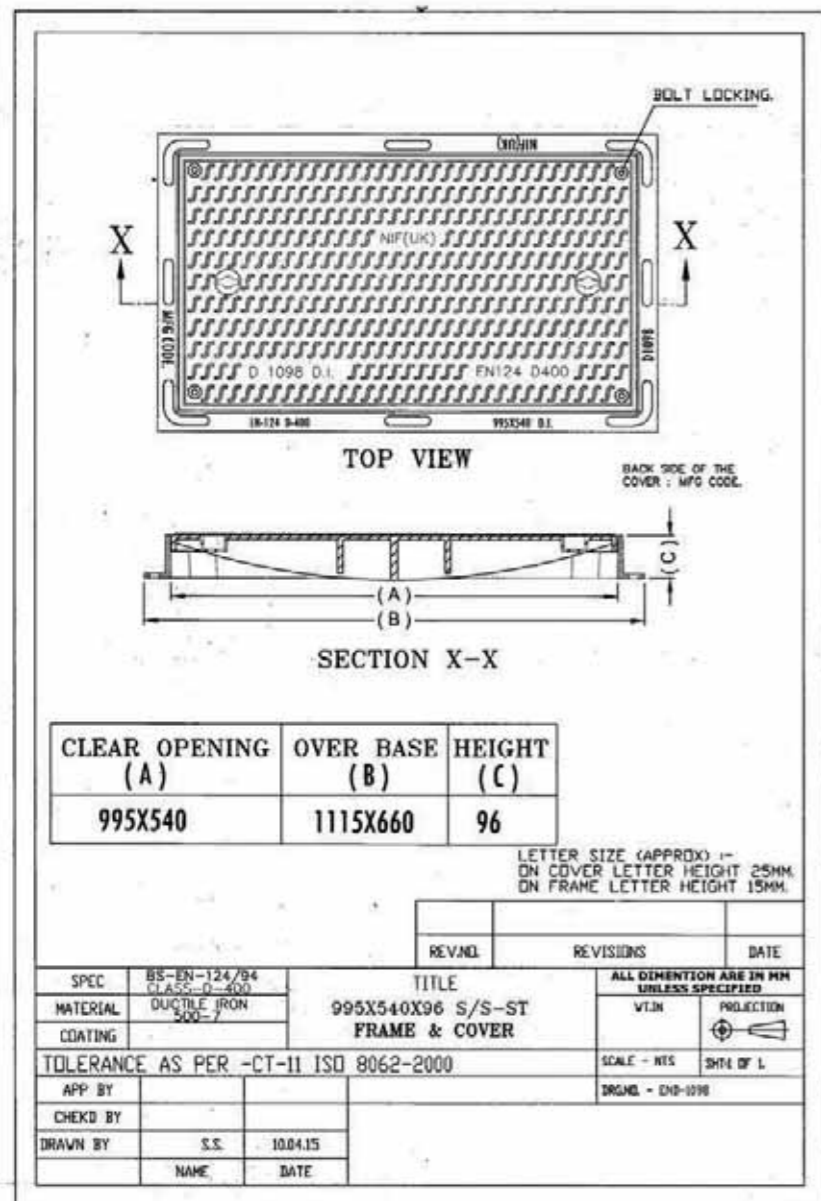
Load : Class D 400

Coating : Bitumen
 Epoxy
 As per your requirement

(JRC4-) Carriage way no.4

Available In :

- Load :** Class D 400
- Coating :** Bitumen
Epoxy
As per your requirement

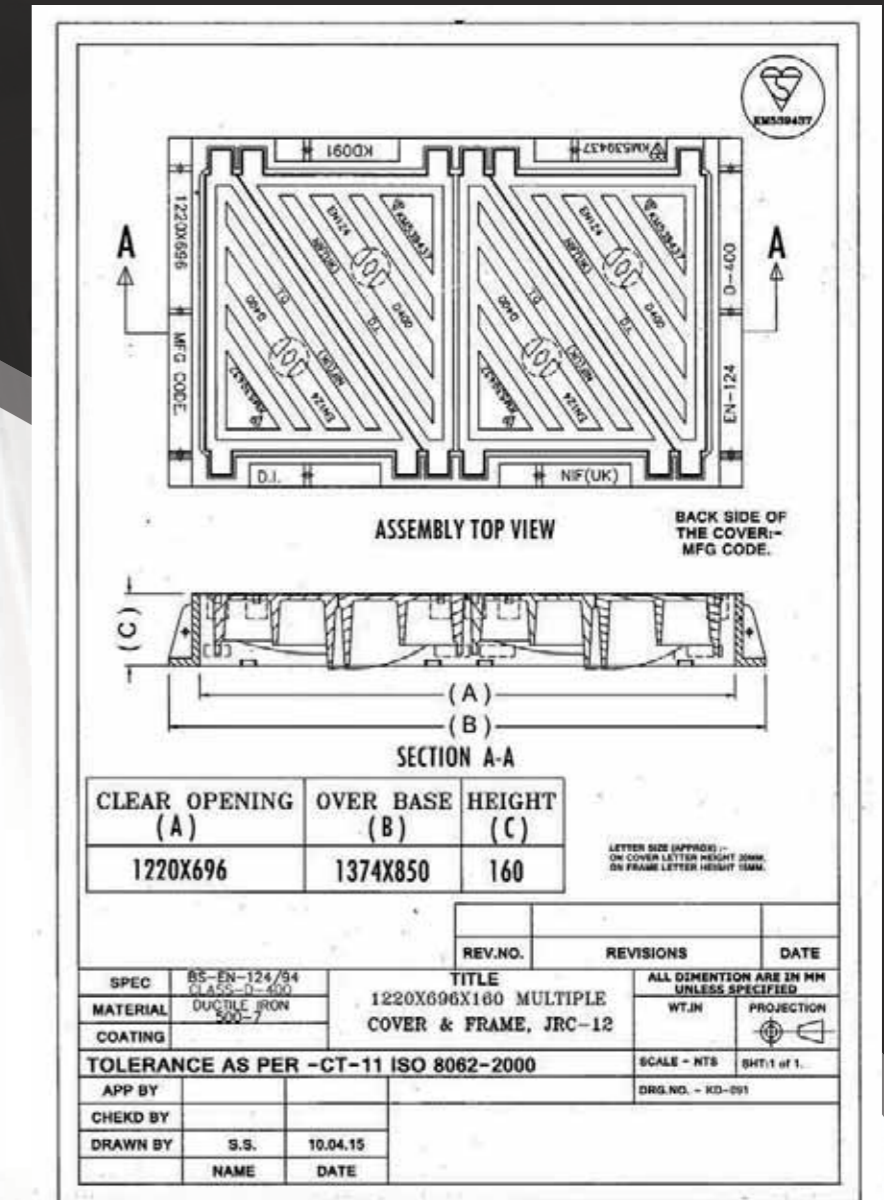


CODE	CLEAR OPENING A x B (mm)
JRC440	1120 X 660

Ductile Iron ; (JRC12-) Carraige Way no. 2

Available In :

- Load :** Class D 400
- Coating :** Bitumen
Epoxy
As per your requirement



CODE	CLEAR OPENING A x B (mm)
JRC1240	1220 X 696

* JRC - 14 (1830 X 696 X 160) Class D 400
Multiple cover & Frame

Aluminum; Solid Top/ Recessed Type Manhole Cover & Frame BS 1452 GR. 220



CODE (RECESSED TYPE)	CODE (SOLID TOP)	CLEAR OPENING A x B (mm)	OVER BASE C X D (mm)
AR6040	AS6040	600 x 600	75 x 750
AR3040	AS6040	300 x 300	435 x 435

For Recessed Type

Depth 35 mm
available in : 65 mm

SS Channel Grating



Materials available in: Stainless Steel Aisi 304 (En 1.4301)
Stainless Steel Aisi 316 (En 1.4401 / En 1.4404)
Chrome Plated Brass
Nickle Bronze

Function: Matt, Mirror & Satin

ITEM CODE	A (LENGTH MM)	A (WIDTH MM)
SS-C7515	500/ 750	150
SS-C7520	500/ 750	200
SS-C7525	500/ 750	250
SS-C7530	500/ 750	300

ACCESSORIES

Manhole Step Iron _____ as per BS 1247 - Specification _____

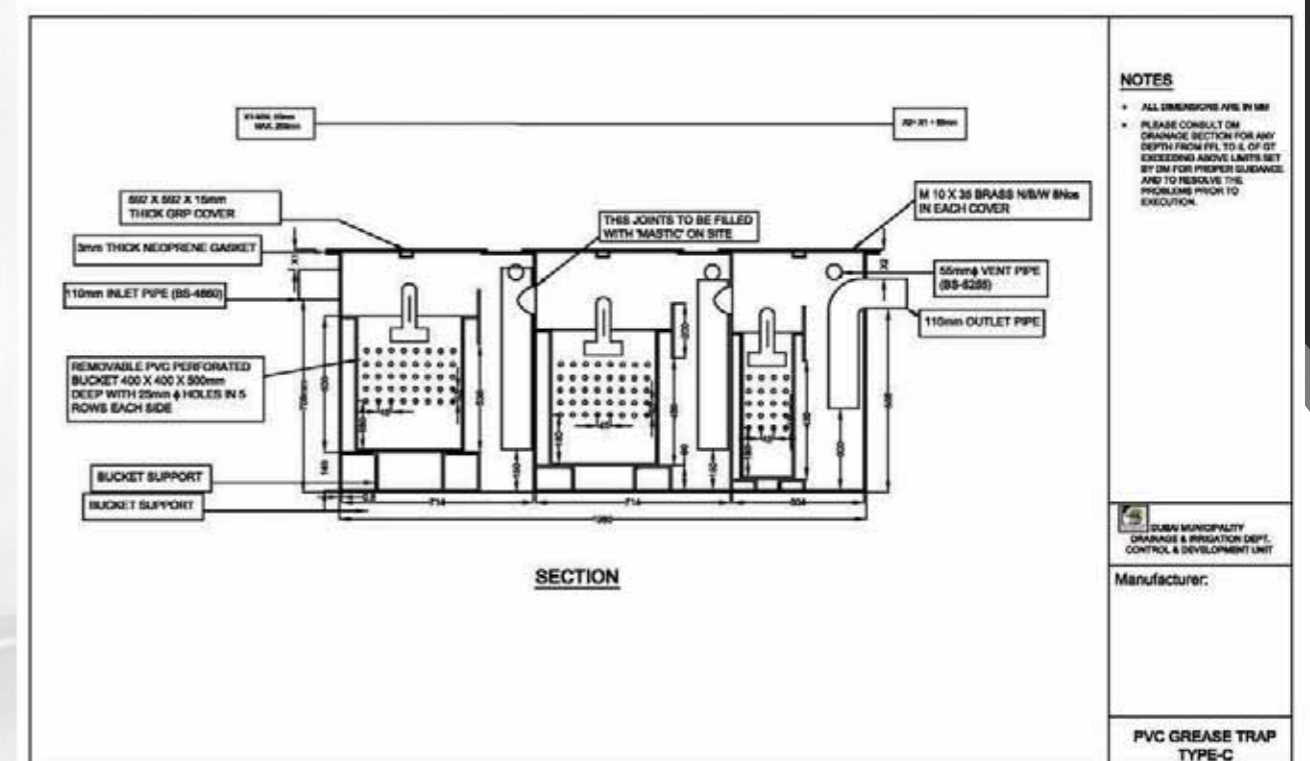
(Galvanized or Un Galvanized) Galvanizing as per BS 729

CODE	LENGTH A (MM)	WIDTH B (MM)	THREAD LENGTH C (MM)	APPX WEIGHT KG±5%
SI1540	230	150	125	1.2
SI1540	230	150	125	1.5
SI1540	370	150	125	2.5

Steel Lifting Keys _____

Steel lifting keys nickel plated different shapes and sizes

PVC Grease Trap _____ Type A, B & C _____



ACCESSORIES

Sand Basket (GRP)



- No. of Rows – 6
- No. of Holes in each Rows-3
- Hole DIA-50mm
- Flange: 8-10mm
- Body thickness min 4mm
- Hole DIA-3mm
- No. of holes 8 Nos.

Suitable for Grating Cover with 60 x 60 cm clear opening
(Please verify existing manhole cover)

GRP Sealing Plate

CODE	CLEAR OPENING A x B x C (mm)
SB6040	600 x 750 x 400
SB5540	550 x 750 x 400



RUBBISH CHUTES

Rubbish outlet on building sites.
For roofers and refurbishment professionals.



TECHNICAL DATA :

CODE	DESCRIPTION
Structure	Yellow polypropylene copolymer Wall thickness : 5 to 7.5mm
Chains	Max load : 1000 kg/chain Safety fixing with trigger release
Sizes	Inside diameter : 505/ 380mm Outside diameter : 540mm Total length : 1.1m Working length : 0.85m Total width : 620mm
Weight	Rubbish chute : 7.90 kg. Hopper Chute : 9.25 kg

PRODUCT ADVANTAGES

- Injection moulded using a top polypropylene copolymer to produce a light, strong and shock resistant product
- Inner ribbing for additional strength
- Reinforced fixing system with safety mechanism (exclusive to Haemmerlin)
- Optional: chute moderator to reduce dust and noise

PLUMBING ACCESSORIES

- PPR PIPES & FITTINGS
- u PVC PIPES & FITTINGS
- COPPER PIPES
- VALVES
- ANGLE VALVES AND CONCEALED STOP VALVES
- BOTTLE TRAPS
- FXF GATE VALVES
- COMPRESSION GATE VALVES
- FLOAT VALVE/ MOH , BALL FLOAT
- LEVER ARM BALL VALVE
- STOP COCKS
- BIPTAPS
- PRESSURE GAUGE
- SPRING CHECK VALVES
- SWING CHECK VALVES
- Y- STRAINER
- PLASTIC TRAPS CONDENSATE PRODUCTS
- SHOWER AND FLOOR GULLIES CHANNEL DRAIN AND TILE DRAIN
- PLASTIC WASTE PIPE AND FITTINGS, CHROME PLATED BRASS WASTE PIPE AND FITTINGS, DRAIN CONNECTORS, MECHANICAL SOIL PIPE BOSS CONNECTORS, ALUMINUM ROOF FLASHING (MacFlash)
- PLASTIC OVERFLOW PIPE AND FITTINGS
- WC CONNECTORS MACFIT, FLEXIBLE AND RIGID
- AIR ADMITTANCE VALVES (VENTAPIPE)



Pegler Yorkshire



THREADED ROD

BLACK, GI, YELLOW, HDG, CADMIUM NICKEL AND PTFE

Size (mm)

M6 | M8 | M10 | M12 | M16



G.I CLAMPS

Size (mm)

3/8" 2 1/2" | 1/2" 3" | 3/4" 3 1/2" | 1" 4"

1 1/4" 5" | 1 1/2" 6" | 2" 8"



C- CHANNEL

Size (mm)

30x40x2 | 40x40x3



L-CHANNEL

Size (mm)

30x30x3 | 30x30x4 | 40x40x3

40x40x4 | 50x50x3 | 50x50x4



U- CHANNEL

Size (mm)

30x30x3 | 40x40x3 | 40x40x4 | 50x50x4



BOLT

Size (mm)

M6x20 | M8x20 | M10x20 | M12x40 |

M16x60



NUT

Size (mm)

M6 | M8 | M10 | M12



BUILDING MATERIALS

Roof Tiles _____ Floor Tiles _____ Glass Blocks _____



Wheel Barrows _____

The standard professional range has withstood the test of time and forms a valuable part of the Haemmerlin product portfolio. Its special characteristics are a double shifted edge around the tray for strength edge around the tray for strength and rigidity which is further enhanced by front and side ribbing, and Ø 400mm wheel with a 4 ply pneumatic tyre (no 2 ply like many competitors).



Range :

- Wheelbarrows FIRST
- Wheelbarrows CARGO
- Wheelbarrows AKTIV
- Wheelbarrows PRO SELECT

Natural Stone _____

- Color, natural, grey with multi color/copper and shiny (fixing on net)
- Color, yellow or beige and white sandstone
- Natural finished
- Teak wood finished
- Honed finished
- Rainbow finished
- Crazy cut pattern, slate color; multi color/ natural

LIGHT FITINGS

We are providing high quality products in supply of the following illumination aspects:

General Internal Lighting, Landscape, Facade, roadway, Airports, stadiums, industrial, and specialty Lighting, hotels, decorative and chandeliers, Etc.



Such as:

- Indoor Light Fittings: SPI-Canada, Troll- Spain, GENEx-Italy
- PORTA ROMANA-UK, VENEZINA-China
- Outdoor Lightning: SIDE- Italy, IVELA-Italy, GOCCIA-Italy, TROLL-Spain, LOMBARDO-Italy, VENEZINA-China,
- Decorative Light: LUX MAY- Spain, META LLUX- ITALY, KICHLER-USA, TALLER UNO- Italy, CHELSOM-UK
- LED Light: GHIDINI-Italy, CASTALDI-Italy, LEDS C4-Spain, NEO NEON- Hongkong
- Poles & Traffic Light ROSA-Poland, CASATALDI-Italy, GRUPA ZIR Poland.

Our Projects Executed:

- Abu Dhabi International Airport T1 Departing & Arriving Passenger Segregation
- Abu Dhabi International Airport- T3 US Customs Facility.
- Abu Dhabi International Airport- T3 Transfer Baggage Facility (TBF)
- VVIP Lounge at Al Bateen Executive Airport
- Abu Dhabi International Airport A380 Stands/ Gate Room Expansion in Terminal 3
- Abu Dhabi International Airport T3 Departing & Arriving Passenger Segregation

GENERATOR

Perkins diesel generator meets all essential international and national standards.

Perkins is one of the world's leading diesel engine and Diesel generating set manufacturers since 1932, nearly 400,000 Perkins diesel generator units for one year. Perkins diesel generator quickly occupies the world market for the full specification, good structure, reliable performance, easy maintenance, low exhaust, long period maintenance. In the auto car, construction, agricultural, industrial and marine markets, major original equipment manufacturer choose Perkins diesel generator fuel efficiency, nature gas elding for reliable and durable use.



Model	Prime Power	Standby Power	Engine	Engine Max Power	Alternator	Alternator Power
	(KVA)	(KVA)	(PERKINS)	(KVA)	(STAMFORD)	(KVA)
MPS10-1	10	11	403C-11G	10.8	BCI164B	11
MPS13-1	13	14	403C-15G	15	BCI164C	13.5
MPS20-1	20	22	404C-22G	23	BCI184E	22.5
MPS30-1	30	33	1103A-33G	36	BCI184G	31.3
MPS45-1	45	50	1103A-33TG1	53	UCI224C	42.5
MPS60-1	60	66	1103A-33TG2	69	UCI224E	60
MPS65-1	65	72	1104A-44TG1	75	UCI224F	72.5
MPS80-1	80	88	1104A-44TG2	92	UCI224G	85
MPS93-1	93	102	1006TG1A	108	UCI274C	100
MPS100-1	100	110	1006TG2A	118	UCI274C	100
MPS137-1	137	151	1006TAG	161	UCI274E	140
MPS150-1	150	165	1006TAG2	161	UCI274F	160
MPS200-1	200	176	1306-E87TAG3	228	UCI274H	200
MPS225-1	225	248	1306-E87TAG4	255	UCDI274J	230
MPS250-1	250	275	1306-E87TAG6	280	UCDI274K	250
MPS300-1	300	330	2306C-E14TAG1	338	HCI444D	300
MPS350-1	350	385	2306C-E14TAG2	391	HCI444E	350
MPS400-1	400	440	2306C-E14TAG3	441	HC444F	400
MPS450-1	450	495	2506C-E15TAG1	515	HC544C	450
MPS500-1	500	550	2506C-E15TAG2	564	HC544C	450
MPS625-1	625	688	2806C-E18TAG2	688	HC544FS	625
MPS725-1	725	798	4006-23TAG2A	808	HCI634G	810
MPS800-1	800	880	4006-23TAG3A	881	HCI634G	810
MPS900-1	900	990	4008TAG2A	1110	HCI634H	940
MPS1000-1	1000	1100	4008TAG2A	1110	HCI634J	1030
MPS1250-1	1250	1375	4012TWG2A	1371	PI734A	1260
MPS1500-1	1500	1650	4012TAG2A	1620	PI734C	1550
MPS1750-1	1750	1925	4016TAG	1878	PI734E	1900
MPS1810-1	1810	1991	4016TAG1	1986	PI734E	1900
MPS2000-1	2000	2200	4016TAG2	2208	PI734F	2080



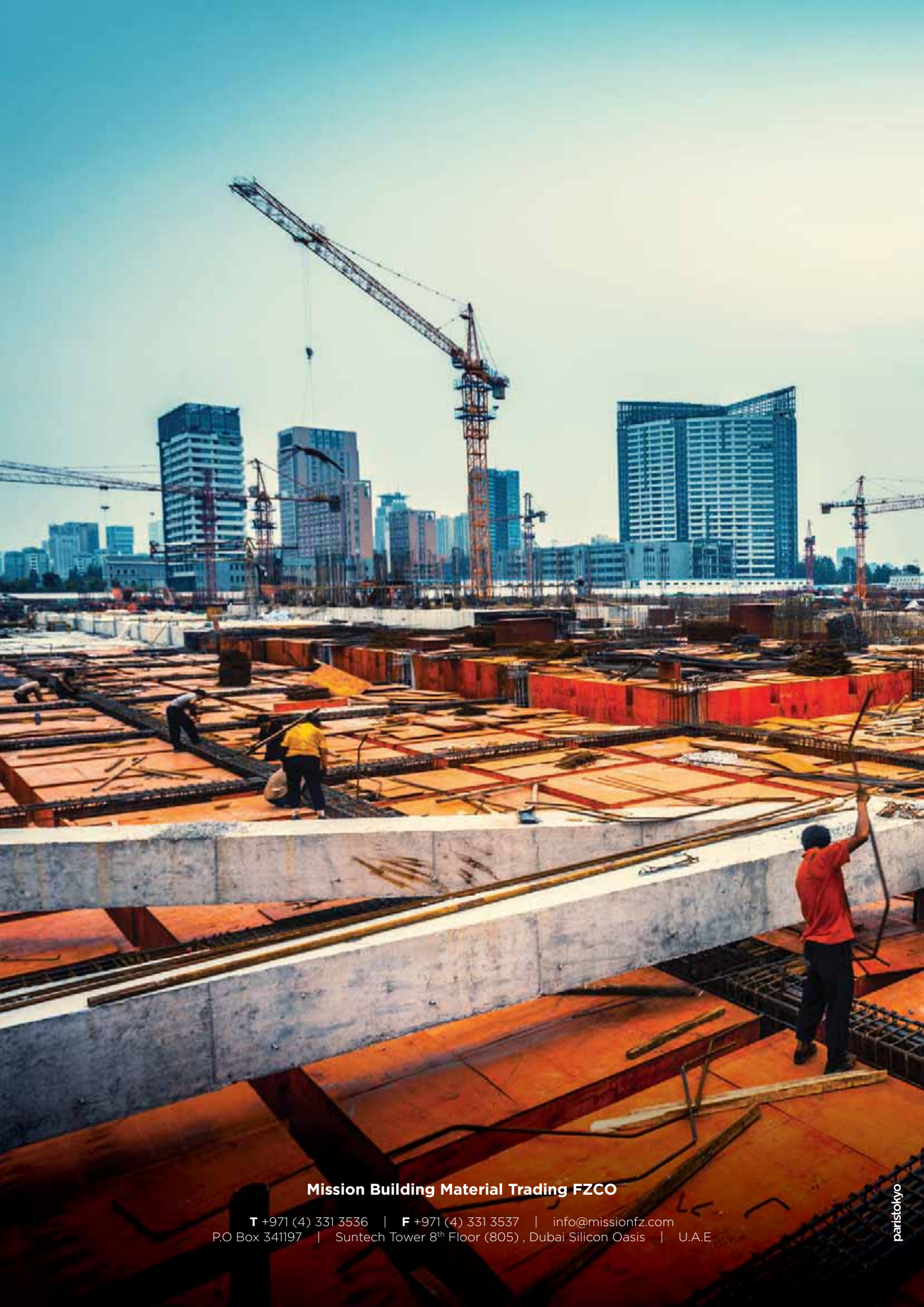
CUMMINS GENERATORS Power Rating: 40kva to 1000kva

Cummins Inc., a global power leader, is a corporation of complementary business units that design, manufacture, distribute and service engines and related technologies, including fuel systems, controls, air handling, filtration, emission solutions and electrical power generation systems. Headquartered in Columbus, Indiana (USA), Cummins serves customers in approximately 190 countries and territories through a network of more than 500 Company-owned and independent distributor locations and approximately 5,200 dealer locations. Cummins reported net income of \$755 million on sales of \$14.34 billion in 2008.

Model	Prime Power	Standby Power	Engine	Engine Max Power	Alternator	Alternator Power
	(KVA)	(KVA)	(PERKINS)	(KVA)	(STAMFORD)	(KVA)
MCS40-1	40	44	4BT3.9-G2	50	BCI 184J	42
MCS62-1	62	69	4BTA3.9-G2	69	UCI 224F	72
MCS95-1	95	105	6BT5.9-G2	115	UCI 274C	100
MCS112-1	112	125	6BTA5.9-G2	145	UCI 274D	120
MCS125-1	125	137	6BTA5.9-G	162	UCI 274E	140
MCS150-1	150	168	6CTA8.3-G2	220	UCI 274F	160
MCS185-1	185	206	6CTA8.3-G2	220	UCI 274H	200
MCS200-1	200	225	6CTAA8.3-G	255	UCD 274J	230
MCS250-1	250	275	6LTAA8.9-G2	300	UCD 274K	250
MCS260-1	260	275	MTA11-G2A	321	HCI444C	250
MCS312-1	312	350	MTAA11-G3	387	HCI444ES	325
MCS300-1	300	330	NTA855-G1	363	HCI444D	300
MCS350-1	350	387	NTA855-G4	438	HCI444E	350
MCS375-1	375	412	NTA855-G7	471	HCI444FS	380
MCS400-1	400	440	KTA19-G2	461	HCI444F	400
MCS450-1	450	495	KTA19-G3	560	HCI544C	500
MCS500-1	500	550	KTA19-G4	630	HCI544C	500
MCS585-1	585	650	KTAA19-G6	712	HCI544E	610
MCS620-1	620	687	KTAA19-G6A	762	HCI544FS	625
MCS740-1	740	825	KTA38-G2	913	LVI634B	750
MCS1000-1	1000	1100	KTA38-G5	1212	HCI634J	1030



NOTES _____



Mission Building Material Trading FZCO

T +971 (4) 331 3536 | F +971 (4) 331 3537 | info@missionfz.com
P.O Box 341197 | Suntech Tower 8th Floor (805) , Dubai Silicon Oasis | U.A.E

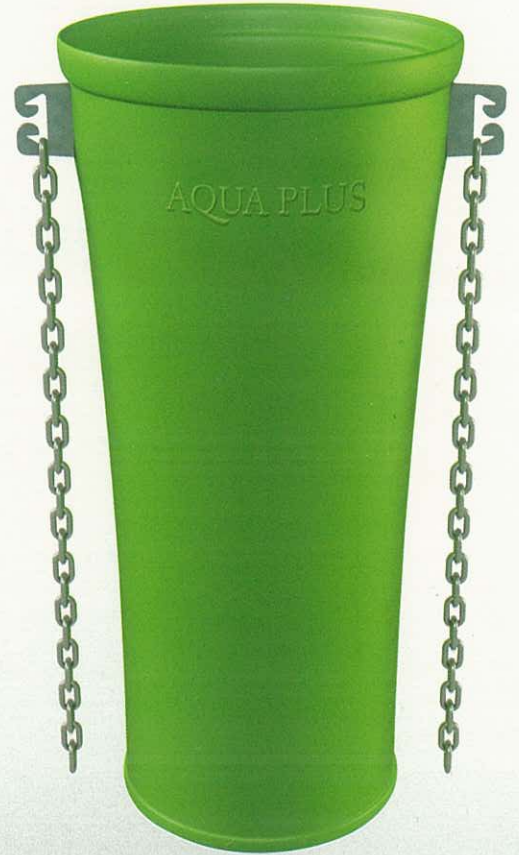
AQUA PLUS

HDPE REFUSE CHUTES

Innovative • Durable • Reliable



M-Hopper



Rubbish Chute

Why should you use our Refuse Chutes?

- Injection moulded using top quality High Density Polyethylene
- Robust materials and Impact resistant
- Light weight and UV resistant
- Keeps dust and noise level to the minimal
- Reduces accidents and provides safe working environment for staff, workers and visitors
- Easily assembled as well as dismantled
- Reusable for your next project
- Easily stored and transported
- Minimizes Wear & Tear
- User friendly

Technical Data

Rubbish Chute

Material: HDPE
Weight: 9Kg
Colour: Green
Total Length: 1170mm
Working Length: 1070mm
Diameter (Top): 540mm
Diameter (Bottom): 460mm
Impact Strength: 27.6 KGF-CM/CM²
Tensile Strength: 276.2 KGF/CM²
Elastic Coefficient: 8000 KGF/CM²
Bending Strength: 250.3 KGF/CM²
Moisture Absorption: <0.01%
Rockwell Hardness: Shore 70D
Specific Gravity: 0.95

M-Hopper

Material: HDPE
Body: Steel Intake
Weight: 15Kg

Accessories

For Rubbish Chute

Ear Piece
Chain

For M-Hopper

Ear Piece
Chain
Metal Plate Complete
Metal Strip
Bolts & Nuts

For Brackets

Wedge Anchor Bolt
M10 x 90

میشن بیلڈینگ مٹیریل ش م ح

MISSION BUILDING MATERIAL TRADING FZCO

Dubai Silicon Oasis, Suntech Tower Office 805 P.O. Box: 341197, Dubai, U.A.E

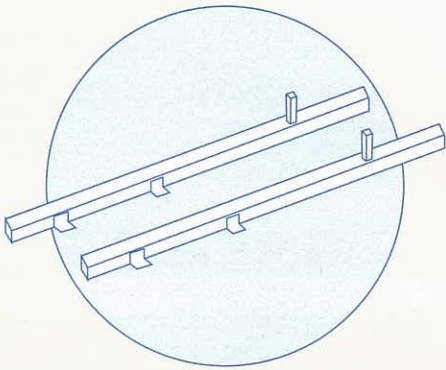
Tel: +971 4 331 3536 Fax: +971 4 331 3537

E-mail: info@missionfz.com Website: www.missionfz.com

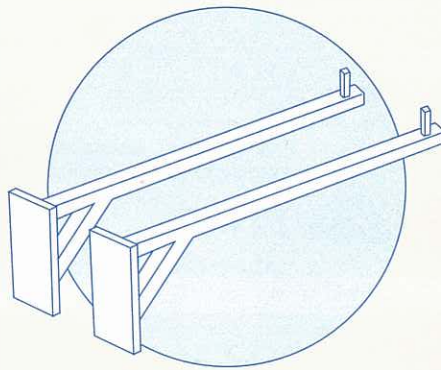
MISSION
BUILDING MATERIAL TRADING FZCO

Easy Setup with **AQUA PLUS**

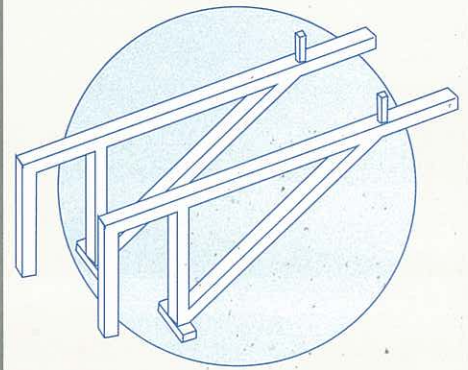
Multiple types of mounting which allows Flexibility



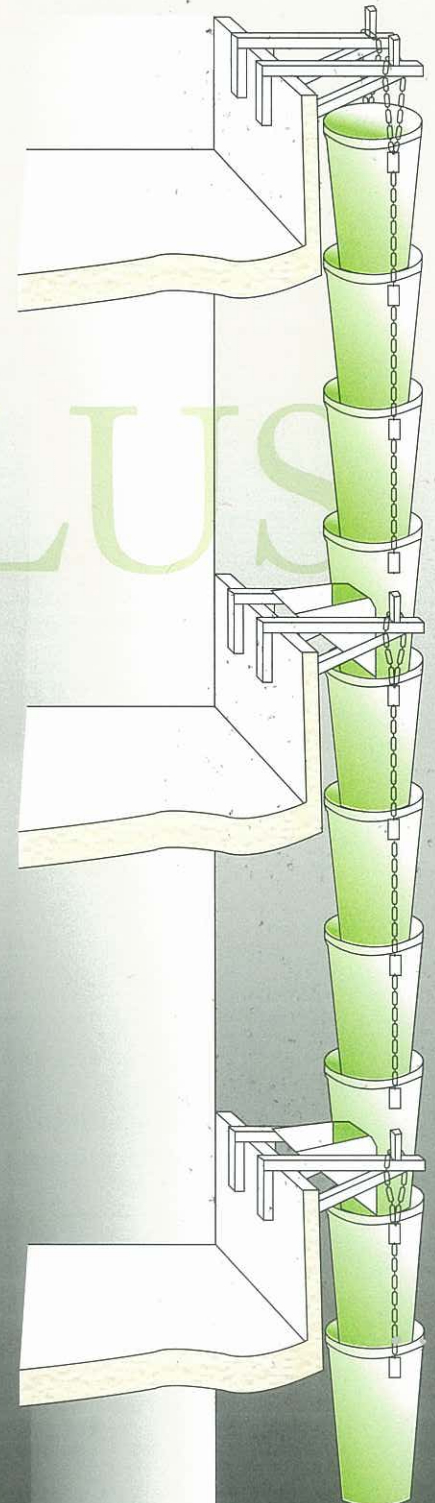
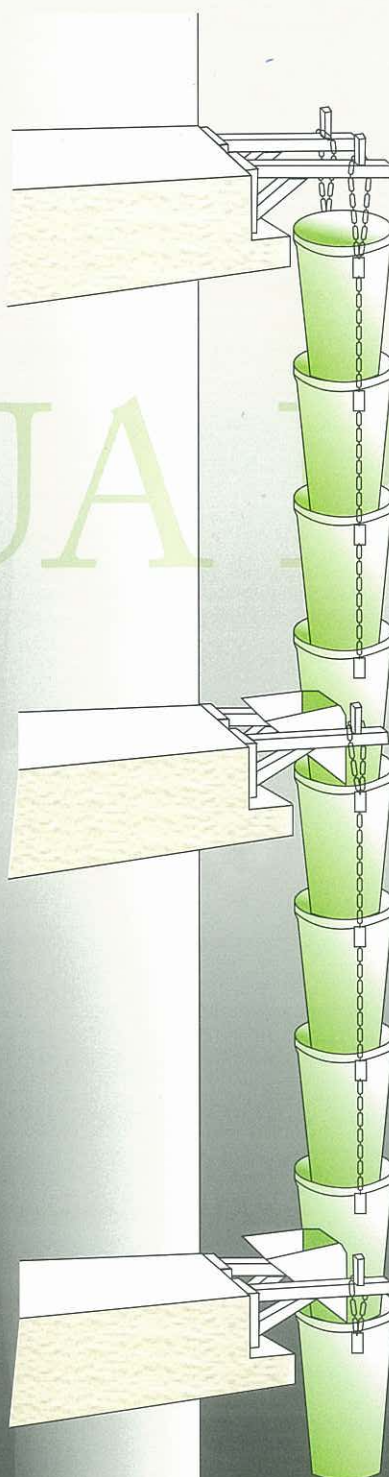
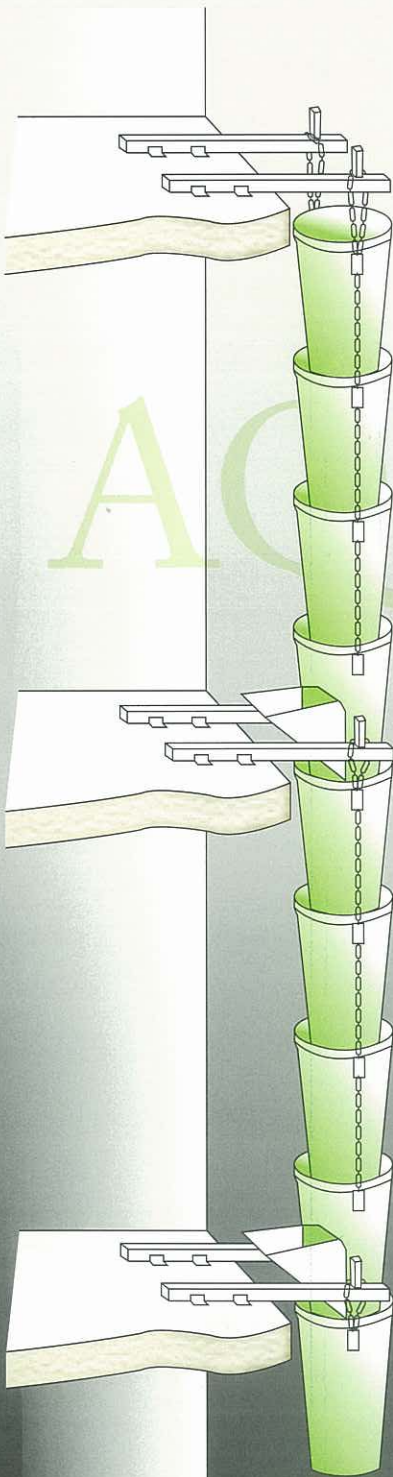
Floor Bracket



Beam Bracket



Parapet Bracket



AQUA PLUS